

**LAVASTOVIGLIE SOTTOTAVOLO
UNDERCOUNTER DISHWASHER****WT37 / WT38**

Code	Type	Ref.	Pagina/ Page	Code	Type	Ref.	Pagina/ Page
PRESSIONE				ATMOSFERICA			
502019	WT38PM50	t	2 3 5 6	502126	WT38C60	x	2 3 4 6
502346	WT38PM60	s	2 3 5 6	502127	WT38CUK	y	2 3 4 6
ATMOSFERICA				502129	WT38 / 4.5NW	a1	2 3 4 6
502007	WT38TDE	p	2 3 4 6	502217	WT38 UK	g	2 3 4 6
502008	WT38/M50	l	2 3 4 6	502218	WT37J60	n	2 3 4 6
502020	WT37LEV/9	u	2 3 4 6	502219	WT37J50	o	2 3 4 6
502029	WT38M50/4	q	2 3 4 6	502321	WT38 / 60	h	2 3 4 6
502110	WT38 DD	a	2 3 4 6	502322	WT38 / M60	k	2 3 4 6
502111	WT37	b	2 3 4 6	502323	WT38 MED	m	2 3 4 6
502112	WT38	c	2 3 4 6	502347	WT38M60/4	r	2 3 4 6
502117	WT37 / 4.5	d	2 3 4 6	502514	WT38WL	z	2 3 4 6
502118	WT38 / 4.5	e	2 3 4 6	698026	FL620EAG	a2	2 3 4 6
502122	WT37 UK	f	2 3 4 6				
502125	WT38C	v	2 3 4 6				

Pagina/ Page**Indice/ index**

2	Vista generale / Main view
3	Componenti idraulici / Hydraulic components
4	Circuito idraulico atmosferico / Atmospheric plumbing circuit
5	Circuito idraulico a pressione / Pressurized plumbing circuit
6	Componenti elettrici / Electrical components
7 - 16	Lista ricambi / Spare parts list

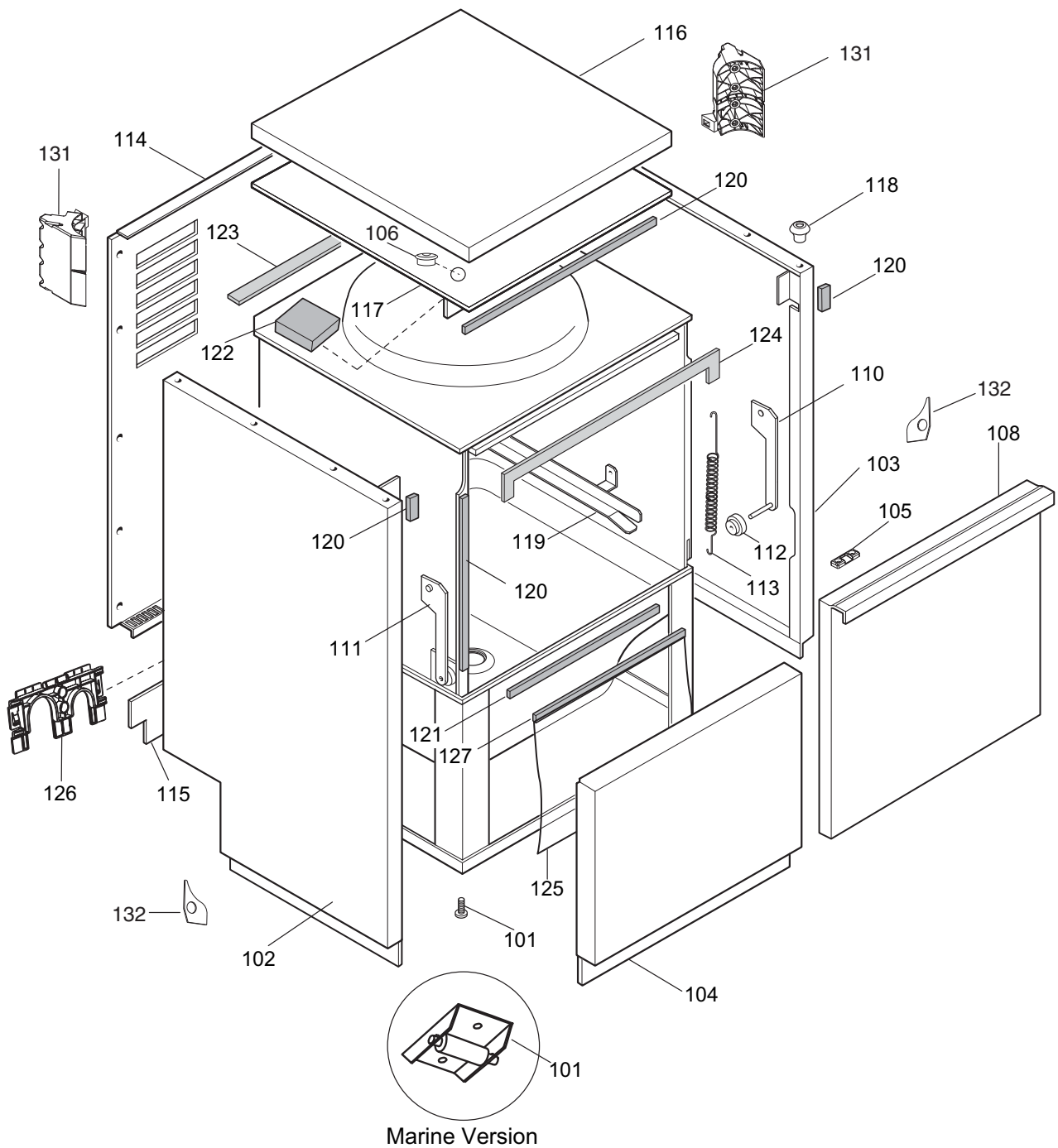
Marchio/ Brand: E
Paese/ Country: Tutti/ All

Da Ser.Nr./From Ser.nr.: /214....

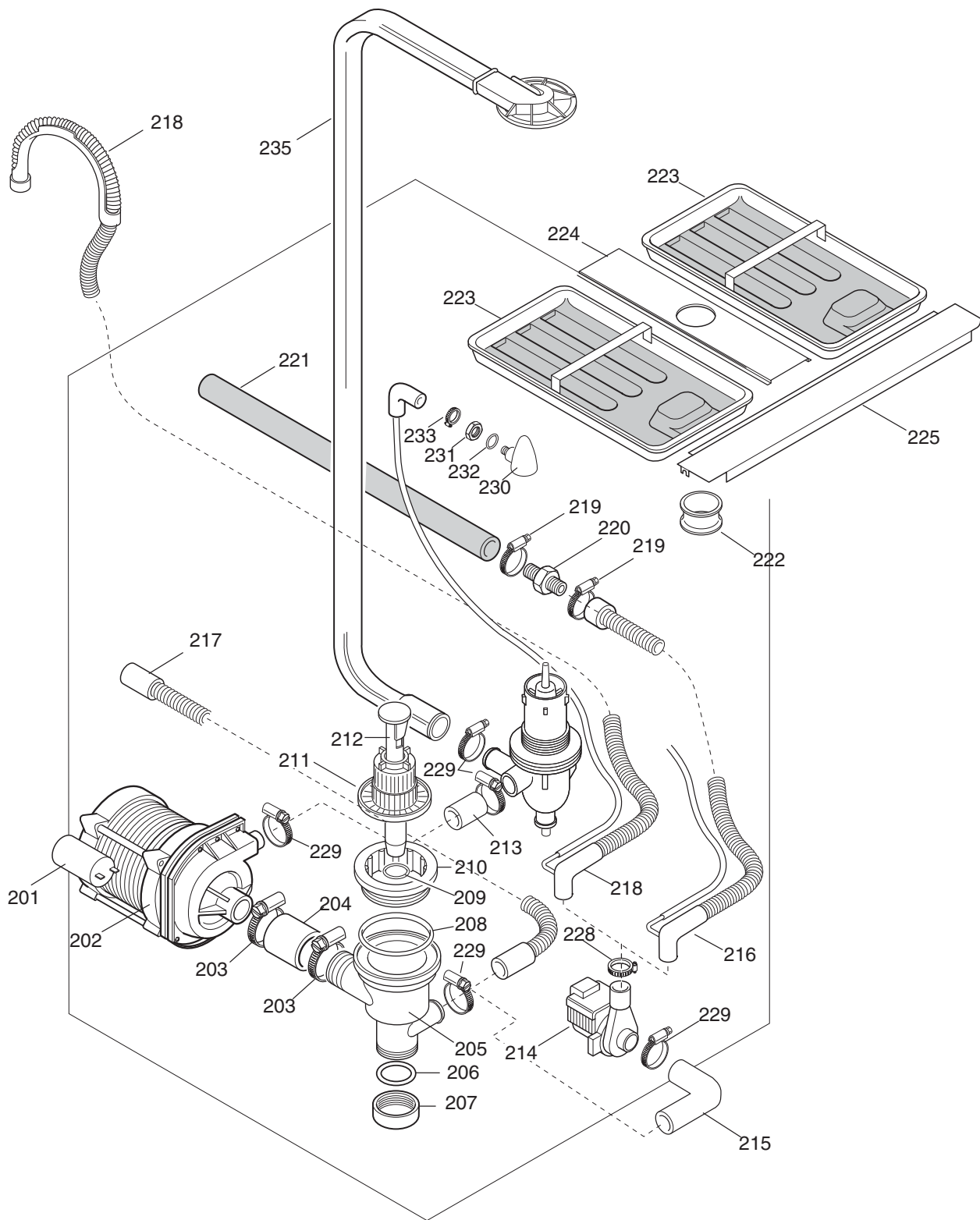
Page: 1

Ed.2015-07

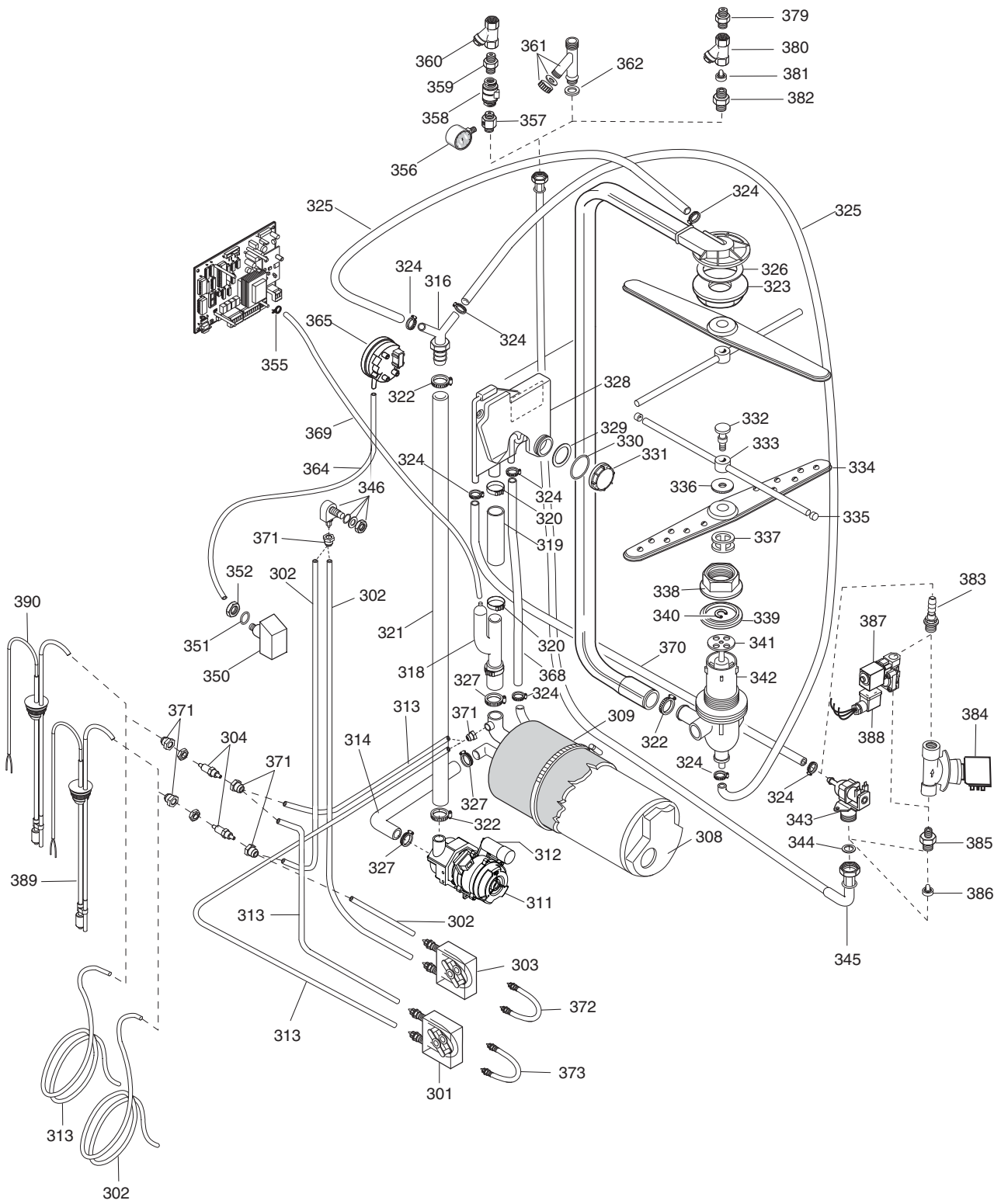
Doc. Nr.: 6-11 803



ill. 611803p2
 Vista generale / Main view

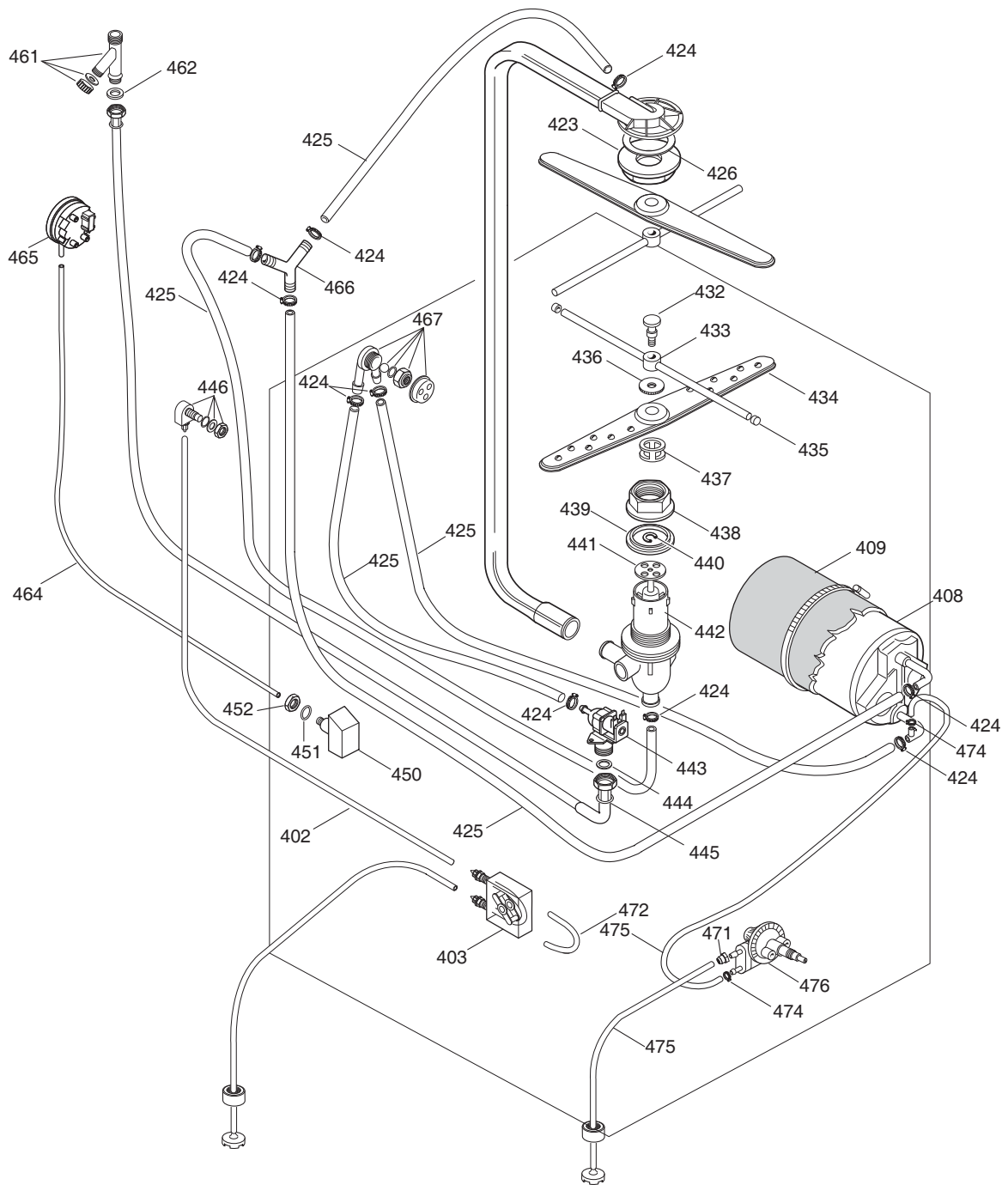


ill. 611803p3
 Componenti idraulici / Hydraulic components



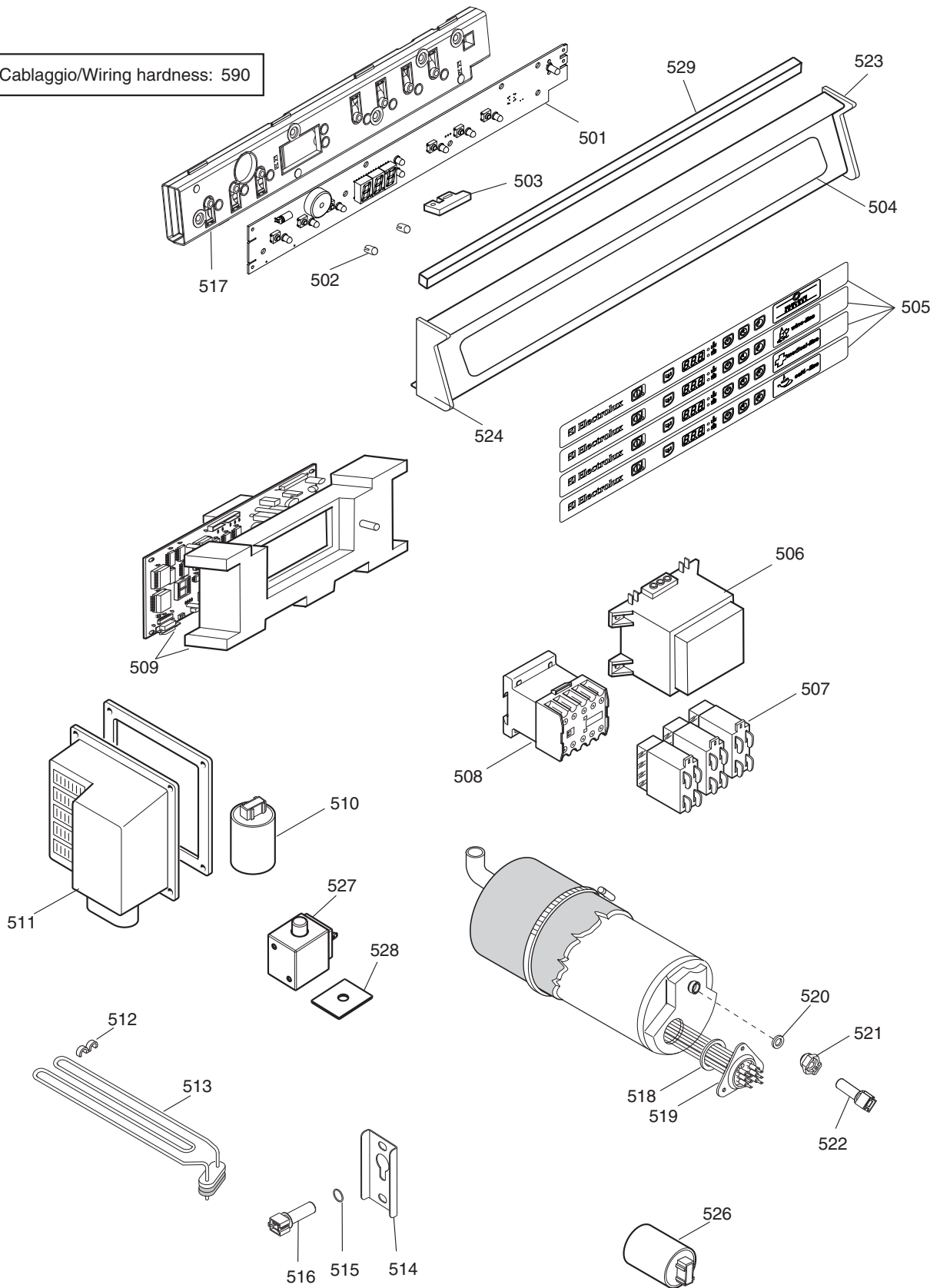
III. 611803p4NEW
Circuito idraulico atmosferico / Atmospheric plumbing circuit

Da Ser.Nr./From Ser.nr.: /214....



ill. 611803p5
Circuito idraulico a pressione / Pressurized plumbing circuit

* Cablaggio/Wiring harness: 590



ill. 611803p6
Componenti elettrici / Electrical components

Da Ser.Nr./From Ser.nr.: /214....

Page: 6

Ed.2008-02

Doc. Nr.: **6-11 803**

LAVASTOVIGLIE SOTTOTAVOLO WT37 / WT38 UNDERCOUNTER DISHWASHER WT37 / WT38				Grassetto = variazioni Bold Print = changes
Pos.	Cod.ric. Part No.	Descrizione	Description	Note / Notes
		Pagina 2: Vista generale	Page 2: Main view	ill. 611803p2
101	046407	Piedino regolabile	Adjustable foot	a,b,c,d,e,f,g,h,m,n,o,p,u,a1,a2 Up to ser. nr.: 244
101	049393	Piedino regolabile	Adjustable foot	a,b,c,d,e,f,g,h,m,n,o,p,u,a1,z,a2 From ser. nr.: 245
101	0L0118	Piede a rullo	Roller	k,l,p,q,r,s,t,u,v,x,y
102	049906	Pannello laterale; sx	Side panel; left	Up to ser. nr.: 244
102	0L0105	Pannello laterale; sx	Side panel; left	From ser. nr.: 245 Up to Ser. Nr. 710
102	0L1385	Pannello laterale; sx	Side panel; left	From Ser. Nr. 711
103	049907	Pannello laterale; dx	Side panel; right	Up to ser. nr.: 244
103	0L0106	Pannello laterale; dx	Side panel; right	From ser. nr.: 245 Up to Ser. Nr. 710
103	0L1386	Pannello laterale; dx	Side panel; right	From Ser. Nr. 711
104	0L1312	Pannello frontale	Front panel	Up to Ser. Nr.: 806
104	0L1313	Pannello frontale	Front panel	From Ser. Nr.: 807
105	0L0532	Fermo porta	Door catch	p
106	0L0533	Tappo	Plug	p
108	0L0782	Porta	Door	not for "p" - Up to Ser. Nr.: 723
108	0L0783	Porta	Door	not for "p" - From Ser. Nr.: 724
108	0L0534	Porta	Door	p - Up to Ser. Nr.: 723
108	0L1252	Porta	Door	p - From Ser. Nr.: 724
110	048813	Ass. Leva DX	Assembly Lever right	Up to ser. nr.: 526
110	0L0717	Ass. Leva DX	Assembly Lever right	From ser. nr.: 527
111	048814	Ass. Leva SX	Assembly Lever left	Up to ser. nr.: 526
111	0L0718	Ass. Leva SX	Assembly Lever left	From ser. nr.: 527
112	048812	Bronzina	Bushing	
113	048815	Molla Porta	Door spring	
114	049871	Schienale	Rear panel	not for "s,t,u" - Up to ser. nr.: 244
114	0L0115	Schienale	Rear panel	not for "s,t,u" - From S.N. 245 Up to S.N. 710
114	0L0109	Schienale	Rear panel	s,t - Up to Ser. Nr. 710
114	0L1416	Schienale	Rear panel	u,a,b,c,d,e,v,x,a1,n,o,h,m,z From Ser. Nr. 711
114	0L1648	Schienale	Rear panel	s,t,l,q,k,r - From Ser. Nr. 711
114	0L1417	Schienale	Rear panel	p,y,g,a2 - From Ser. Nr. 711
114	0L0476	Schienale	Rear panel	u,v,x,y - Up to Ser. Nr. 710
115	049872	Traversino	Lower rear cover	Up to ser. nr.: 244
116	049929	Coperchio	Top panel	Up to ser. nr.: 244
116	0L0108	Coperchio	Top panel	Not for "a1" - From S.N. 245 Up to S.N. 710
116	0L0107	Coperchio	Top panel	a1 - Up to Ser. Nr. 710
116	0L0745	Coperchio	Top panel	For All - From Ser. Nr. 711
117	049875	Protezione superiore	Upper protection	Up to ser. nr.: 244
117	0L0104	Protezione superiore	Upper protection	From ser. nr.: 245 Up to Ser. Nr. 710

LAVASTOVIGLIE SOTTOTAVOLO WT37 / WT38 UNDERCOUNTER DISHWASHER WT37 / WT38				Grassetto = variazioni Bold Print = changes	
Pos.	Cod.ric. Part No.	Descrizione	Description	Note / Notes	
117	OL1422	Protezione superiore	Upper protection	From Ser. Nr. 711	
117	OL0535	Protezione superiore	Upper protection	p - Up to Ser. Nr. 710	
117	OL1423	Protezione superiore	Upper protection	p - From Ser. Nr. 711	
118	047511	Piolino	Pin		
119	OL0516	Ass. supporto Cesto	Support; for basket	From ser. nr.: 414	
119	049493	Ass. supporto Cesto sx	Support; for basket	Up to ser. nr.: 413	
119	048466	Ass. supporto Cesto dx	Support; for basket	Up to ser. nr.: 413	
119	OL0516	Ass. supporto Cesto	Support; for basket	From ser. nr.: 414	
120	049930	Profilo adesivo 15x3	Gasket	Up to ser. nr.: 244	
120	OL0113	Profilo adesivo	Gasket	From ser. nr.: 245	
121	049931	Velcro Autoad. Maschio su vasca	Stik	k,l,p,q,r,s,t	
122	OL0114	Pannello di rinforzo	Insulation	From ser. nr.: 245	
123	0E5559	Guarnizione	Gasket		
124	049932	Guarnizione; cornice vasca	Gasket door	a,b,c,d,e,f,g,h,m,n,o,u,v,x,y,a1,z,a2	
124	049892	Guarnizione; cornice vasca	Gasket door	k,l,q,r,s,t	
124	OL0536	Guarnizione; cornice vasca	Gasket door	p	
125	OL0531	Prot.Poliest.Trasp. 520X320	Gasket	k,l,p,q,r,s,t	
126	OL0112	Copertura passatubi	Hoses protection	From ser. nr.: 245	
127	049931	Velcro Autoad. Femmina PVC	Stik	k,l,p,q,r,s,t	
131	OL0762	Supporto angolare	Angular support	From Ser. Nr. 711 Up to Ser. Nr. 710	
132	049362	Raccogliocce	Drip guard		
		Pagina 3: Componenti idraulici	Page 3: Hydraulic components	ill. 611803p3	
201	0A2914	Condensatore per pompa lavaggio	Capacitor; 16µF		
202	049885	Pompa Lavaggio 60Hz	Wash pump 60Hz	Up to Ser. Nr: 4281 h,x	
202	OL3396	Pompa Lavaggio 60Hz	Wash pump 60Hz	From Ser. Nr: 4291 h,x	
202	049916	Pompa Lavaggio 60Hz	Wash pump 60Hz	Up to Ser. Nr: 4281 k,r,s	
202	OL3398	Pompa Lavaggio 60Hz	Wash pump 60Hz	From Ser. Nr: 4291 k,r,s	
202	049876	Pompa Lavaggio 50Hz	Wash pump 50Hz	Up to Ser. Nr: 4281 a,b,c,d,e,f,g,m,p,u,v,y,a1,z,a2	
202	OL3395	Pompa Lavaggio 50Hz	Wash pump 50Hz	From Ser. Nr: 4291 a,b,c,d,e,f,g,m,p,u,v,y,a1,z,a2	
202	OL0342	Pompa Lavaggio	Wash pump	Up to Ser. Nr: 4281 n - 60Hz	
202	OL3400	Pompa Lavaggio	Wash pump	From Ser. Nr: 4291 n - 60Hz	

LAVASTOVIGLIE SOTTOTAVOLO WT37 / WT38 UNDERCOUNTER DISHWASHER WT37 / WT38				Grassetto = variazioni Bold Print = changes
Pos.	Cod.ric. Part No.	Descrizione	Description	Note / Notes
202	0L0345	Pompa Lavaggio	Wash pump	Up to Ser. Nr: 4281 o - 50Hz
202	0L3399	Pompa Lavaggio	Wash pump	From Ser. Nr: 4291 o - 50Hz
202	049896	Pompa Lavaggio	Wash pump	Up to Ser. Nr: 4281 l,q,t - 50Hz
202	0L3397	Pompa Lavaggio	Wash pump	From Ser. Nr: 4291 l,q,t - 50Hz
203	046878	Fascetta 38-50	Hose clamp 38-50	
204	045768	Tubo Gomma 45x55	Hose	
205	048325	Coll. Asp. Scarico	Drain manifold	
206	049828	Guarniz. Tappo Ter. Sc.	Gasket	
207	046596	Tappo Terminale Sc.	Plug; for manifold	
208	049894	OR 4*110 Asp Sc.	O Ring	
209	046799	OR Troppo Pieno	O Ring	
210	048326	Ghiera collettore Asp. Sc.	Ring nut; for manifold	
211	048324	Filtro Asp. Pompa	Filter; for pump	
212	048323	Troppo pieno	Overflow pipe	b,d,f,n,o,u
212	048842	Troppo pieno	Overflow pipe	a,c,e,g,h,k,m,p,r,s,v,x,y,a1,z,a2
213	046257	Tubo 42x52	Hose	
214	048844	Pompa scarico	Drain pump	a,c,e,g,l,m,p,q,t,v,y,a1,z,a2 - 50hz Up to ser. nr.: 518
214	0L0690	Pompa scarico	Drain pump	a,c,e,g,l,m,p,q,t,v,y,a1,z,a2 - 50hz From ser. nr.: 519
214	048939	Pompa scarico	Drain pump	h,k,r,s,x - 60hz Up to ser. nr.: 520
214	0L0527	Pompa scarico	Drain pump	h,k,r,s,x - 60hz From ser. nr.: 521
215	049877	Manicotto asp. scarico	Coupling; drain	a,c,e,g,h,k,m,p,r,s,v,x,y,a1,z,a2
216	049933	Tubo Scarico	Drain pipe	k,l,q,r
216	049878	Tubo Scarico	Drain pipe	s,t
217	049856	Tubo Scarico	Drain pipe	b,d,f,n,o,u
218	049878	Tubo Scarico	Drain pipe	a,c,e,g,h,m,p,v,x,y,a1,z,a2
219	049445	Fasc.Torro 16-27/9	Clip	
220	049934	Raccordo coll.tubo marine	Connection	k,l: Up to Ser. Nr. 649
220	0L1379	Raccordo coll. tubo marine	Connection	k,l,q,r: From Ser. Nr. 650
221	049470	Tubo Pvc	Pipe	
222	0L0078	Supporto Filtro	Filter support	
223	049908	Ass.Filtro Vasca	Tank filter	
224	049935	Supporto Centr. Filtri	Support; filters	
225	049936	Supp. Ant. Filtri	Support; filters	
228	047578	Fascetta 26-38 9MM	Hose clamp 26-38	
229	046878	Fascetta 28-50	Hose clamp 38-50	
230	048853	Nasello per vasca	Spigot; air relief	a,c,e,g,h,m,p,v,x,y,a1,z,a2
231	049268	Dado ES.M14X1,5	Nut; M14x1,5	a,c,e,g,h,m,p,v,x,y,a1,z,a2
232	068642	OR 3062; 2,62X15,54	O Ring	a,c,e,g,h,m,p,v,x,y,a1,z,a2

LAVASTOVIGLIE SOTTOTAVOLO WT37 / WT38 UNDERCOUNTER DISHWASHER WT37 / WT38			Grassetto = variazioni Bold Print = changes	
Pos.	Cod.ric. Part No.	Descrizione	Description	Note / Notes
233	046946	Fasc. Torro. W2 8-12/7,5 IVP	Hose clamp 8-12	a,c,e,g,h,m,p,v,x,y,a1,z,a2
235	048822	Ass tubo Lavaggio	Hose	Up to ser. nr.: 244
235	0L0095	Ass tubo Lavaggio	Hose	From ser. nr.: 245
		Pagina 4: Circuito idraulico atmosferico	Page 4: Atmospheric plumbing circuit	ill. 611803p4NEW not for "s,t"
301	049625	Pompa perist. Brillantante	Pump; rinse aid	Not for "u,a1" - Up to ser. nr.: 521
301	0L0697	Pompa perist. Brillantante	Pump; rinse aid	Not for "u,a1" - From ser.nr.:522
302	049905	Tubo mandata; rigido (bianco)	Delivery hose; rigid (white)	
303	049624	Pompa perist. Detergente	Pump; detergent	a,f,g,l,k,p,q,r,v,x,y,z,a2 Up to ser. nr.: 521
303	0L0696	Pompa perist. Detergente	Pump; detergent	a,f,g,l,k,p,q,r,v,x,y,z,a2 From ser. nr.: 522
304	0L0478	Connessione	Connection	u,v,x,y
308	049902	Boiler atmosferico	Boiler	Up to ser. nr.: 317
308	0L0283	Boiler atmosferico	Boiler	From ser. nr.: 318
309	048447	Isolante per boiler	Insulation; for boiler	
311	049310	Pompa risc. 230V 50Hz	Rinse pump	a,b,c,d,e,f,g,m,p,u,v,y,a1,a2 Up to ser. nr.: 607
311	0L1079	Pompa risc. 230V 50Hz	Rinse pump	a,b,c,d,e,f,g,m,p,u,v,y,a1,z,a2 From ser. nr.: 608
311	0L0020	Pompa risc. 200V 60Hz	Rinse pump	n - Up to ser. nr.: 607
311	0L1099	Pompa risc. 200V 60Hz	Rinse pump	n - From ser. nr.: 608
311	049965	Pompa risc. 200V 50Hz	Rinse pump	o - Up to ser. nr.: 607
311	0L1102	Pompa risc. 200V 50Hz	Rinse pump	o - From ser. nr.: 608
311	049612	Pompa risc. 220V 60Hz	Rinse pump	h,x - Up to ser. nr.: 607
311	049813	Pompa risc. 440V 60Hz	Rinse pump	k,r - Up to ser. nr.: 607
311	0L1100	Pompa risc. 220V 60Hz	Rinse pump	h,x - From ser. nr.: 608
311	0L1101	Pompa risc. 440V 60Hz	Rinse pump	k,r - From ser. nr.: 608
312	049260	Condensatore per pompa risc.	Capacitor	6,3 µF - k,r,n,o,
312	083406	Condensatore per pompa risc.	Capacitor	5,0 µF a,b,c,d,e,f,g,m,p,u,v,y,h,x,a1,z,a2
313	0L0481	Tubo brillantante (blu)	Rinse aid pipe (blue)	
314	049880	Manicotto asp. Risciaquo	Coupling; rins	Up to ser. nr.: 607
314	0L1108	Manicotto asp. Risciaquo	Coupling; rins	From ser. nr.: 608
316	049289	Raccordo 3 vie d.27	Connection 3 way; diam 27-12	Up to ser. nr.: 329
316	0L0365	Raccordo 3 vie d.27	Connection 3 way; diam 27-12	From ser. nr.: 330
318	049628	Trappola D'aria; boiler	Air trap; boyler	Up to ser. nr.: 244
318	0L0098	Trappola D'aria; boiler	Air trap; boyler	From ser. nr.: 245
319	049287	Tubo EPDM 25.5x32	Hose; diam 25	
320	049772	Fascetta Elastica	Hose clamp	Up to ser. nr.: 329
320	0L0367	Fascetta Cobra	Hose clamp	From ser. nr.: 330
321	049773	tubo 26x37	Hose	Up to ser. nr.: 244
321	0L0117	tubo 26x37	Hose	From ser. nr.: 245
322	046878	Fascetta a vite 35 -50	Hose clamp 35-50	

LAVASTOVIGLIE SOTTOTAVOLO WT37 / WT38 UNDERCOUNTER DISHWASHER WT37 / WT38				Grassetto = variazioni Bold Print = changes
Pos.	Cod.ric. Part No.	Descrizione	Description	Note / Notes
323	048824	Ghiera Supp. Getti Sup.	Ring nut	
324	048126	Fascetta a vite 13 -20	Hose clamp 13-20	
325	048531	Tubo EPDM 12x19.5	Hose	
326	048823	Guarnizione Supp. Getti Sup.	Gasket	Up to ser. nr.: 244
326	0L0110	Guarnizione Supp. Getti Sup.	Gasket	From ser. nr.: 245
327	047578	Fascetta 26-38	Hose clamp 26-38	
328	049459	Air Gap std	Air gap	a,b,c,d,e,h,l,k,m,n,o,q,r,u,v,x,a1,z
328	049481	Air Gap UK	Air gap; WRC	f,g,p,y,a2
329	049828	Guarnizione per AG	Gasket	
330	049460	OR per Ghiera AG	O Ring	
331	049480	Ghiera per A.G.	Ring nut	
332	048290	Perno risciaquo	Pin; for rinse jets	
333	048716	Ass. Portagetti Risc.	Rinse jet	
334	0L0598	Ass. Getti Lavavaggio	Washing arms assembly	
335	048714	Tappo Getti risc.	Plug	
336	048632	Rondella di Fermo Lavaggio	Lock washer	
337	048401	Mozzo per Getti Lav.	Hub	
338	048330	Ghiera Fiss. Supp. Getti	Ring nut	
339	048236	Guarnizione LS7 e 8	Gasket	
340	048979	Seger	C-Clamp	
341	048820	Parzializzatore	Flow reducer	
342	048819	Supp. Getti Inf.	Jets support; lower	
343	049452	Elettrovalvola; 5,5 l/min	El.valve; 5,5 l/min	f,g,a2 - Up to ser. nr.: 237
343	0L0121	Elettrovalvola; 5,5 l/min	El.valve; 5,5 l/min	f,g,a2 - From ser. nr.: 238 Up to ser. nr.: 427
343	0L0567	Elettrovalvola; 5,5 l/min	Electric valve; 5,5 l/min	f,g,a2 - From ser. nr.: 428
343	049626	Elettrovalvola; 10 l/min	Electric valve; 10 l/min	a,b,c,d,e,h,k,l,m,q,r,u,a1 Up to ser. nr.: 427
343	0L0568	Elettrovalvola; 10 l/min	Electric valve; 10 l/min	a,b,c,d,e,h,k,l,m,q,r,u,a1,z From ser. nr.: 428
344	049201	Guarnizione	Gasket; diam 3/4	
345	049540	Ass. Tubo alim. D.	Water inlet pipe, 2100mm	a,b,c,d,e,h,k,l,m,n,o,q,r,u,v,x,a1,z
345	049378	Ass. Tubo alim. UK	Water inlet pipe, WRC, 2100mm	f,g,y,a2
346	049801	Iniettore Det. AISI304	Iniection spigot	
350	048308	Trappola d'aria per pressost.	Air trap	
351	068642	OR 2062x15.54	O Ring	
352	049268	Dado M14x1.5	Nut; M14x1,5	
355	0L0082	Fascetta Elastica su Main Board	Hose clamp	
356	049477	Manometro	Manometer	k,l,q,r
357	049543	Nipplo 3/4 G	Nipple	k,l,q,r
358	049541	Valvola antiriflusso	Valve	k,l,q,r
359	072457	Raccordo 3/4X3/4MM OT	Nipple	k,l,q,r
360	068121	Filtro acqua 3/4	Filter	k,l,q,r
361	048834	Ass.filtro 3/4 G	Filter	a,b,c,d,e,f,g,h,m,p,u,v,x,y,a1,z,a2
362	049201	Guarnizione; diam 3/4	Gasket; diam 3/4	a,b,c,d,e,f,g,h,m,p,uv,x,y,a1,z,a2

Da Ser.Nr./From Ser.nr.: /214....

LAVASTOVIGLIE SOTTOTAVOLO WT37 / WT38 UNDERCOUNTER DISHWASHER WT37 / WT38				Grassetto = variazioni Bold Print = changes
Pos.	Cod.ric. Part No.	Descrizione	Description	Note / Notes
364	048883	Tubo 5x12 gomma	Hose; 5x12	
365	049881	Pressostato	Pressure switch	
368	048531	Tubo EPDM 12x19.5	Hose	
369	072393	Tubo EPDM 4x7.4	Hose	
370	048531	Tubo EPDM 12x19.5	Hose	a,b,c,d,e,h,k,l,m,n,o,q,r,u,v,x,a1,z
370	049379	Tubo gomma 11.5x19.5 WRC	Hose; WRC	f,g,p,y,a2
371	0L0349	Assieme tappo	Plug assembly	
372	049419	Tubo; interno, pompa det.	Hose; internal, det. Pump	
373	049418	Tubo; interno, pompa brill.	Hose;internal, rin. aid pump	
379	072457	Raccordo	Nipple	n,o
380	068121	Assieme filtro acqua	Assembly filter	n,o
381	049650	Parzializzatore 16 l/min	Hydraulic shutter 16 l/min	n,o - Up to ser. nr.: 427
382	049510	Nipplo ottone 3/4"	Brass nipple 3/4"	n,o - Up to ser. nr.: 427
382	072457	Nipplo ottone 3/4"	Brass nipple 3/4"	n,o - From ser. nr.: 428
383	049508	Portagomma	Fitting	n,o - Up to ser. nr.: 427
383	0L0477	Portagomma	Fitting	n,o - From ser. nr.: 428
383	0L0477	Portagomma	Fitting	p,v,x,y
384	0L0318	Elettrovalvola	Electric valve	n,o - Up to ser. nr.: 427
384	0L0570	Elettrovalvola	Electric valve	n,o - From ser. nr.: 428
385	049473	Nipplo ottone 3/4"- 3/8"	Brass nipple 3/4"- 3/8"	n,o - Up to ser. nr.: 427
385	0L0479	Nipplo ottone 3/4"- 3/8"	Brass nipple 3/4"- 3/8"	n,o - From ser. nr.: 428
385	0L0479	Nipplo ottone 3/4"- 3/8"	Brass nipple 3/4"- 3/8"	p,v,x,y
386	0L0170	Parzializzatore 5.5 l/min	Hydraulic shutter 5.5 l/min	p
386	049650	Parzializzatore 10 l/min	Hydraulic shutter 10 l/min	n,o - From ser. nr.: 428
386	049650	Parzializzatore 10 l/min	Hydraulic shutter 10 l/min	v,x,y
387	0L0423	Elettrovalvola	Electric valve	p,v,x,y
388	0L0602	Connettore elettrovalvola	Electric valve connector	p,v,x,y
389	0L0528	Sensore di livello detergente	Detergent float switch	u,v,x,y
390	0L0529	Sensore di livello brillantante	Rinse aid float switch	u,v,x,y
		Pagina 5: Circuito idraulico a pressione	Page 5: Pressurized plumbing circuit	ill. 611803p5 only for "s,t"
402	049360	Tubo mandata; rigido	Delivery hose; rigid	
403	0L0696	Pompa perist. Detergente	Pump; detergent	
408	0L0734	Boiler a pressione	Boiler	
409	048447	Isolante per boiler	Insulation; for boiler	
423	048824	Ghiera Supp. Getti Sup.	Ring nut	
424	048126	Fascetta a vite 13 -20	Hose clamp 13-20	
425	048531	Tubo EPDM 12x19.5	Hose	
426	048823	Guarnizione Supp. Getti Sup.	Gasket	
432	048290	Perno risciacquo	Pin; for rinse jets	
433	048716	Ass. Portagetti Risc.	Rinse jet	
434	0L0598	Ass. getti lavaggio	Washing arms assembly	
435	048714	Tappo Getti risc.	Plug	

LAVASTOVIGLIE SOTTOTAVOLO WT37 / WT38 UNDERCOUNTER DISHWASHER WT37 / WT38				Grassetto = variazioni Bold Print = changes
Pos.	Cod.ric. Part No.	Descrizione	Description	Note / Notes
436	048632	Rondella di Fermo Lavaggio	Lock washer	
437	048401	Mozzo per Getti Lav.	Hub	
438	048330	Ghiera Fiss. Supp. Getti	Ring nut	
439	048236	Guarnizione	Gasket	
440	048979	Anello elastico	Retaining ring	
441	048820	Parzializzatore	Flow reducer	
442	048819	Supp. Getti Inf.	Jets support; lower	
443	0L0566	Elettrovalvola; 20 l/m	Solenoid valve; 20 l/m	
444	049201	Guarnizione	Gasket; DIAM 3/4	
445	048816	Ass.Tubo alimentazione	Pipe; straight + 90 degr, 2100mm	
446	049801	Iniettore Det. AISI304	Iniection spigot	
450	048308	Trappola d'aria per pressost.	Air trap	
451	068642	OR 2062x15.54	O Ring	
452	049268	Dado M14x1.5	Nut; M14x1,5	
461	048834	Ass.filtro 3/4 G	Filter	
462	049201	Guarnizione; diam 3/4	Gasket; diam 3/4	
464	049904	Tubo	Hose	
465	049881	Pressostato	Pressure switch	
466	048195	Raccordo 3 vie	Connection 3 way; diam 12	
467	049332	Valvola DVGW	Solenoid valve	
471	0L0349	Assieme tappo	Plug assembly	
472	049419	Tubo; interno, pompa det.	Hose; internal, det. Pump	
473	049026	Portagomma Brill.	Rubber holder	
474	046946	Fasc. Torro W2 8-12/7,5 IVP	Hose clamp 8-12	
475	048883	Tubo gomma 5X12	Hose; 5x12	
476	0L0094	Dosatore idraulico	Dispenser; for rinse aid	
		Pagina 6: Componenti elettrici	Page 6: Electrical components	ill. 611803p6
501	049897	Interfaccia utente	User Interface	Up to ser. nr.: 317
501	0L0279	Interfaccia utente	User Interface	From ser. nr.: 318 Up to ser. nr.: 330
501	0L0047	Interfaccia utente	User Interface	From ser.nr.: 331 Up to ser. nr.: 421
501	0L0552	Interfaccia utente	User Interface	not for "p" - From ser. nr.: 422 Up to ser. nr.: 523
501	0L0538	Interfaccia utente	User Interface	p - From ser. nr.: 422 Up to ser. nr.: 523
501	0L0726	Interfaccia utente	User Interface	From ser. nr.: 524 Up to Ser. Nr.: 622
501	0L1241	Interfaccia utente	User Interface	From Ser. Nr.: 623 Up to Ser. Nr.: 742
501	0L1565	Interfaccia utente	User Interface	From Ser. Nr.: 743
502	002670	Prolunga pulsante	Extension	Up to Ser. Nr.: 742

LAVASTOVIGLIE SOTTOTAVOLO WT37 / WT38 UNDERCOUNTER DISHWASHER WT37 / WT38			Grassetto = variazioni Bold Print = changes	
Pos.	Cod.ric. Part No.	Descrizione	Description	Note / Notes
503	0L1871	Sensore reed	Sensor	
504	049937	Assieme cruscotto E.lux	Control panel	not for "p" - Up to Ser. Nr. 710
504	0L0779	Assieme cruscotto E.lux	Control panel	not for "p"- From Ser. : 711 Up to Ser. Nr.: 806
504	0L1658	Assieme cruscotto	Control panel	not for "p" - From Ser. Nr.: 807
504	0L0539	Assieme cruscotto	Control panel	p - Up to Ser. Nr. 710
504	0L1401	Assieme cruscotto	Control panel	p - From Ser. Nr. 711 Up to Ser. Nr.: 806
504	0L1659	Assieme cruscotto	Control panel	p - From Ser. Nr.: 807
505	0L0032	Membrana adesiva	Membrane	Not for "m,p,u,v,x,y,a1,z" Up to Ser. Nr.: 806
505	0L1697	Membrana adesiva	Membrane	s,t - From Ser. Nr.: 807
505	0L1650	Membrana adesiva	Membrane	Not for "m,p,s,t,u,v,x,y,a1,z,a2" From Ser. Nr.: 807
505	0L1654	Membrana adesiva	Membrane	a2
505	0L1273	Membrana adesiva	Membrane	z - Up to Ser. Nr.: 806
505	0L1651	Membrana adesiva	Membrane	z - From Ser. Nr.: 807
505	0L1116	Membrana adesiva	Membrane	a1 - Up to Ser. Nr.: 806
505	0L1650	Membrana adesiva	Membrane	a1 - From Ser. Nr.: 807
505	0L0681	Membrana adesiva	Membrane	u,v,x,y - Cafè Line Up to Ser. Nr.: 806
505	0L1657	Membrana adesiva	Membrane	u,v,x,y - Cafè Line From Ser. Nr.: 807
505	0L0281	Membrana adesiva	Membrane	m,p - Medical Line Up to Ser. Nr.: 806
505	0L1652	Membrana adesiva	Membrane	m,p - Medical Line From Ser. Nr.: 807
506	049883	Trasform. 80VA 400..440/230V	Transform. 80VA 400..440/ 230V	k,l,q,r,s,t
506	0L0540	Trasform. 30VA 180/254V	Transform. 30VA 180/254V	p
507	048888	Relé	Relay; 230v, 2 cont, step 5	k,l,q,r,s,t
508	048736	Contattore K209	Contactore; 200V, 50/60Hz, 25A	k,r,s
508	048736	Contattore K209	Contactore; 200V, 50/60Hz, 25A	l,q,t
509	0L1412	Scheda madre	Main board	Up to Ser. Nr.: 820
509	0L1811	Scheda madre	Main board	From Ser. Nr.: 821
510	049303	Filtro RFI trifase	RFI filter; three phase	
511	049618	Morsettiera Princ.	Junction box	Up to ser. 244
511	0L0111	Morsettiera Princ.	Junction box	From ser. 245
512	048429	Fissaggio Res. Vasca	Bracket	
513	049954	Res. Vasca 2kW-230V	Heating element; 230V, 2,0kW	f,g,y,a2
513	048924	Res. Vasca 2.2kW-230V	Heating element; 230V, 2,2kW	a,b,c,d,e,h,m,p,u,v,x,a1,z
513	048925	Res. Vasca 2.2kW-200V	Heating element; 200V, 2,2kW	n,o
513	048998	Res. Vasca 2.2kW-440V	Heating element; 440V, 2,2kW	k,r,s
513	048990	Res. Vasca 2.2kW-400V	Heating element; 400V, 2,2kW	l,q,t
514	049580	Supp Sensore NTC	Support; sensor	Up to ser. nr.: 329
514	0L0366	Supp Sensore	Support; sensor	From ser. nr.: 330
515	046376	OR 2037	O Ring 2037	

LAVASTOVIGLIE SOTTOTAVOLO WT37 / WT38 UNDERCOUNTER DISHWASHER WT37 / WT38			Grassetto = variazioni Bold Print = changes	
Pos.	Cod.ric. Part No.	Descrizione	Description	Note / Notes
516	049643	Sensore NTC	Sensor	
517	0L1567	Copertura interfaccia utente	User interface cover	From Ser. Nr.: 743
518	0E5037	OR 6225	O-Ring	
519	049898	Res. Flangiata 6kW 230V	Heating element 6kW 230V	a,b,c,f,g,h,l,m,p,q,t,y,z,a2
519	049992	Res. Flangiata 9kW 230V	Heating element 9.0kW 230V	u,v,x
519	049899	Res. Flangiata 4.5kW 230V	Heating element 4.5kW 230V	d,e,a1
519	049900	Res. Flangiata 6kW 254V	Heating element 6kW 254V	k,r,s
519	0L0343	Res. Flangiata 4.5kW 200V	Heating element 4.5kW 200V	n,o
520	067898	OR 2025-1,78X6,07	O Ring	Up to ser. nr.: 317
520	046376	OR 2037	O Ring	From to ser. nr.: 318
521	067899	Premistoppa	Stuffing box	Up to ser. nr.: 317
521	0L0280	Premistoppa	Stuffing box	From to ser. nr.: 318
522	049884	Sonda di Temperatura	Temp. sound	Up to ser. nr.: 317
522	049643	Sonda di Temperatura	Temp. sound	From to ser. nr.: 318
523	049939	Guarnizione DX Crusc. El.	Gasket right	Up to Ser.Nr.: 806
523	049925	Guarnizione DX Crusc. El.	Gasket right	From Ser.Nr.: 807
524	049940	Guarnizione SX Crusc. El.	Gasket left	Up to Ser.Nr.: 806
524	049927	Guarnizione SX Crusc. El.	Gasket left	From Ser.Nr.: 807
526	049901	Filtro induttivo-cap.; monofase	filter; single phase	a,b,c,d,e,f,g,h,m,n,o,p,u,v,x,y,a1,z, a2
527	0L0542	Elettromagnete	Electromagnet	p
528	0L0543	Guarnizione elettromagnete	Electromagnet gasket	p
529	0L0544	Guarnizione cruscotto	Control panel gasket	p
590	0L0049	Cablaggio	Wiring harness	not for "l,k,q,r,s,t"
590	0L0050	Cablaggio	Wiring harness	l,k,q,r,s,t - Up to ser. nr.: 237
590	0L0465	Cablaggio	Wiring harness	l,k,q,r,s,t - From ser. nr.: 238
590	0L0545	Cablaggio aggiuntivo	Additional wiring harness	p
590	0L0530	Cablaggio aggiuntivo	Additional wiring harness	u,v,x,y

LAVASTOVIGLIE SOTTOTAVOLO WT37 / WT38
UNDERCOUNTER DISHWASHER WT37 / WT38

Grassetto = variazioni
Bold Print = changes

Pos.	Cod.ric. Part No.	Descrizione	Description	Note / Notes