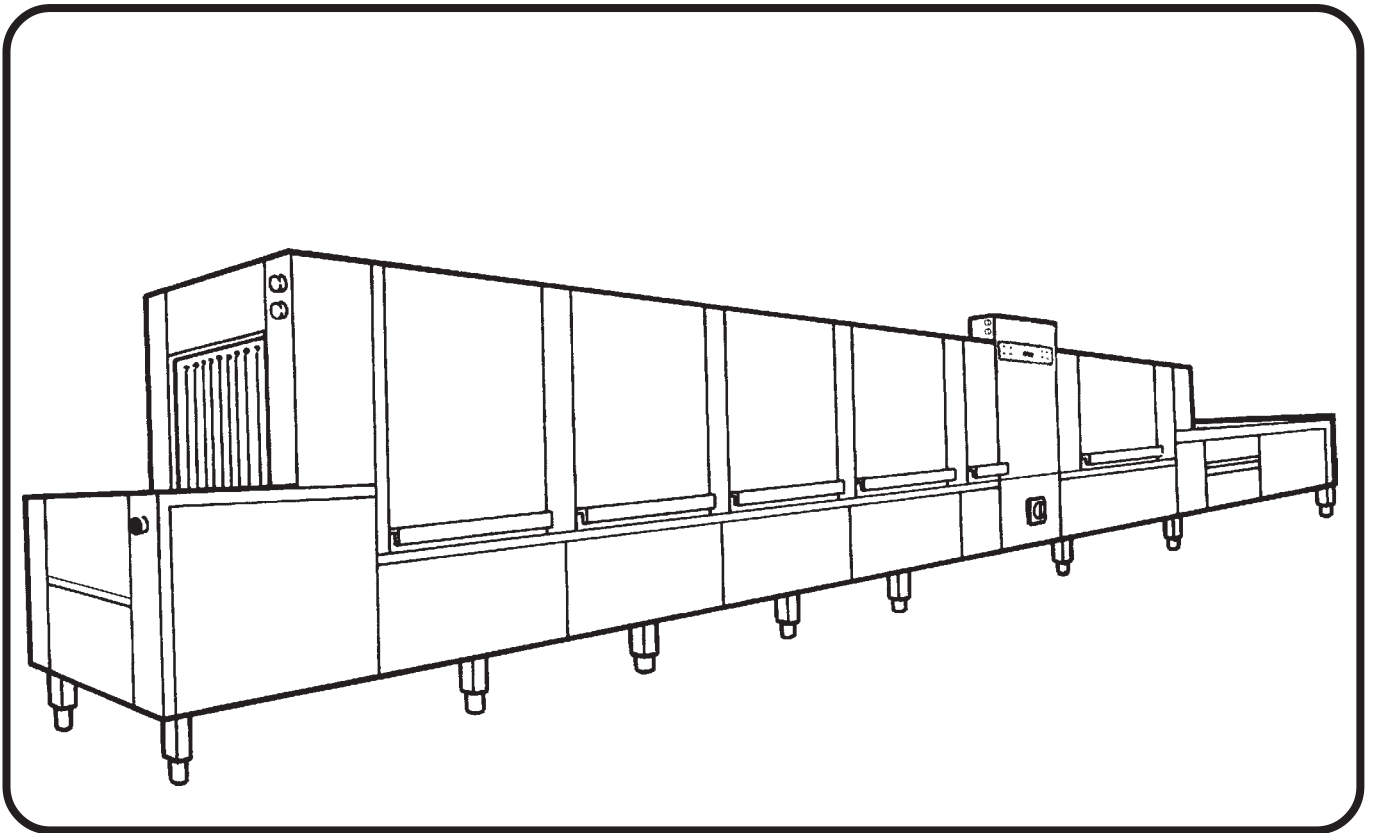


# Spare Parts catalogue

---



WT 730 WTM

WT 760 WTM

WT 790 WTM

---

**Flight type dishwasher**



## TABLE OF CONTENTS

Page

• <b>Load section</b>	- L=900	4-7
• <b>Gate</b>		8-9
• <b>Washtanks</b>	- tank + plates	10-11
	- drain and wash system	12-13
	- heating	14-15
• <b>Final rinse</b>	- tank + plates	16-17
	- wash system	18-21
• <b>Water connections</b>		22-23
• <b>Switch cabinet</b>	- electrical cabinet, integrated	24-29
	- internal electrical cabinet, remote control	30-33
	- external electrical cabinet, remote control	34-37
• <b>Drying tunnel L=1300</b>	- stand + plates	38-39
	- fan + drain	40-41
	- booster - steamheated machine	42-43
• <b>Energy saving device, ESD</b>		44-45
• <b>Feeding</b>		46-47
• <b>Unload section</b>	- L=1800	48-49
• <b>Attachment element</b>		50-52



Load section L=900		Illustration 21560		Edition 4	Month 12	Year 2003
Pos.	Quantity	Art. no	Description	Notes		
1	2	763 91 03-00	Lamp	24V		
2	1	478 05 94-00	Plate			
3	2	482 76 93-00	Curtain attachment			
4	2	490 15 16-00	Curtain attachment	L=600 W=796		
5	1	482 44 99-00	Guard			
6	2	482 76 03-04	Curtain shaft			
7	2	491 48 91-00	Curtain	SgA20		
8	x	552 21 60-00	Plastic strip			
9	2	735 93 02-40	Wedge 8x7x36			
10	2	735 31 22-07	Retaining washer	1/2"		
11	1	491 48 80-00	Sluice			
12	2	464 36 78-02	Wheel			
13	2	428 06 95-00	Spacer loading axel	1/2"		
14	2	552 21 10-03	Gasket			
15	2	741 52 13-24	Plug			
16	1	428 00 49-00	Splash plate	1/2"		
17	1	491 48 94-00	Baffle plate			
18	4	741 11 13-24	Pipe nut			
19	1	552 21 71-00	Hose nipple	1/2"		
20	1	736 28 19-90	Hose clamp			
21	x	552 00 11-00	Hose			
22	2	481 71 96-00	Side plate	Ø24		
23	1	428 06 17-00	Attachment			
24	1	428 06 89-00	Pulse counter inductive			
25	1	428 03 79-00	Pulse generating disk	1/2"		
26	1	428 06 18-00	Spacer			
27	1	428 06 16-00	Cover			
28	2	481 72 84-00	Bearing	3).		
29	2	481 72 79-00	Bearing fastener			
30	2	735 11 53-40	Washer			
31	2	499 66 07-00	Leg	1).		
	2	428 10 18-00	Leg			
32	1	491 49 11-00	Drain			
	1	491 49 10-00	Drain	2).		
33	1	490 13 72-00	Drain			
34	1	475 77 84-00	Drain pipe connec			
35	1	477 73 94-00	Gasket	MC6S 10x90		
36	2	14 98 69-00	Screw			
37	2	481 98 73-00	Slide strip			
38	1	491 48 95-00	Streiner . box	22 mm black		
39	5	467 88 71-06	End plug			
40	1	767 11 01-00	Push Button			
41	1	481 99 42-01	Attachement	1/2"		
42	1	476 06 64-01	Magn.Cont.Switch			
43	1	482 01 42-01	Bar			
44	2	53 92 88-32	Washer	1/2"		
45	1	481 71 29-00	Cover			
46	1	491 49 82-01	Spraying tube			
47	1	741 61 13-24	Hood	1/2"		
48	1	428 06 82-01	Shaft			
49	1	461 13 78-02	Magnet			

**Bold print** = Change

- 1). Left hand side feeding
- 2). Right hand side feeding
- 3). From 2001.04



Load section L=900

**Illustration 21560**Edition  
4Month  
12Year  
2003

Pos.	Quantity	Art. no	Description	Notes
50	1	428 07 60-00	Emergency switch	
<b>51</b>	<b>1</b>	<b>428 01 39-00</b>	<b>Door</b>	
52	1	467 88 71-06	End plug	23 mm
53	1	763 11 06-00	Lamp	green
54	1	763 11 07-00	Lamp	red
55	1	491 48 79-00	Top	
56	1	482 16 92-01	Curtain sign	1). WT730
	1	482 16 92-02	Curtain sign	2). WT730
	1	482 16 92-03	Curtain sign	1). WT760
	1	482 16 92-04	Curtain sign	2). WT760
	1	482 16 92-05	Curtain sign	1). WT790
	1	482 16 92-06	Curtain sign	2). WT790
<b>57</b>	<b>1</b>	<b>428 26 56-01</b>	<b>Handle</b>	

**Bold print** = Change

- 1). Left hand side feeding
- 2). Right hand side feeding
- 3). From 2001.04

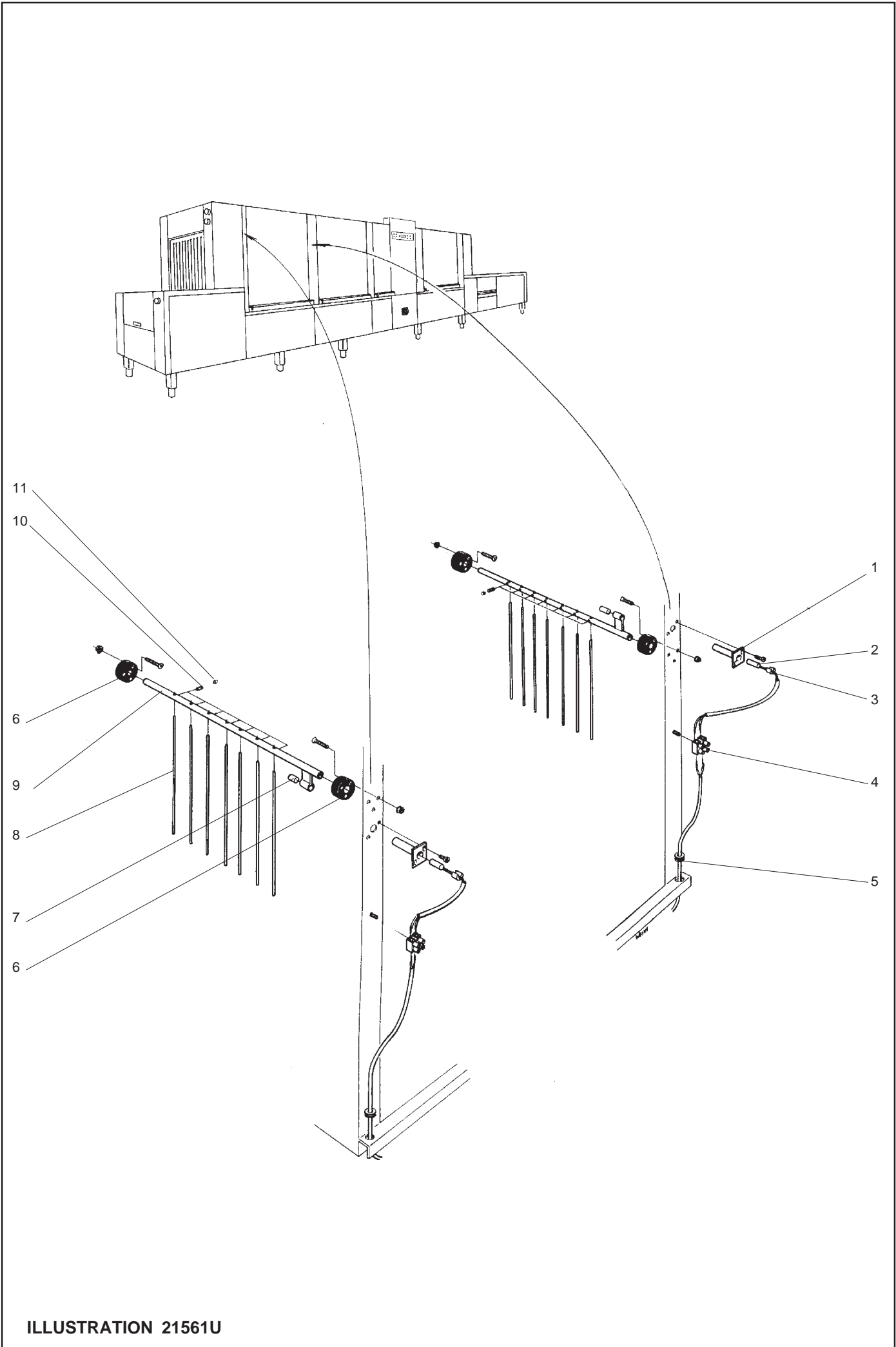


ILLUSTRATION 21561U



Gates		Illustration 21561U		Edition 1	Month 02	Year 2002
Pos.	Quantity	Art. no	Description	Notes		
1	2	482 02 01-00	Pipe			
2	2	476 01 36-02	Cont.Switch			
3	2	482 20 42-00	Sealing plug			
4	2	7627212-55	Terminal block			
5	2	762 11 68-00	Bushing			
6	4	481 72 89-00	Bearing			
7	2	477 74 93-00	Magnet			
8	14	462 16 19-08	Dowel			
9	2	482 00 68-00	Gate			
10	18	728 83 27-09	Screw	SK6SS 5x12		
11	18	732 31 14-40	Nut	HMH 5		

**Bold print** = Change

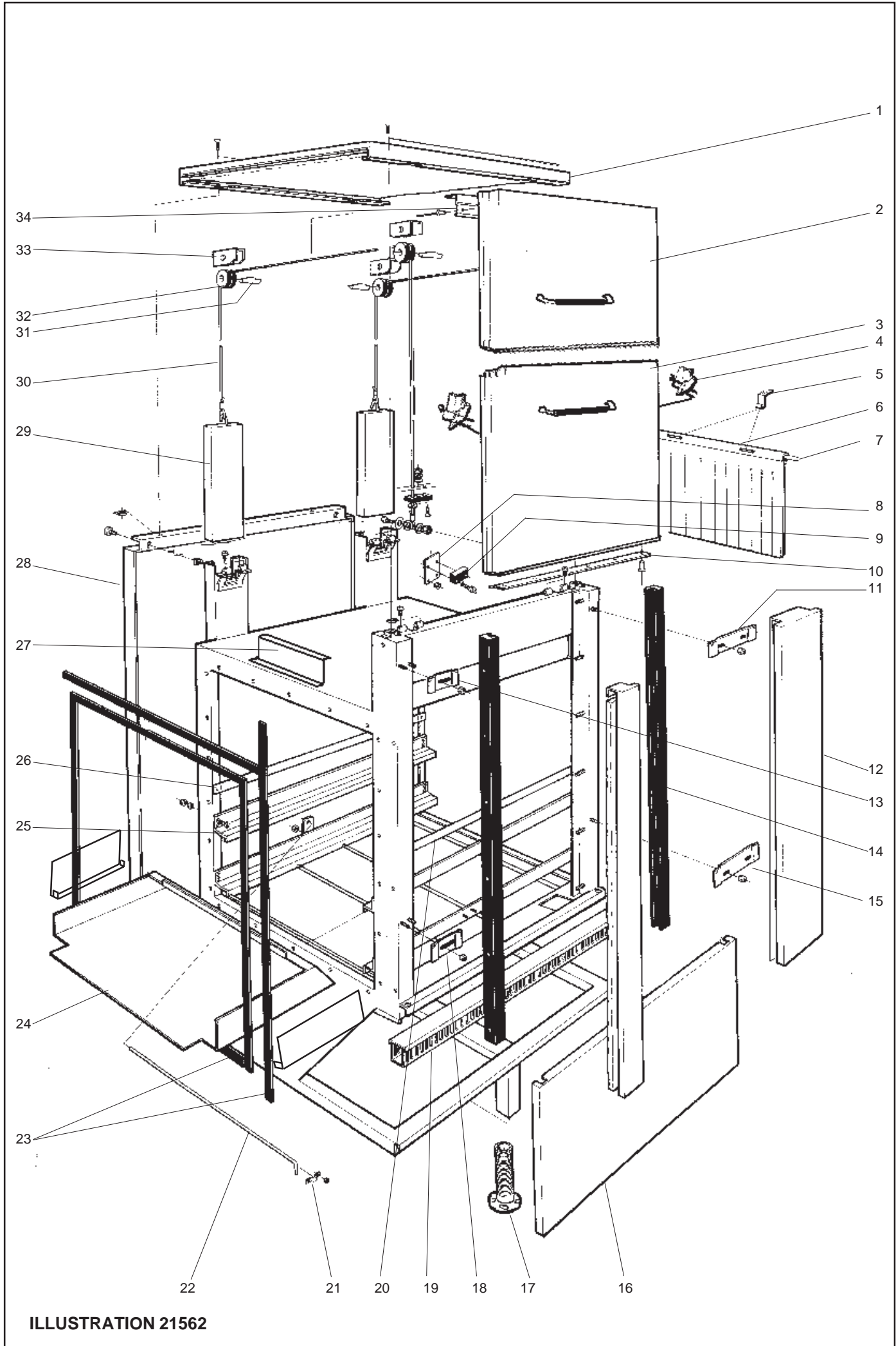


ILLUSTRATION 21562

Prewash / Wash tank, tank and panels			Illustration 21562		Edition 4	Month 06	Year 2003
Pos.	Quantity	Art. no	Description	Notes			
1	1	428 00 43-00	Outer Roof				
2	1	428 00 00-00	Door dev. upper				
3	1	428 00 02-00	Door dev. lower				
4	2	428 01 43-00	Door spring				
5	2	490 15 16-00	Curtain attachment				
<b>6</b>	<b>1</b>	<b>491 48 92-00</b>	<b>Curtain</b>	<b>L=450 W=796</b>			
7	1	482 76 03-04	Curtain shaft				
8	1	481 99 42-00	Attachment				
9	1	476 06 64-00	Magnetic switch				
10	1	490 14 54-00	Strip				
11	1	481 99 27-01	Attachement	4).			
	1	481 99 27-02	Attachement	5).			
12	1	428 00 31-00	Front	1). 3).			
	1	428 00 30-01	Front	1). 4).			
	1	428 02 73-00	Front	1). 5).			
	1	428 02 74-00	Front	2). 3).			
	1	428 00 35-01	Front	2). 4).			
	1	428 02 72-00	Front	2). 5).			
13	1	481 99 27-00	Attachement	3).			
	1	481 99 27-01	Attachement	4).			
14	1	499 66 16-00	Slide strip right				
	1	499 66 16-01	Slide strip left				
15	1	428 00 59-01	Attachement	4).			
	1	428 00 59-02	Attachement	5).			
16	1	481 72 09-00	Front panel				
	1	481 72 10-00	Front panel	5).			
<b>17</b>	<b>2</b>	<b>499 66 07-00</b>	<b>Leg</b>				
	<b>2</b>	<b>428 10 18-00</b>	<b>Leg</b>	<b>6).</b>			
18	1	428 00 59-00	Attachement	3).			
	1	428 00 59-01	Attachement	4).			
19	1	877 95 02-06	Canal passage	0,9 m			
20	2	482 77 86-00	Guiding pipe				
21	1	428 01 78-00	Clamp				
22	1	428 00 40-00	Spraying arm support				
23	-	873 30 32-40	Gasket				
24	1	428 00 71-00	Splasher	3).			
	1	428 00 72-00	Splasher	4).			
25	4	481 98 87-00	Slide				
26	2	481 72 52-01	Guiding pipe				
27	1	482 42 63-00	Holder				
28	1	428 00 41-00	Rear plate				
29	2	481 98 62-07	Weight				
30	2	490 14 52-03	Wire compl.				
31	4	481 72 92-00	Asta Shaft				
32	4	481 71 65-00	Ruota Wheel				
33	4	482 12 28-00	Wire support				
34	1	499 65 86-00	Sealing profile				

1). Left feeded machines  
2). Right feeded machines  
3). Connection: Load section - Prewash tank  
4). Connection: Tank - Tank  
5). Connection: Wash tank - Final rinse tank  
6). From 2001.04

**Bold print** = Change

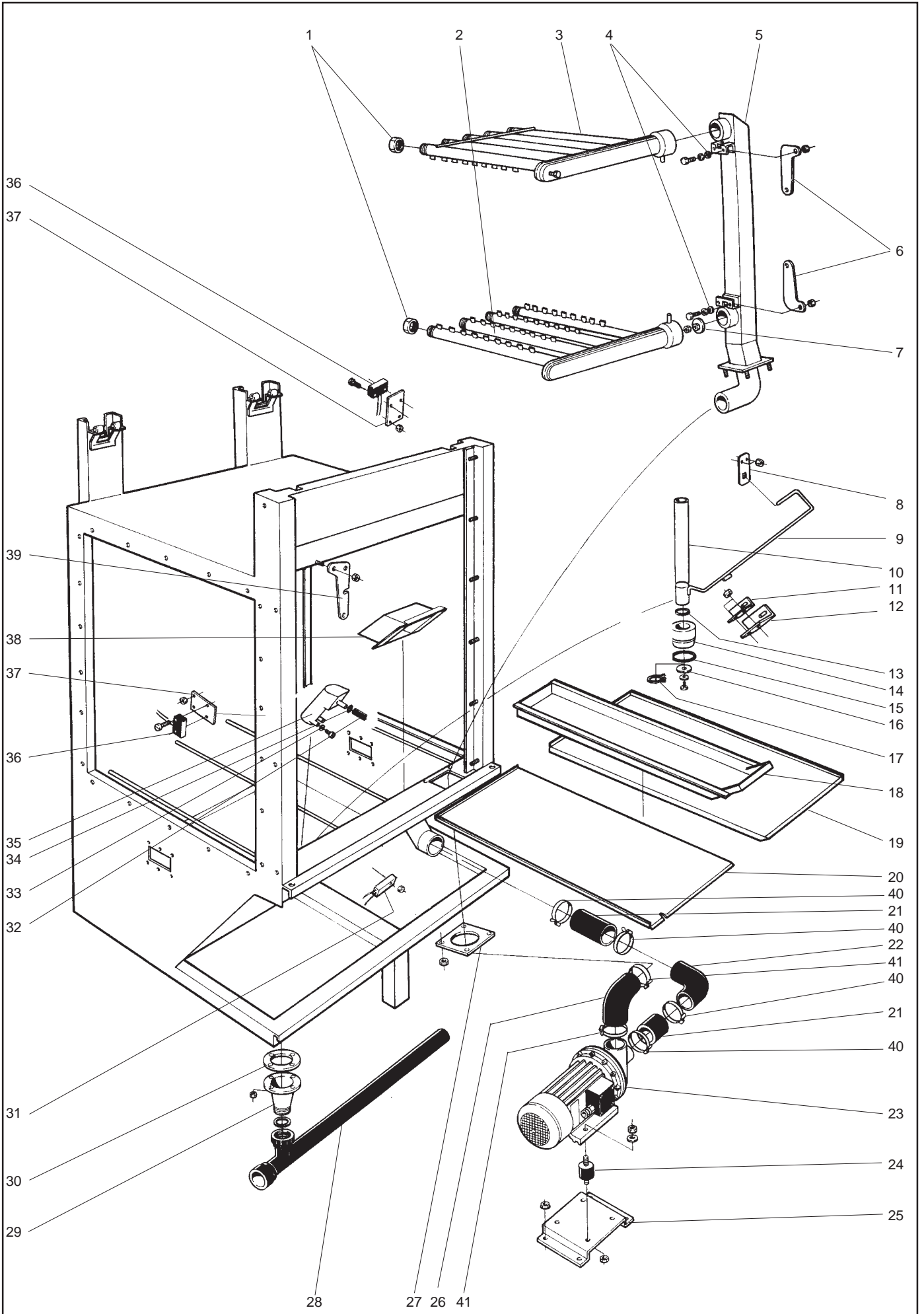


ILLUSTRATION 21563

Drain and wash system			Illustration 21563		Edition 2	Month 02	Year 2002
Pos.	Quantity	Art. no	Description	Notes			
	[		<b>Prewash</b>				
	[		<b>Chemical wash, power rinse</b>				
1	9	9 741 61 16-24	Cover				
2	1	1 428 00 52-00	Spraying arm lower				
3	1	1 428 00 50-00	Spraying arm upper	1).			
	1	1 428 00 51-00	Spraying arm upper	2).			
4	3	3 57 03 98-06	Gasket				
5	1	1 482 78 18-01	Main conduit				
6	2	2 490 14 45-00	Lock handle				
7	1	1 482 37 78-00	Reducing washer				
8	1	1 482 78 27-00	Guide plate				
9	-	1 482 78 81-00	Drain closer				
10	1	- 482 78 82-00	Drain closer				
11	1	1 482 78 26-00	Angular guide , left				
12	1	1 482 78 25-00	Angular guide, right				
13	1	1 740 44 08-14	O-ring				
14	1	1 475 77 83-00	Bottom plug				
15	1	1 475 81 24-02	O-ring				
16	-	1 53 92 88-32	Washer				
17	1	- 735 31 30-07	C-clamp				
18	1	- 491 49 36-00	Strainer box				
19	1	1 491 49 34-00	Strainer plate				
20	1	1 491 49 35-00	Strainer plate				
21	2	2 477 92 11-00	Hose				
22	1	1 482 59 74-00	Hose				
23	1	1 482 77 83-01	Pump	220-254/400-440V,60Hz			
	1	1 482 77 83-15	Impeller				
	1	1 482 77 83-13	Gasket				
	1	1 482 77 83-11	Fanwheel				
24	4	4 463 97 78-08	Absorber				
25	1	1 482 78 09-00	Pump bracket				
26	1	1 482 42 07-01	Hose				
27	1	1 482 34 82-00	Flange				
28	1	1 482 41 53-00	Drain pipe				
29	1	1 475 77 84-00	Drain pipe connection				
30	1	1 477 73 94-00	Gasket				
31	1	1 478 08 64-01	Thermistor	PT 1000			
32	1	1 87 75 25-102	Rubber hose				
33	4	4 246 09 18-00	Gasket				
34	1	1 740 42 09-00	O-ring				
35	1	1 542 60 10-01	Air tube				
36	2	2 476 06 64-00	Magnetic switch				
37	2	2 481 99 42-00	Attachment				
38	1	1 490 14 44-00	Pump strainer				
39	1	1 490 14 45-01	Lock handle				
40	4	4 <b>736 28 40-90</b>	<b>Hose clamp</b>	<b>D=65</b>			
41	2	2 <b>736 28 43-90</b>	<b>Hose clamp</b>	<b>D=75</b>			

**Bold print** = Change

1). Left hand side feeding  
2). Right hand side feeding

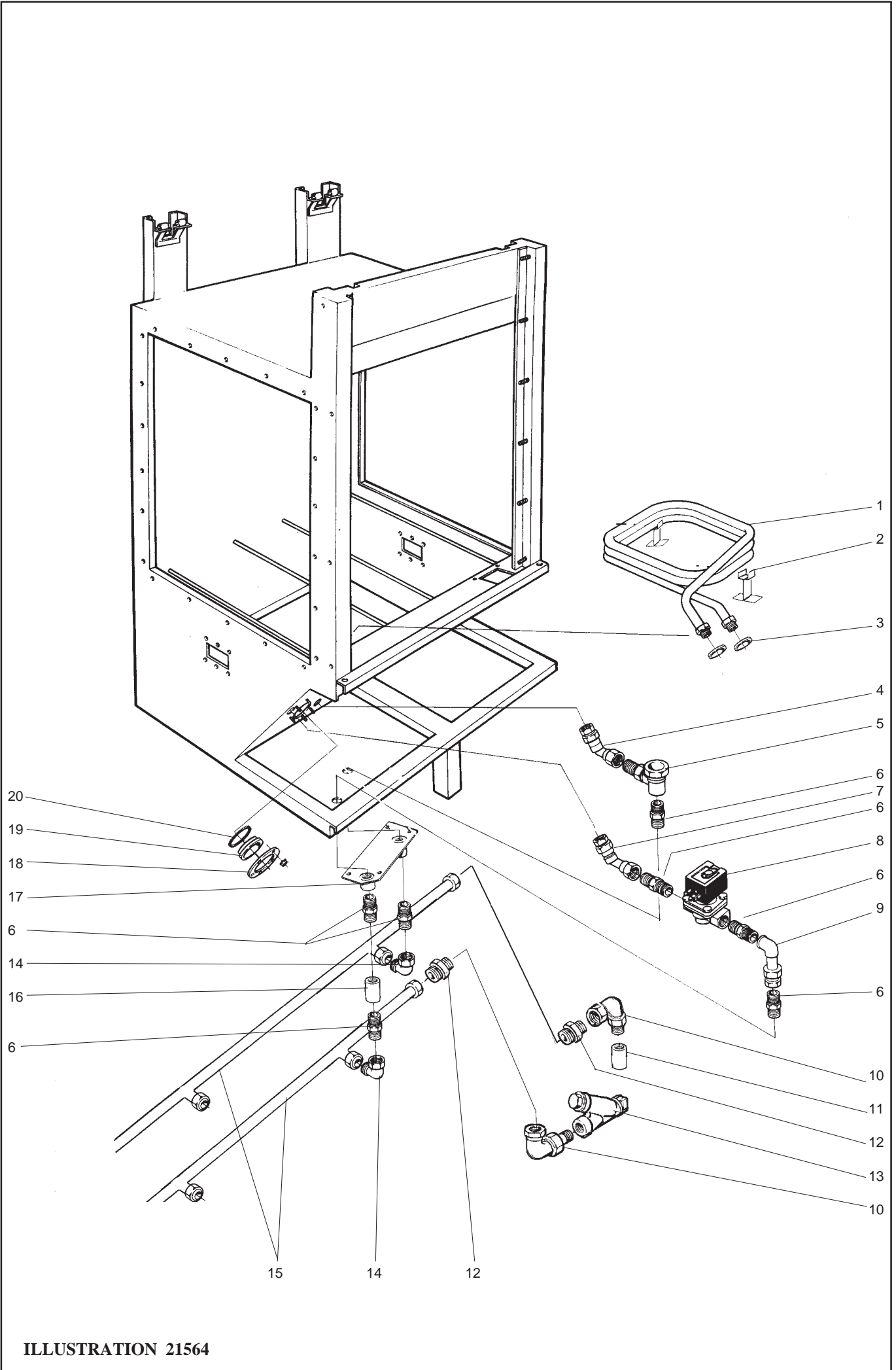


ILLUSTRATION 21564

Heating		Illustration 21564		Edition 3	Month 06	Year 2002
Pos.	Quantity	Art. no	Description	Notes		
1	1	490 15 31-00	Steam coil	Chemical tank Power wash tank		
	1	499 63 18-00	Steam coil			
2	2	428 01 25-01	Holder			
3	2	552 21 10-04	Gasket			
4	1	490 15 33-00	Pipe			
5	1	63 79 74-01	Steam trap			
6	7	741 31 15-22	Nipple			
7	1	490 15 32-00	Pipe			
<b>8</b>	<b>1</b>	<b>482 17 40-06</b>	<b>Solenoid valve</b>	<b>60 Hz</b>		
9	1	490 15 34-00	Pipe	11/4"		
10	2	63 56 38-05	Angular coupling			
11	1	741 21 17-20	Muff	11/4"		
12	2	741 31 17-21	Nipple	11/4"		
13	1	428 07 57-00	Filth filter	11/4"		
14	2	552 21 46-00	Angular coupling	1). 3/4"		
	4	552 21 46-00	Angular coupling	1). 3/4"		
	6	552 21 46-00	Angular coupling	1). 3/4"		
15	2	499 83 44-00	Pipe cpl.	1).		
	2	499 83 43-00	Pipe cpl.	2).		
	2	499 83 41-00	Pipe cpl.	3).		
16	1	741 21 15-20	Muff	3/4"		
17	1	499 83 40-00	Connection joint			
18	1	478 08 59-00	Element flange			
19	1	482 47 94-00	Lid			
20	1	740 48 31-05	O-ring			

**Bold print** = Change

- 1). WT 730
- 2). WT 760
- 3). WT 790

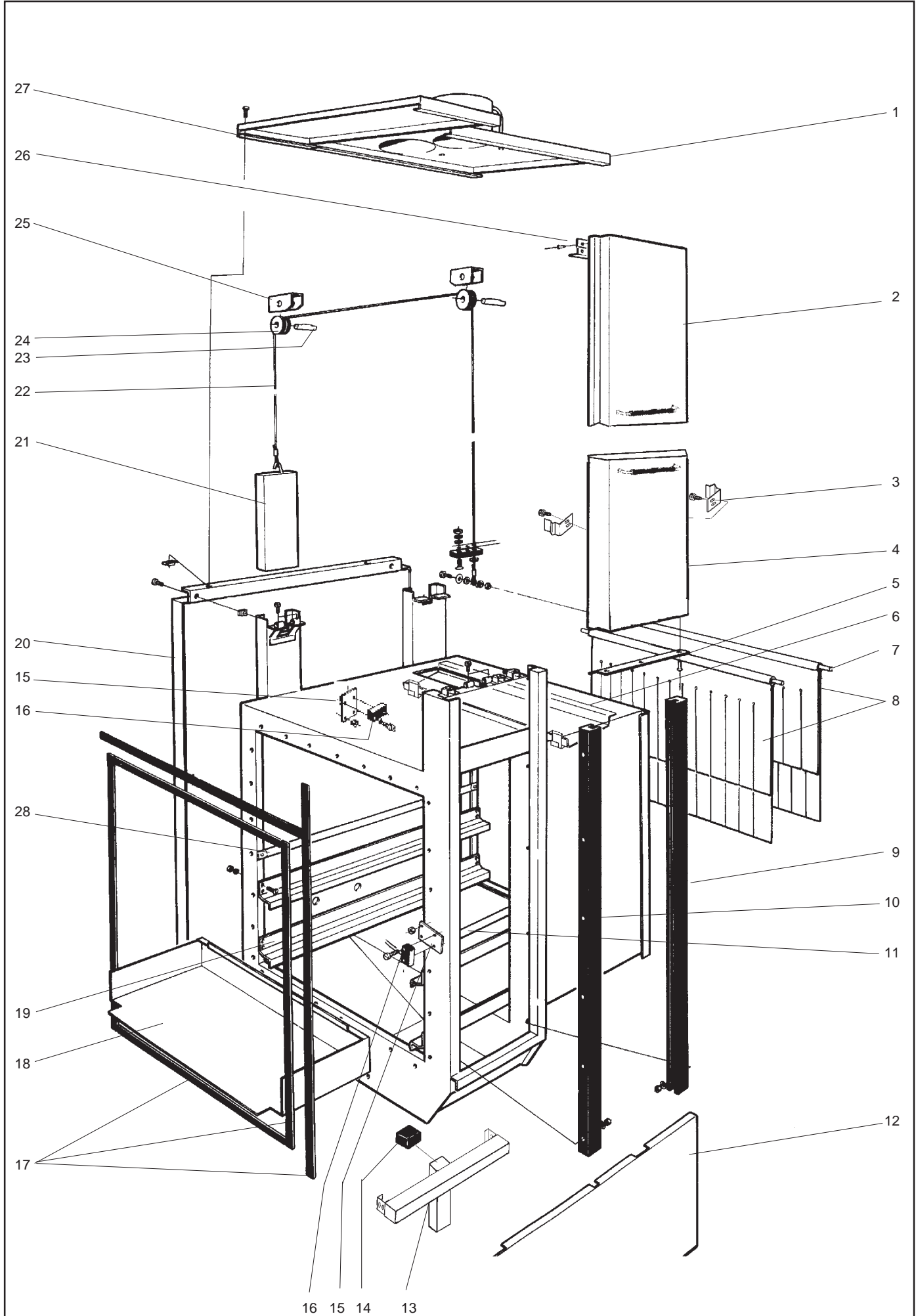


ILLUSTRATION 21565



Final rinse, tank + plates

**Illustration 21565**Edition  
2Month  
06Year  
2002

Pos.	Quantity	Art. no	Description	Notes	
1	1	491 49 56-00	Outer Roof	1).	
	1	491 49 58-00	Outer Roof		
2	1	428 00 01-00	Door cpl. upper	L=590      W=844	
3	2	428 01 43-00	Door spring		
4	1	428 00 03-00	Door cpl. lower		
5	1	491 42 77-00	Strip		
6	1	428 00 73-00	Drip guard		
7	2	482 76 03-05	Curtain shaft		
<b>8</b>	<b>2</b>	<b>491 48 93-00</b>	<b>Curtain</b>		
9	1	499 66 16-00	Slide strip right		
10	1	499 66 16-01	Slide strip left		
<b>11</b>	<b>1</b>	<b>481 72 52-00</b>	<b>Guiding pipe</b>		
12	1	481 72 10-00	Front panel		
13	1	499 76 51-00	Door support		
14	1	467 29 79-01	Plastic plug		
15	2	481 99 42-00	Attachment		
16	2	476 06 64-00	Magnetic switch		2).      20x4,2
17	-	87 33 03-240	Sealing band		
18	1	428 00 72-00	Splasher		
19	4	481 98 87-00	Slide		
20	1	428 00 41-00	Rear plate		
21	1	481 98 62-06	Weight		
22	1	490 14 52-03	Wire compl.		
23	2	481 72 92-00	Shaft		
24	2	481 71 65-00	Wheel		
25	2	482 12 28-00	Wire support		
26	1	499 65 87-00	Sealing profile		
27	1	428 0044-00	Outer Roof		
<b>28</b>	<b>1</b>	<b>481 72 52-01</b>	<b>Guiding pipe</b>		

**Bold print = Change**

- 1). WT730  
2). Material number

C To Energy Saving Device (ESD)

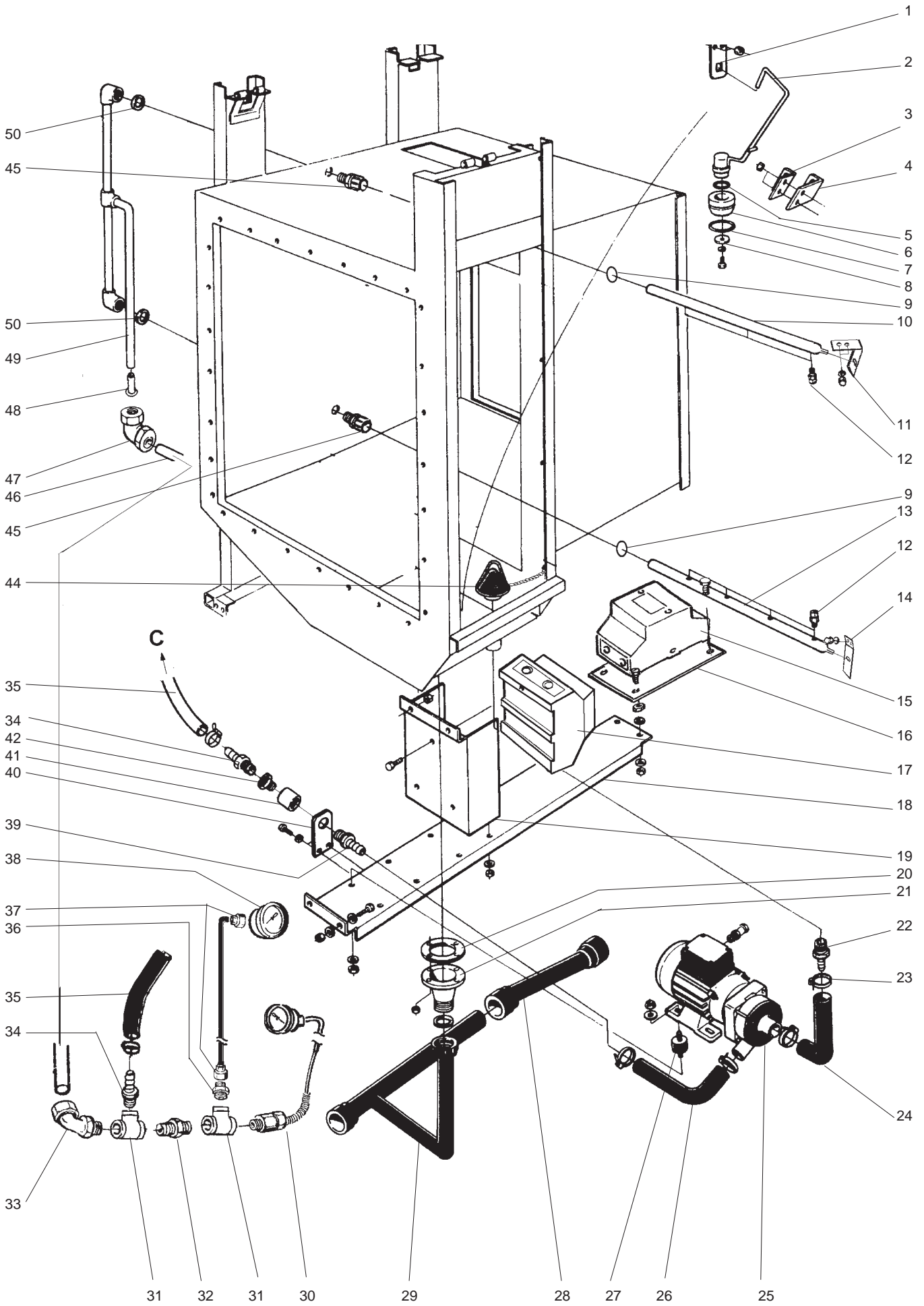


ILLUSTRATION 21566

Final rinse, tank + wash system

## Illustration 21566

Edition  
4Month Year  
06 2003

Pos.	Quantity	Art. no	Description	Notes
1	1	482 78 27-00	Guide plate	
2	1	482 78 91-00	Drain closer	
3	1	482 78 93-00	Angular guide , left	
4	1	482 78 92-00	Angular guide, right	
5	1	740 44 08-14	O-ring	
6	1	475 77 83-00	Bottom plug	
7	1	475 81 24-02	O-ring	
8	1	53 92 88-32	Washer	
9	2	740 43 15-14	O-ring	17.3X2.4
10	1	428 02 22-01	Rinse arm	
11	1	428 02 08-00	Spring upper	
12	9	482 78 46-04	Nozzle	8008
13	1	428 02 21-01	Rinse arm	
14	1	428 02 09-00	Spring lower	
15	1	499 68 57-00	Transformer	440/24V,480VA
16	1	428 03 42-01	Bracket	
17	1	428 13 81-00	Transformer	440 - 230V 500VA
18	1	482 78 89-00	Motor bracket	
19	1	490 15 49-00	Bracket	
20		477 73 94-00	Gasket	
21	1	475 77 84-00	Drain Connection	
22	1	552 21 40-31	Hose Nipple	25x1"
23	x	763 28 28-90	Hose clamp	D=38
24	1	478 08 71-00	Hose	
25	1	482 77 21-02	Pump	230 / 240V, 60 Hz
26	1	478 08 71-01	Hose	
27	4	463 97 78-06	Absorber	
28	1	490 13 70-00	Drain	1).
	1	490 13 71-00	Drain	2).
<b>29</b>	<b>1</b>	<b>491 49 11-00</b>	<b>Drain</b>	<b>1)</b>
	<b>1</b>	<b>491 49 10-00</b>	<b>Drain</b>	<b>2)</b>
30	1	428 03 86-01	Thermometer	
31	2	742 51 13-20	T-connection	1/2"
32	1	741 31 13-21	Nipple	1/2"
33	1	743 46 35-25	Angular joint	15-1/2"
34	2	552 21 40-21	Hose nipple	15-1/2"
35	1	428 07 58-01	Hose	Ø13 blue 6m
36	1	741 38 08-24	Nipple	1/2"-1/4"
37	2	482 28 91-09	Hose connection	674-1/4"
38	1	428 03 87-00	Pressure meter	
39	1	552 21 40-28	Hose Nipple	20x1"
40	1	481 71 61-00	Attachement	
41	1	741 21 15-20	Muff	3/4"
42	1	741 41 14-20	Busching	3/4-1/2"
43	1	552 00 11-00	Hose	1/2" 3m

Bold print = Change

- 1). Left hand side feeding
- 2). Right hand side feeding

C To Energy Saving Device (ESD)

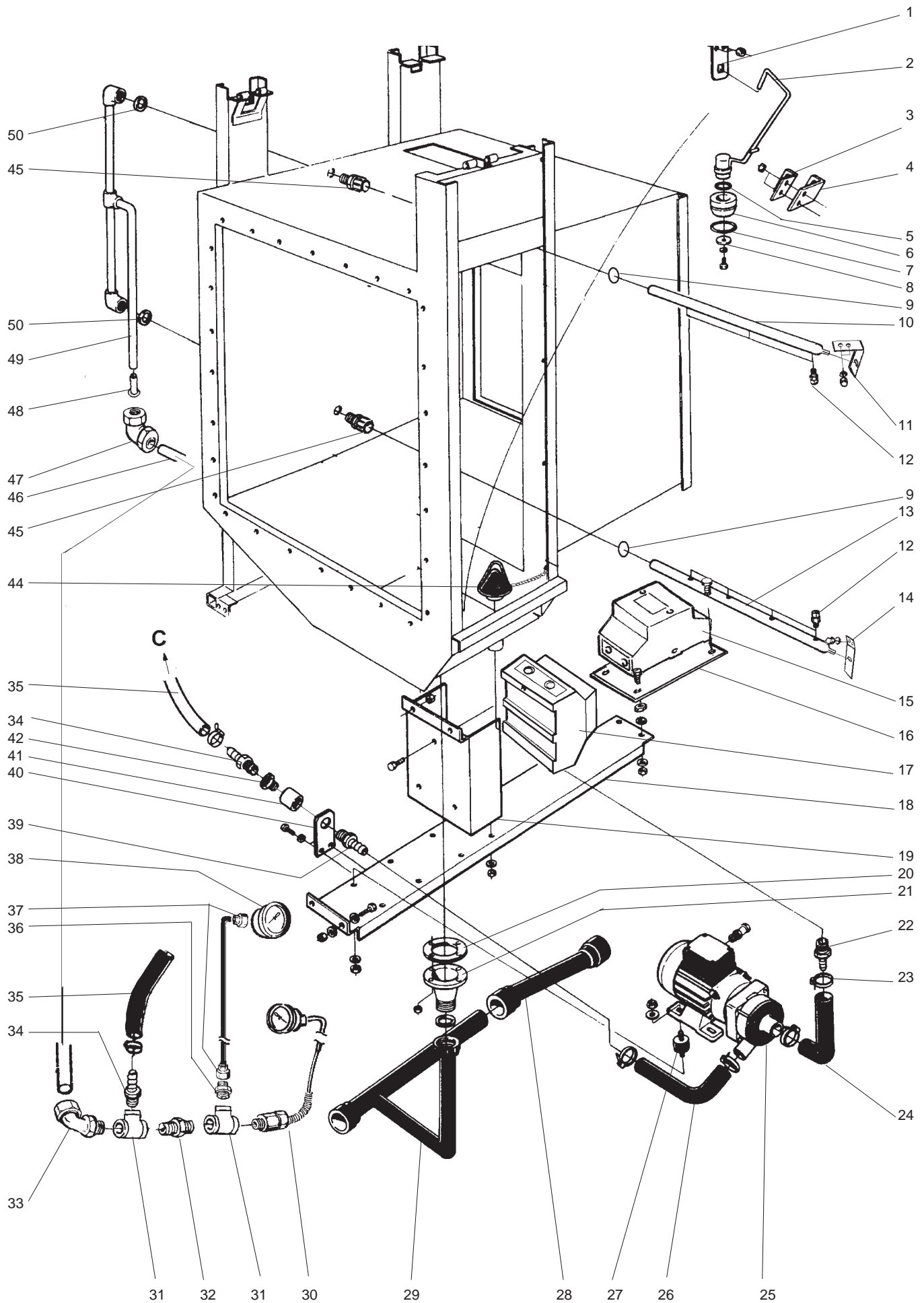


ILLUSTRATION 21566

Final rinse, tank + wash system

**Illustration 21566**Edition  
4Month Year  
06 2003

Pos.	Quantity	Art. no	Description	Notes
44	1	477 90 36-00	Strainer	
	1	482 42 79-00	Chain	
45	2	428 02 07-00	Joint	1/2"-18
46	1	88 58 10-805	Pipe	12x1 L=980
47	1	743 46 45-20	Angular joint	15-15
48	3	743 41 23-94	Sleeve	
49	1	428 01 24-00	Main conduit	
50	2	552 21 10-03	Gasket	

**Bold print** = Change

- 1). Left hand side feeding
- 2). Right hand side feeding

Left hand side feeding - acc. to picture  
 Right hand side feeding - reversed picture

- A Cold water connection
- B Warm water connection
- C To prewash tank - cold water
- D To rinse aid pump
- E To Condensing unit
- F To wash tank1- warm water
- G To wash tank2- warm water ( WT760, WT790)
- H To Final rinse tank- warm water

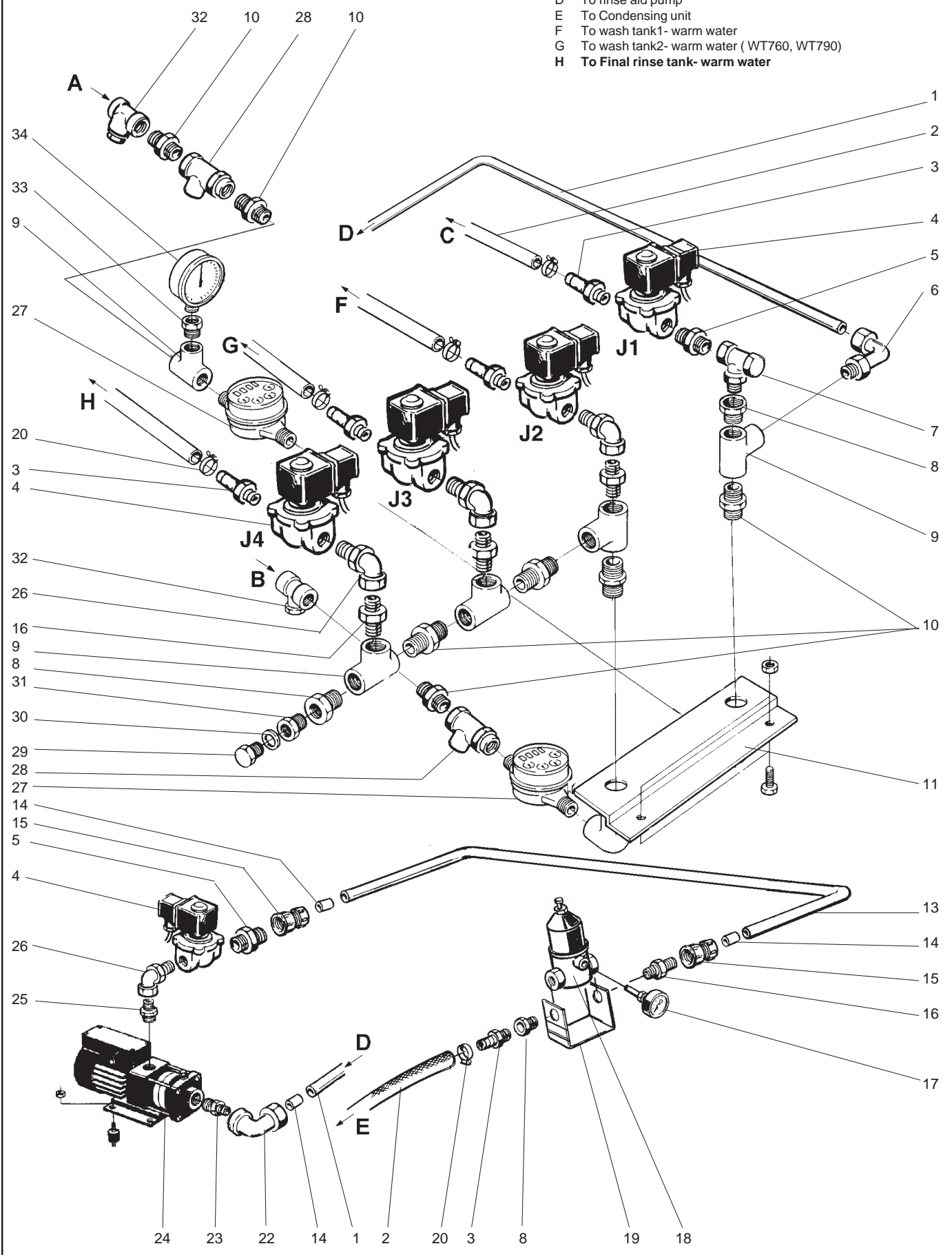


ILLUSTRATION 215 67

Water connections		Illustration 21567		Edition 5	Month 06	Year 2003
Pos.	Quantity	Art. no	Description	Notes		
	[ [ [		<b>WT730U</b> <b>WT760U</b> <b>WT790U</b>			
1	1 1 1	428 03 21-00	Pipe cpl.			
2	x x x	428 07 58-01	Hose	Ø13 blue		
3	3 4 5	552 21 40-21	Hose nipple	15x1/2"		
4	3 4 5	482 00 00-09	Solenoid valve	24V 50/60Hz		
5	2 2 2	741 31 13-21	Nipple	1/2"		
6	1 1 1	743 46 47-25	Angular joint	3/4"-22		
7	1 1 1	460 81 61-02	Reducer			
8	3 3 3	741 41 14-20	Bushing	1/2"-3/4"		
9	5 5 5	742 51 15-20	T-tube	3/4"		
10	5 6 7	741 31 15-22	Nipple	3/4"		
11	1 1 1	499 84 65-00	Bracket			
13	1 1 1	428 03 91-00	Pipe			
14	4 4 4	743 41 23-94	Sleeve			
15	2 2 2	743 46 35-10	Joint	15x1/2"		
16	2 3 4	741 38 14-24	Nipple	3/4"-1/2"		
17	1 1 1	428 03 37-02	Manometer			
18	1 1 1	428 03 37-00	Reducing valve			
19	1 1 1	428 03 31-00	Attachment			
20	3 4 5	736 28 19-90	Hose clamp	D=24		
22	1 1 1	743 46 47-30	Joint	3/4"-22		
23	1 1 1	741 38 20-24	Nipple	1"-3/4"		
24	1 1 1	482 04 80-05	Rinse booster pump	440V, 60Hz		
25	1 1 1	741 38 19-24	Nipple	1"-1/2"		
26	1 2 3	460 92 81-02	Angular joint	1/2"-1/2"		
27	2 2 2	481 96 35-00	Watermeter			
28	2 2 2	428 03 01-00	Backflow preventer			
29	1 1 1	741 52 09-24	Plug	1/8"		
30	1 1 1	552 21 10-00	Gasket	1/8"		
31	1 1 1	741 41 07-20	Bushing	1/8"-1/2"		
<b>32</b>	<b>2 2 2</b> <b>2 2 2</b>	<b>552 21 17-04</b> <b>428 16 20-00</b>	<b>Strainer</b> <b>Strainer</b>	<b>3/4"</b> <b>1). 3/4"</b>		
33	1 1 1	741 41 12-20	Bushing	1/4"-3/4"		
34	1 1 1	482 30 95-02	Manometer			

**Bold print** = Change

1). From 2002.09

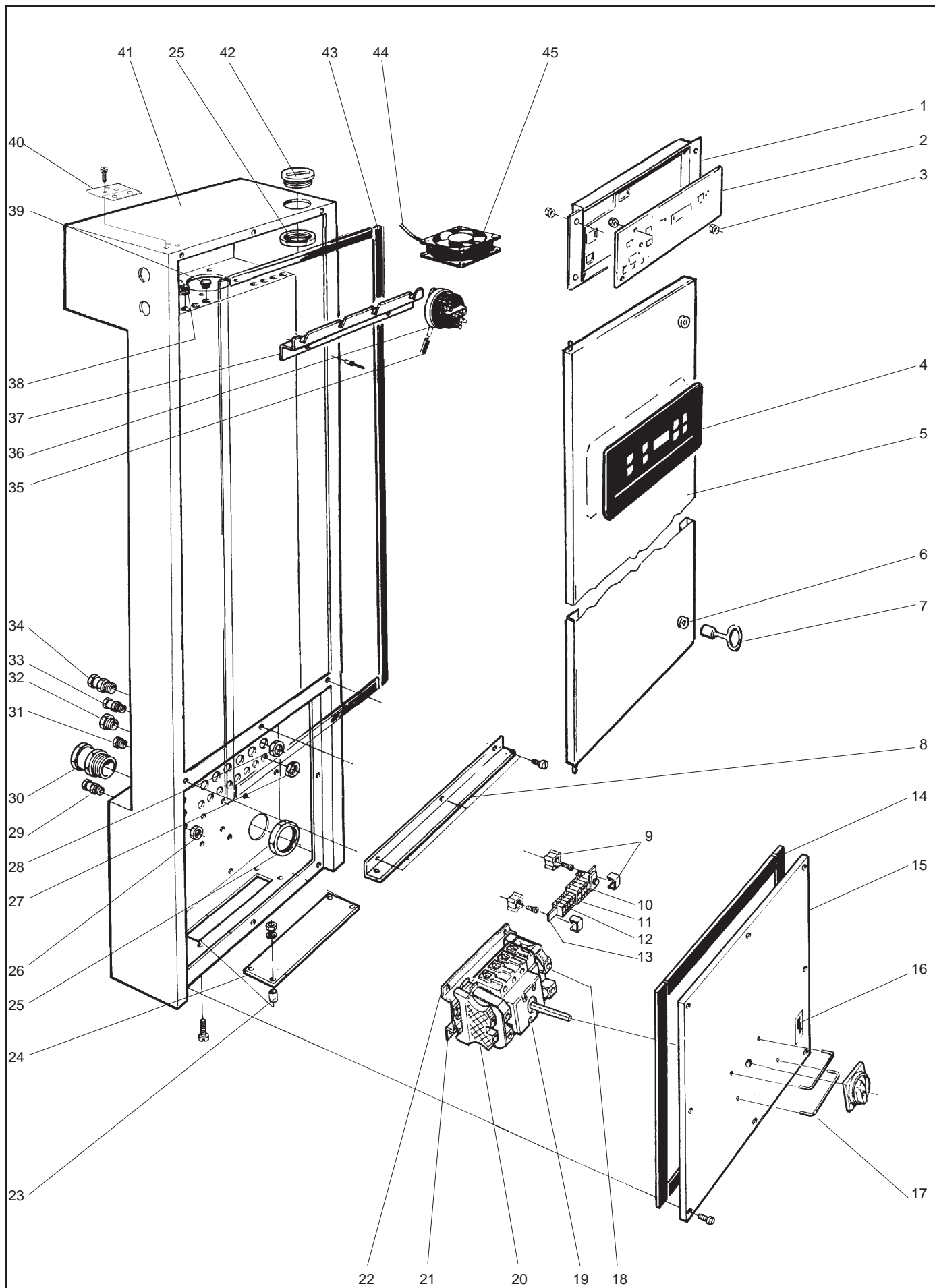


ILLUSTRATION 215 80UW



Electrical cabinet, Integrated			Illustration 21580UW		Edition 4	Month 06	Year 2003
Pos.	Quantity	Art. no	Description	Notes			
	[		<b>WT 790</b>				
	[		<b>WT 760</b>				
	[		<b>WT 730</b>				
1	1 1 1	428 06 85-00	Cover plate PCB				
2	1 1 1	428 06 01-00	PCB	A1			
3	10 10 10	491 45 03-02	Spacer				
4	1 1 1	428 05 00-00	Control panel				
5	1 1 1	428 06 81-00	Door				
<b>6</b>	<b>2 2 2</b>	<b>428 13 80-00</b>	<b>Quick lock</b>	<b>1).</b>			
	<b>2 2 2</b>	<b>428 15 25-00</b>	<b>Quick lock</b>	<b>2).</b>			
<b>7</b>	<b>2 2 2</b>	<b>428 12 25-01</b>	<b>Key</b>				
8	1 1 1	481 71 77-00	Hinges				
9	2 2 2	762 71 70-90	Holder				
10	2 2 2	762 71 85-90	Clamping piece, yellow/green				
11	5 4 3	762 71 83-90	Clamping piece, yellow/green				
12	12 12 10	762 71 80-90	Clamping piece, yellow/green				
13	1 1 1	477 76 81-05	Earth-connection bar				
14	1 1 1	87 33 03-240	Sealing strip				
15	1 1 1	482 01 01-01	Front				
16	1 1 1	552 21 61-00	Sign				
17	2 2 2	499 65 90-00	Protecting support				
18	1 1 1	552 22 52-06	Earth connection				
19	1 1 1	491 45 73-00	Switch 80A				
20	1 1 1	552 22 55-00	End support				
21	1 1 1	475 93 46-03	Mounting slide				
22	1 1 1	482 68 58-01	Spacer plate				
23	4 4 4	478 56 10-00	Spacer				
24	1 1 1	482 20 30-00	Bottom plate				
25	2 2 2	762 11 16-55	Nut	Pr 59,3			
26	X X X	63 62 96-01	Nut	2). Pr 15,2			
27	X X X	63 62 96-02	Nut	2). Pr 18,6			
28	X X X	63 62 96-00	Nut	2). Pr 20,4			
	X X X	63 62 96-03	Nut	2). Pr 22,5			
	X X X	63 62 96-04	Nut	2). Pr 28,3			
29	X X X	762 21 08-06	Sleeve	Pr 15,2			
30	1 1 1	762 21 16-06	Sleeve	Pr 59,3			
31	X X X	63 63 23-01	End plug	Pr 15,2			
	X X X	63 63 23-02	End plug	Pr 18,6			
	X X X	63 63 23-08	End plug	Pr 20,4			
32	X X X	63 63 23-03	End plug	Pr 22,5			
	X X X	63 63 23-04	End plug	Pr 28,3			
33	X X X	762 21 12-06	Sleeve	Pr 28,3			
	X X X	762 21 11-06	Sleeve	Pr 22,5			
34	X X X	762 21 10-06	Sleeve	Pr 20,4			
	X X X	762 21 09-06	Sleeve	Pr 18,6			

1). From 2001.09  
2). From 2002.03

**Bold print** = Change



Electrical cabinet, Integrated

**Illustration 21580UW**Edition  
4Month  
06Year  
2003

Pos.	Quantity	Art. no	Description	Notes
	[ [ [		<b>WT 790</b> <b>WT 760</b> <b>WT 730</b>	
35	1 1 1	87 75 25-102	Level hose	
36	4 - - - 3 - - - 2	482 78 05-07 482 78 05-07 482 78 05-07	Level switch Level switch Level switch	S1, S2, S3, S4 S1, S2, S4 S1, S4
37	1 1 1	482 77 84-00	Angular mounting plate	
38	7 7 5	762 11 68-00	Inlet	
39	1 1 3	467 88 71-02	End plug	
40	1 1 1	491 35 32-00	Door mounting plate	
<b>41</b>	<b>1 1 1</b>	<b>428 00 97-01</b>	<b>Control box</b>	
42	1 1 1	63 63 23-07	End plug	Pr 59,3
43	1 1 1	552 00 05-00	Sealing strip	
44	1 1 1	482 22 36-00	Connection cable	
45	1 1 1	477 97 11-00	Fan	

- 1). From 2001.09  
2). From 2002.03

**Bold print** = Change

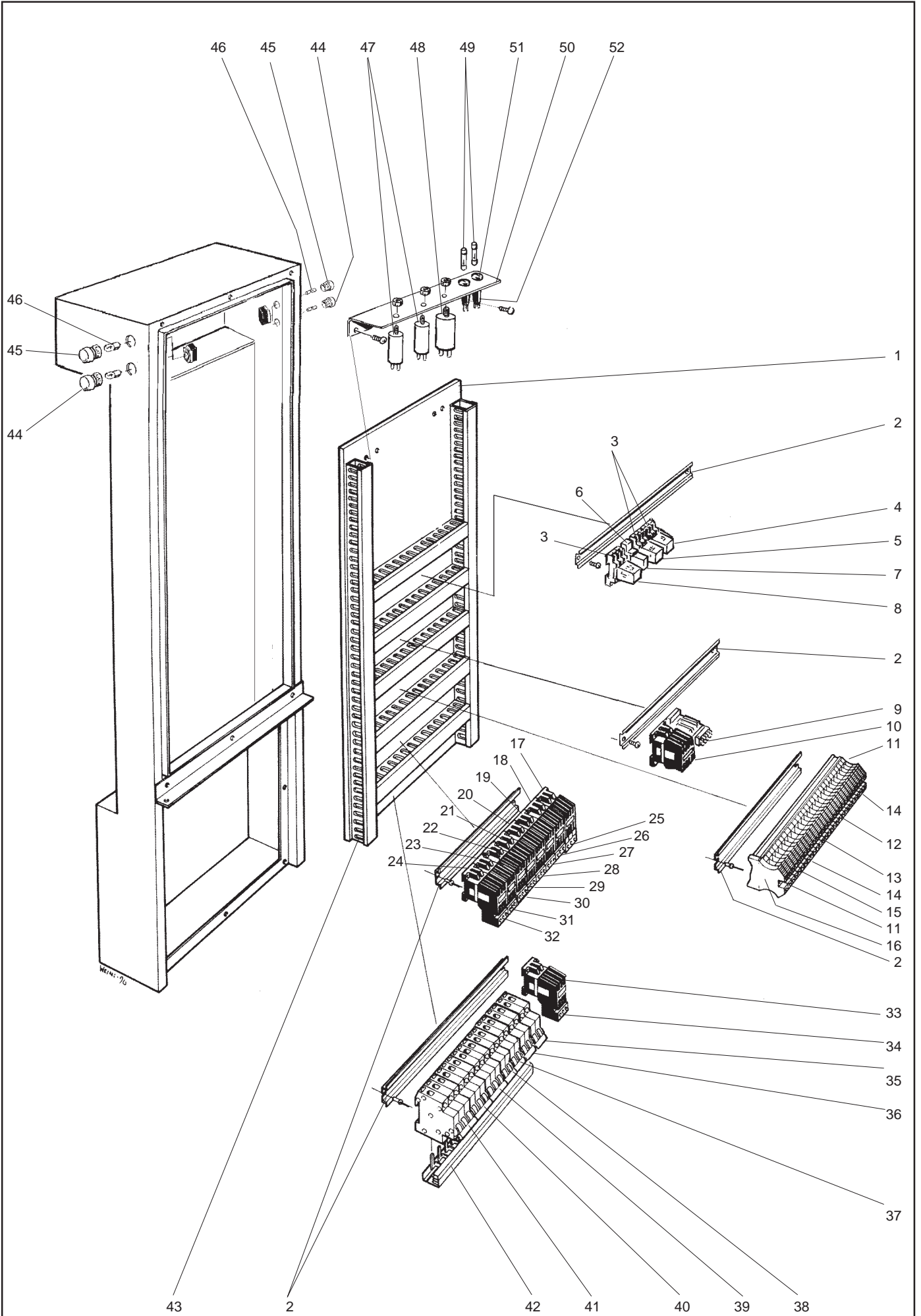


ILLUSTRATION 215 82UW

Electrical cabinet, Integrated			Illustration 21582UW		Edition 3	Month 06	Year 2003
Pos.	Quantity	Art. no	Description	Notes			
1	1	482 28 43-00	Connection plate				
2	5	475 93 46-15	Mounting slide				
3	3	552 21 22-00	Socket, 3-pol				
4	1	552 21 22-01	Relay, 3-pol K23				
5	1	552 21 22-01	Relay K22				
6	1	552 21 23-00	Socket, 1-pol				
7	1	552 21 23-01	Relay K21				
8	1	552 21 22-01	Relay K20				
9	1	428 06 86-01	Transformator T3				
10	1	767 51 14-09	Contacteur K5				
11	2	552 22 54-00	End plate				
12	65	552 22 50-02	Terminal block				
13	1	552 22 56-06	Connection	3-pol			
14	2	552 22 56-07	Connection	4-pol			
15	1	552 22 56-31	Connection	7-pol			
16	2	552 22 55-00	End Support				
17	1	767 51 14-09	Contacteur K18				
18	1	767 51 14-09	Contacteur K8				
19	1	767 51 14-09	Contacteur K7				
20	1	767 51 14-09	Contacteur K6				
21	1	767 51 14-09	Contacteur K3	3).			
22	1	767 51 14-09	Contacteur K2	2). 3).			
23	1	767 51 14-09	Contacteur K4	1). 2). 3).			
24	1	767 51 14-09	Contacteur K1	1). 2). 3).			
25	1	767 62 06-00	Overload protection N18	0,8-1,2A			
26	1	767 62 09-00	Overload protection N8	2,7-4A			
27	1	767 62 06-00	Overload protection N7	0,8-1,2A			
28	1	767 62 06-00	Overload protection N6	0,8-1,2A			
29	1	767 61 10-00	Overload protection N3	3). 4-6A			
30	1	767 61 10-00	Overload protection N2	2). 3). 4-6A			
31	1	767 61 10-00	Overload protection N4	1). 2). 3). 4-6A			
32	1	767 61 10-00	Overload protection N1	1). 2). 3). 4-6A			
33	1	767 51 14-09	Contacteur K10	2). 3).			
34	1	767 62 08-00	Overload protection N10	1,2-1,8A			
35	1	552 22 22-10	Automatic fuse F24	1). 2). 3). 10A			
36	1	552 22 22-10	Automatic fuse F26	1). 2). 3). 10A			
37	1	552 22 22-10	Automatic fuse F5	1). 2). 3). 10A			
38	1	552 22 22-10	Automatic fuse F25	1). 2). 3). 10A			
39	1	552 22 23-10	Automatic fuse F13	1). 2). 3). 10A			
40	1	552 22 23-20	Automatic fuse F7	2). 3). 20A			
41	1	552 22 23-20	Automatic fuse F6	1). 2). 3). 20A			
42	1	552 55 08-04	Phase bar	2). 3).			
	1	552 55 08-03	Phase bar	1).			
43	4m	87 79 50-205	Canal Passage				
44	2	763 11 06-00	Lamp	Green			
45	2	763 11 07-00	Lamp	Red			
46	4	763 91 03-00	Lamp				
47	2	763 75 30-45	Condenser 2MF, C1, C2	2). 3).			
	1	763 75 30-45	Condenser 2MF, C1	1).			
48	1	763 76 68-45	Condenser 5MF, C3				
49	2	428 02 86-01	Glass-tube fuse	1,6A			
50	1	428 07 69-00	L-profile				
51	2	<b>552 20 37-00</b>	<b>Fuse Socket</b>				
52	2	<b>552 20 37-00</b>	<b>Fuse holder</b>				

**Bold print** = Change

- 1). WT730  
2). WT760  
3). WT790

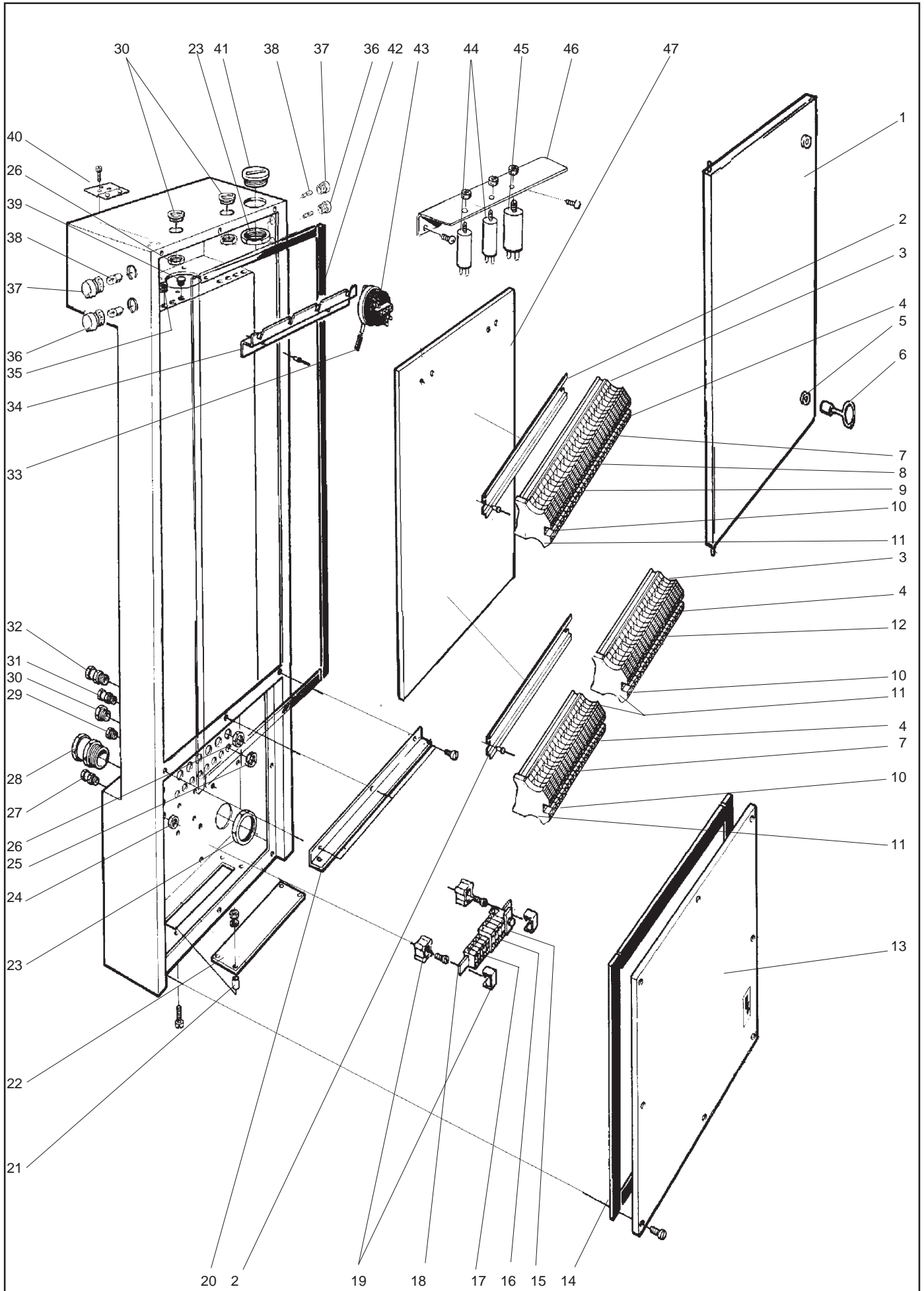


ILLUSTRATION 216 18

Internal electrical cabinet, Remote control

## Illustration 21618

Edition  
2Month  
02Year  
2002

Pos.	Quantity	Art. no	Description	Notes
	[		<b>WT 790</b>	
	[		<b>WT 760</b>	
	[		<b>WT 730</b>	
1	1 1 1	499 83 01-00	Door	
2	2 2 2	<b>475 93 46-15</b>	<b>Mounting slide</b>	
3	6 6 6	552 22 54-00	End plate	
4	97 97 97	552 22 50-02	Terminal block	
5	2 2 2	<b>428 13 80-00</b>	<b>Quick lock</b>	1).
	2 2 2	<b>428 15 28-00</b>	<b>Quick lock</b>	2).
6	2 2 2	<b>428 13 80-01</b>	<b>Key</b>	
7	3 3 3	552 22 56-07	Connection	4-pol
8	1 1 1	552 22 56-06	Connection	3-pol
9	1 1 1	552 22 56-30	Connection	7-pol
10	3 3 3	552 22 54-00	End plate	
11	6 6 6	552 22 55-00	End Support	
12	1 1 1	552 22 56-05	Connection	2-pol
13	1 1 1	499 76 44-00	Front	
14	1 1 1	87 33 03-240	Sealing strip	
15	2 2 2	762 71 85-90	Clamping piece, yellow/green	
16	5 4 3	762 71 83-90	Clamping piece, yellow/green	
17	12 12 10	762 71 80-90	Clamping piece, yellow/green	
18	1 1 1	477 76 81-05	Earth-connection bar	
19	2 2 2	762 71 70-90	Holder	
20	1 1 1	481 71 77-00	Hinges	
21	4 4 4	478 56 10-00	Spacer	
22	1 1 1	482 20 30-00	Bottom plate	
23	2 2 2	762 11 16-55	Nut	Pr 59,3
24	X X X	762 11 08-55	Nut	Pr 15,2
25	X X X	762 11 09-55	Nut	Pr 18,6
26	X X X	762 11 10-55	Nut	Pr 20,4
	X X X	762 11 11-55	Nut	Pr 22,5
	X X X	762 11 12-55	Nut	Pr 28,3
27	X X X	762 21 08-06	Sleeve	Pr 15,2
28	1 1 1	762 21 16-06	Sleeve	Pr 59,3
29	X X X	63 63 23-01	End plug	Pr 15,2
	X X X	63 63 23-02	End plug	Pr 18,6
	X X X	63 63 23-08	End plug	Pr 20,4
30	X X X	63 63 23-03	End plug	Pr 22,5
	X X X	63 63 23-04	End plug	Pr 28,3
31	X X X	762 21 12-06	Sleeve	Pr 28,3
	X X X	762 21 11-06	Sleeve	Pr 22,5
32	X X X	762 21 10-06	Sleeve	Pr 20,4
	X X X	762 21 09-06	Sleeve	Pr 18,6
33	1 1 1	87 75 25-102	Level hose	
34	1 1 1	482 77 84-00	Angular mounting plate	
35	7 7 5	762 11 68-00	Inlet	
36	2 2 2	763 11 06-00	Lamp	Green

Bold print = Change

1). From 2001.09  
2). From 2002.03

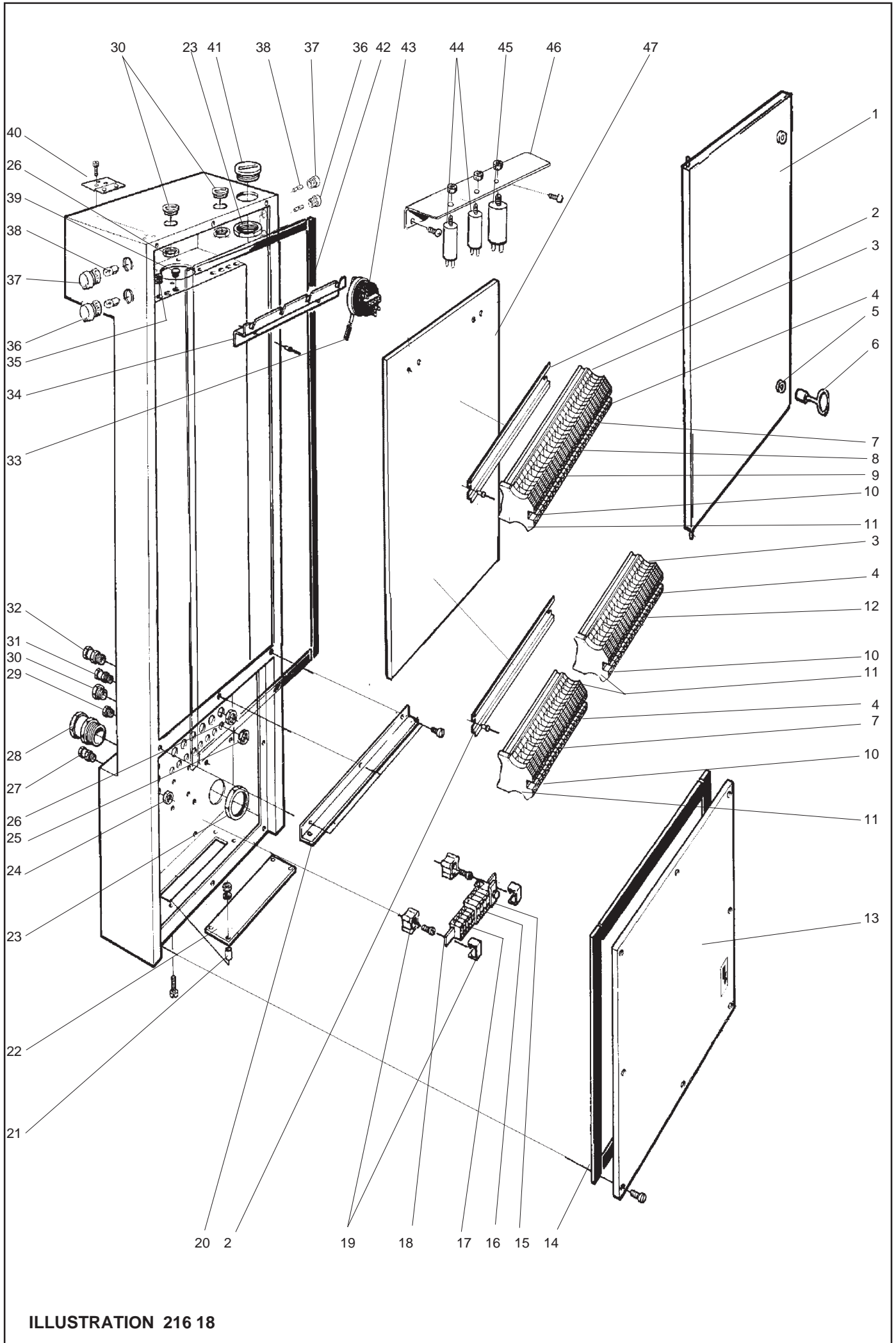


ILLUSTRATION 216 18



Internal electrical cabinet, Remote control

**Illustration 21618**Edition  
2Month  
02Year  
2002

Pos.	Quantity	Art. no	Description	Notes
	[ [ [		<b>WT 790</b> <b>WT 760</b> <b>WT 730</b>	
37	2 2 2	736 11 07-00	Lamp	Red
38	4 4 4	736 91 03-00	Lamp	
39	1 1 1	467 88 71-02	End plug	
40	1 1 1	491 35 32-00	Door mounting plate	
41	1 1 1	63 63 23-07	End plug	Pr 59,3
42	1 1 1	552 00 05-00	Sealing strip	
43	4 - - - 3 - - - 2	482 78 05-07 482 78 05-07 482 78 05-07	Level switch Level switch Level switch	S1, S2, S3, S4 S1, S2, S4 S1, S4
44	2 - - - 2 - - - 1	763 75 30-45 763 75 30-45 763 75 30-45	Condenser 2MF Condenser 2MF Condenser 2MF	C1, C2 C1, C2 C1
45	1 1 1	763 76 68-45	Condenser 5MF	C3
46	1 1 1	428 07 69-00	L-profile	
47	1 1 1	482 28 43-00	Connection plate	

**Bold print** = Change

- 1). From 2001.09
- 2). From 2002.03

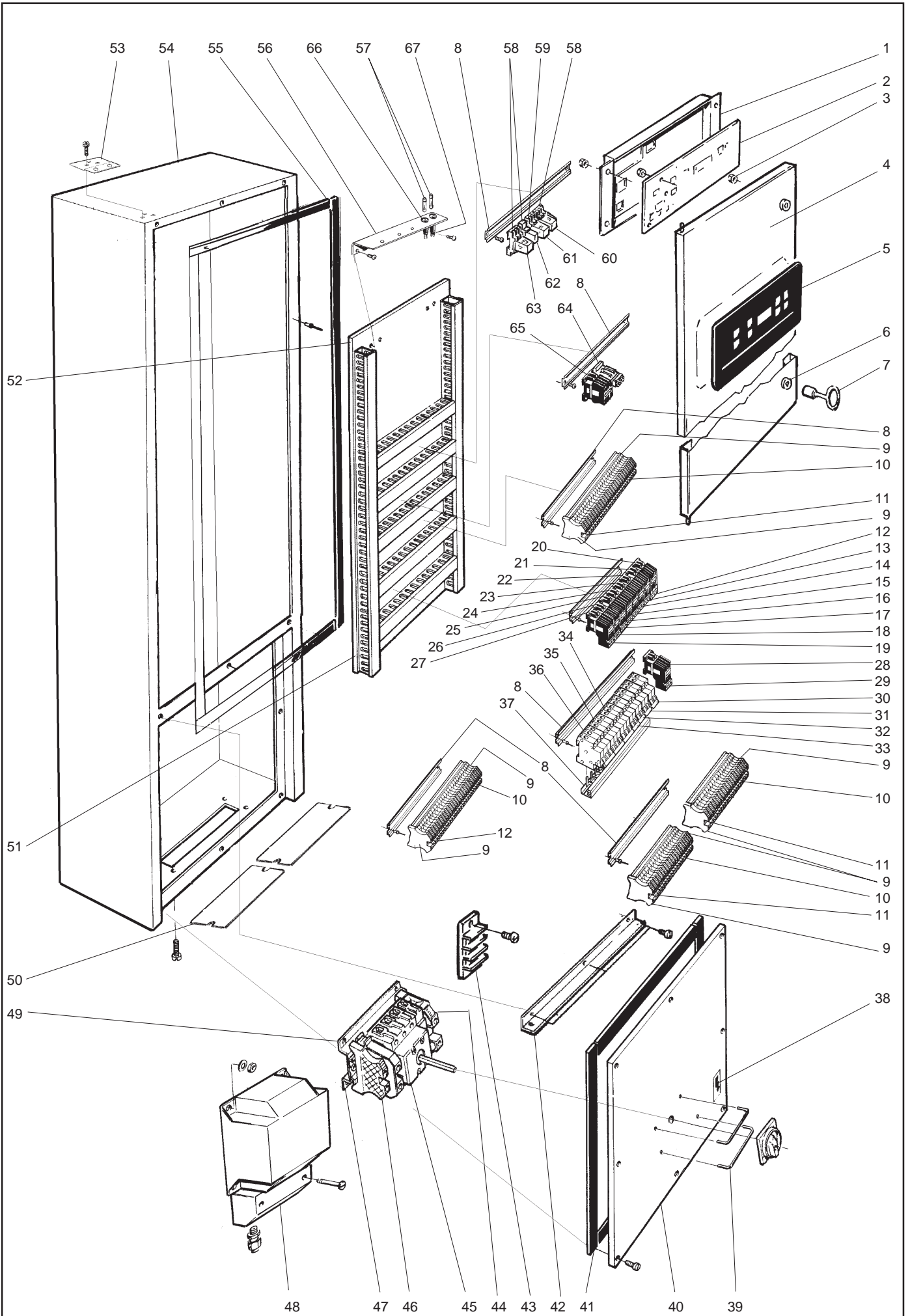


ILLUSTRATION 216 19

External electrical cabinet, Remote control			Illustration 21619		Edition 3	Month 06	Year 2003
Pos.	Quantity	Art. no	Description	Notes			
1	1	428 06 85-00	Cover plate PCB	A1			
2	1	428 06 01-00	PCB				
3	1	491 45 03-02	Spacer				
4	1	428 06 81-00	Door	4). 5).			
5	1	428 05 00-00	Control panel				
<b>6</b>	<b>1</b>	<b>428 13 80-00</b>	<b>Quick lock</b>				
	<b>2</b>	<b>428 15 25-00</b>	<b>Quick lock</b>				
<b>7</b>	<b>2</b>	<b>428 15 25-01</b>	<b>Key</b>				
8	7	475 93 46-09	Mounting slide	0,8-1,2A			
9	8	552 22 55-00	End Support				
10	92	552 22 50-02	Terminal block	2,7-4A			
11	4	552 22 54-00	End plate				
12	1	767 62 06-00	Overload protection N18	0,8-1,2A			
13	1	767 62 09-00	Overload protection N8				
14	1	767 62 06-00	Overload protection N7	0,8-1,2A			
15	1	767 62 06-00	Overload protection N6				
16	1	767 61 10-00	Overload protection N3	3). 4-6A			
17	1	767 61 10-00	Overload protection N2				
18	1	767 61 10-00	Overload protection N4	1). 2). 3). 4-6A			
19	1	767 61 10-00	Overload protection N1				
20	1	767 51 14-09	Contacteur K18	1). 2). 3). 4-6A			
21	1	767 51 14-09	Contacteur K8				
22	1	767 51 14-09	Contacteur K7	3).			
23	1	767 51 14-09	Contacteur K6				
24	1	767 51 14-09	Contacteur K3	2). 3).			
25	1	767 51 14-09	Contacteur K2				
26	1	767 51 14-09	Contacteur K4	1). 2). 3).			
27	1	767 51 14-09	Contacteur K1				
<b>28</b>	<b>1</b>	<b>767 51 14-09</b>	<b>Contacteur K10</b>	1). 2). 3). 1,2-1,8A			
29	1	767 62 08-00	Overload protection N10				
30	1	552 22 22-10	Automatic fuse F24	1). 2). 3). 10A			
31	1	552 22 22-10	Automatic fuse F26				
32	1	552 22 22-10	Automatic fuse F5	1). 2). 3). 10A			
33	1	552 22 22-10	Automatic fuse F25				
34	1	552 22 23-10	Automatic fuse F13	1). 2). 3). 10A			
35	1	552 22 23-20	Automatic fuse F7				
36	1	552 22 23-20	Automatic fuse F6	2). 3). 20A			
37	1	552 55 08-04	Phase bar				
	1	552 55 08-03	Phase bar	2). 3). 1).			
38	1	552 21 61-00	Sign				
39	1	499 65 90-00	Protecting support	1).			
40	1	482 01 01-01	Front				
41	1	87 33 03-240	Sealing strip	80A			
42	1	481 71 77-00	Hinges				
43	1	482 41 25-02	Earth connection block	80A			
44	1	552 22 52-06	Earth connection				
45	1	491 45 73-00	Switch	80A			
46	1	552 22 55-00	End support				

- 1). WT730  
2). WT760  
3). WT790  
4). From 2001.09  
5). From 2002.03

**Bold print** = Change

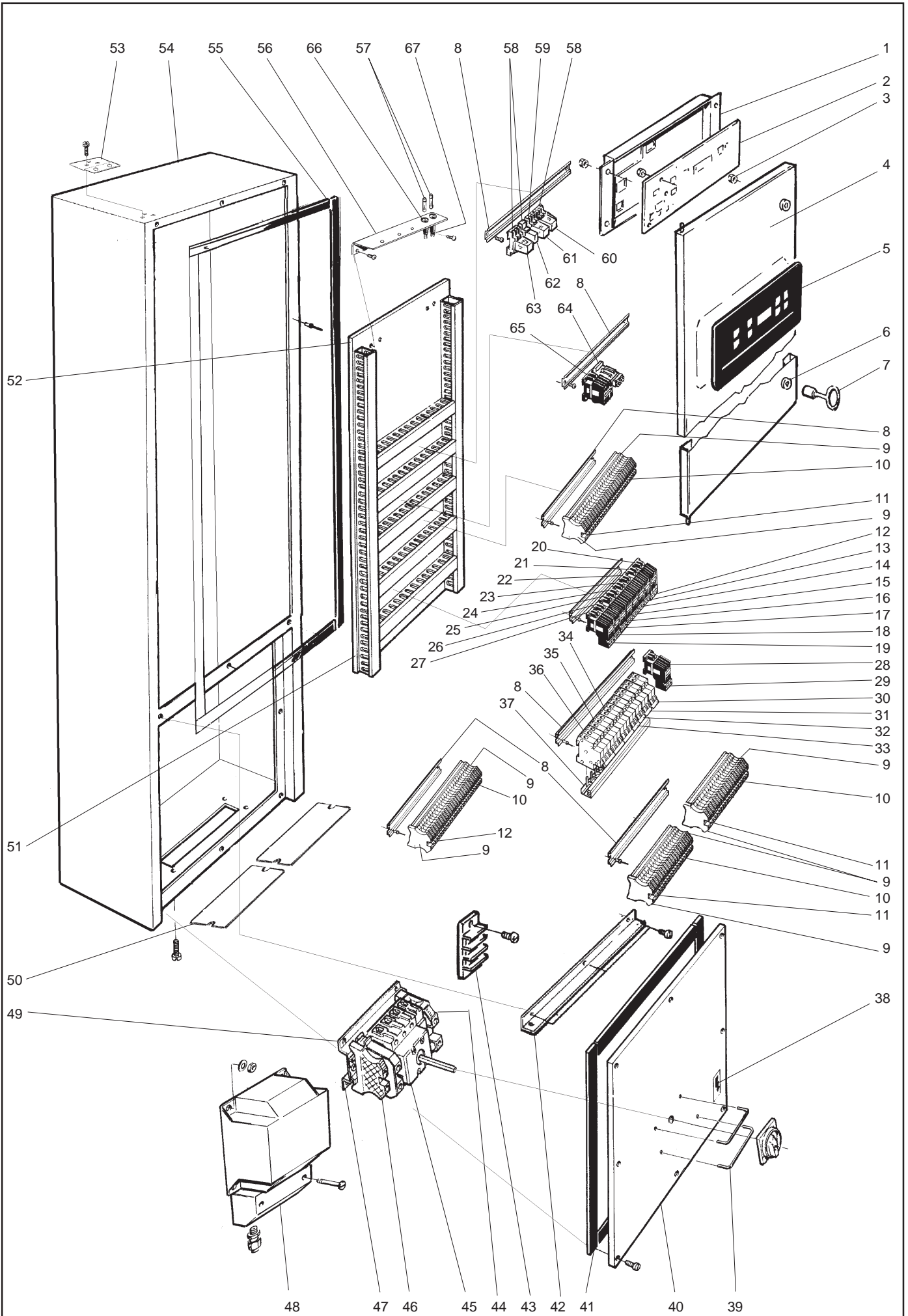


ILLUSTRATION 216 19

External electrical cabinet, Remote control

## Illustration 21619

Edition  
3Month  
06Year  
2003

Pos.	Quantity	Art. no	Description	Notes
47	1	475 93 46-03	Mounting slide	440/24V, 480 VA
48	1	499 68 57-00	Transformer	
49	1	482 68 58-01	Spacer plate	
50	2	499 82 32-00	Mounting plate	1,6A
51	4m	87 79 50-205	Canal Passage	
52	1	482 28 43-00	Connection plate	
53	1	491 35 32-00	Door mounting plate	
54	1	499 82 97-00	Electrical cabinet	
55	1	552 00 05-00	Sealing strip	
56	1	428 07 69-00	L-profile	
57	2	428 02 86-01	Glass-tube fuse	
58	3	552 21 22-00	Socket, 3-pol	
59	1	552 21 23-00	Socket, 1-pol	
60	1	552 21 22-01	Relay, 3-pol K23	
61	1	552 21 22-01	Relay K22	
62	1	552 21 23-01	Relay K21	
63	1	552 21 22-01	Relay K20	
64	1	428 06 86-01	Transformator T3	
65	1	767 51 14-09	Contacteur K5	
<b>66</b>	<b>2</b>	<b>552 20 37-00</b>	<b>Fuse Socket</b>	
<b>67</b>	<b>2</b>	<b>552 20 37-00</b>	<b>Fuse holder</b>	

- 1). WT730
- 2). WT760
- 3). WT790
- 4). From 2001.09
- 5). From 2002.03

**Bold print** = Change

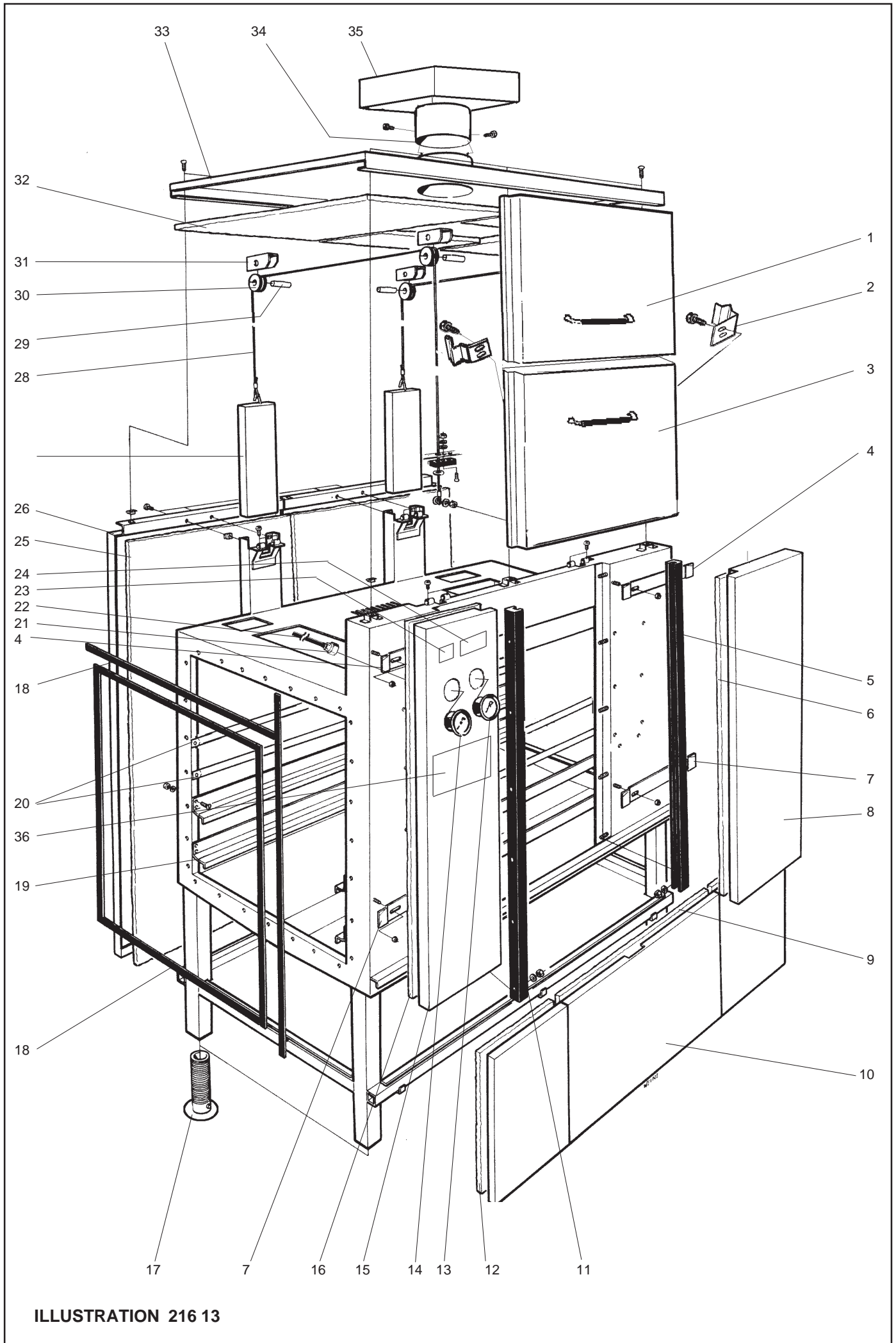


ILLUSTRATION 216 13

Drying tunnel L=1300, plates

## Illustration 21613

Edition  
4Month  
06Year  
2003

Pos.	Quantity	Art. no	Description	Notes
1	1	428 00 00-00	Door, upper	
2	2	428 01 43-00	Door spring	
3	1	428 00 02-00	Door, lower	
4	2	481 99 27-00	Attachement	
5	1	499 66 16-00	Slide right	
6	x	482 15 17-00	Insulation	
7	2	428 00 59-00	Attachement	
8	1	428 00 32-03	Front	1).
	1	428 00 32-01	Front	2).
9	x	482 15 17-00	Insulation	
10	1	481 72 12-00	Front	
11	1	499 66 16-01	Slide left	
12	x	482 15 17-00	Insulation	
13	1	428 03 87-00	Pressure gauge	Ø 63
14	1	428 03 86-01	Thermometer	Ø 63
15	1	428 00 33-01	Front	1).
	1	428 00 33-03	Front	2).
16	x	482 15 17-00	Insulation	
<b>17</b>	<b>4</b>	<b>499 66 07-00</b>	<b>Leg</b>	<b>3).</b>
	<b>4</b>	<b>482 10 18-00</b>	<b>Leg</b>	
18	x	87 33 03-240	Gasket	
19	4	481 98 86-00	Slide	
20	4	481 72 52-02	Guiding pipe	
21	1	482 28 91-09	Nippel	1/4"
22	1	481 75 33-00	Hose	Ø 8, 3m
23	1	428 03 94-00	Sign PSi	
24	1	428 03 93-00	Sign temp	
25	x	482 15 17-00	Insulation	
26	2	428 00 42-00	Rear fase	
27	2	481 98 62-07	Weight	
28	2	490 14 52-03	Wire compl.	
29	4	481 72 92-00	Shaft	
30	4	481 71 65-00	Wheel	
31	2	482 12 28-00	Wire support	
32	x	482 15 17-00	Insulation	
33	1	428 04 28-00	Outer Roof	
34	1	428 03 40-01	Exhaust pipe	
35	1	428 03 44-01	Cover overhead	
36	1	499 77 18-01	Sign	WT730U
	1	499 77 18-00	Sign	WT760U
	1	499 77 18-02	Sign	WT790U

**Bold print** = Change

- 1). Right hand side feeding  
 2). Left hand side feeding  
 3). From 2001.04

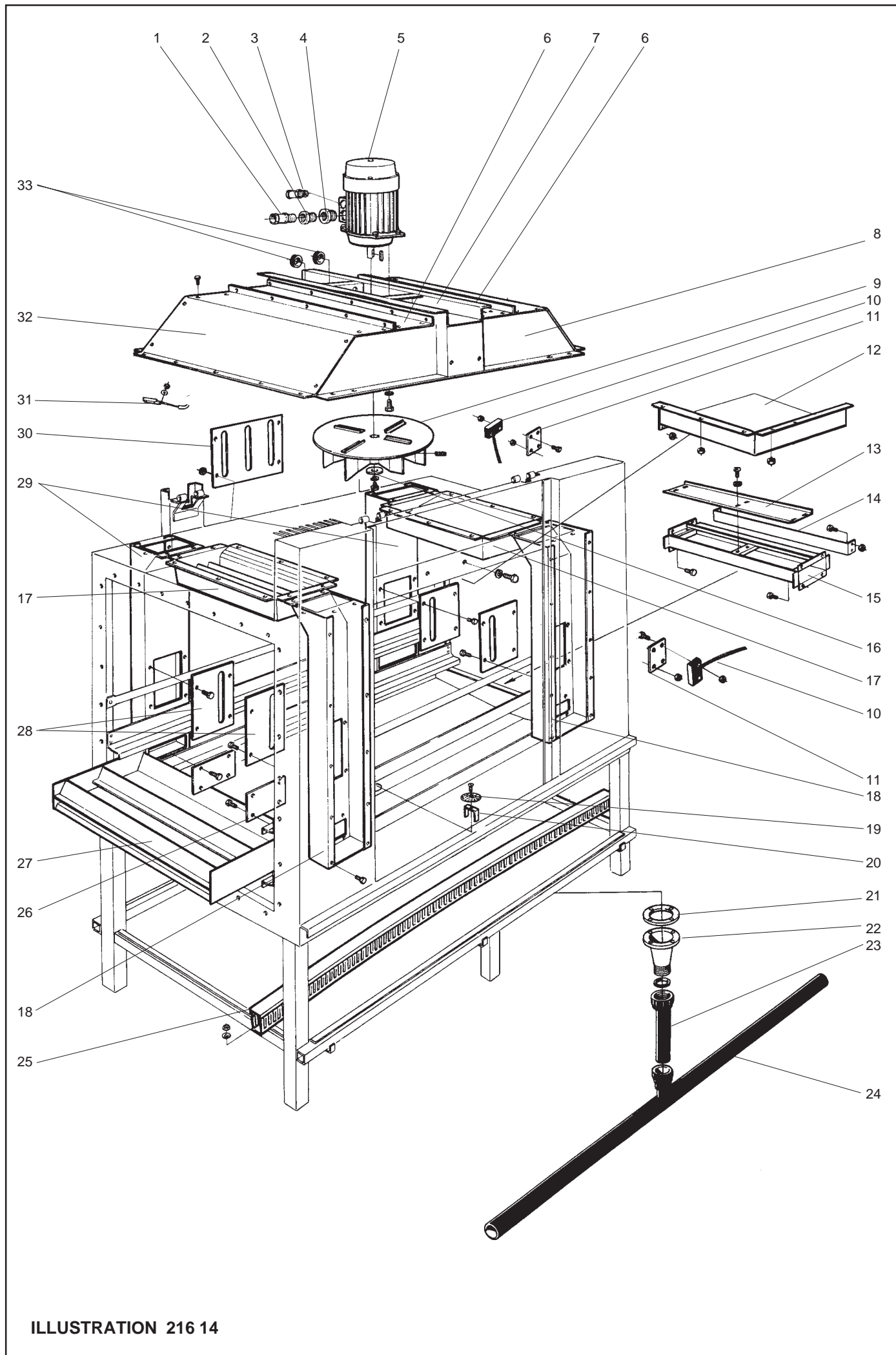


ILLUSTRATION 216 14



Drying tunnel L=1300, fan + drain

## Illustration 21614

Edition  
2Month  
06Year  
2003

Pos.	Quantity	Art. no	Description	Notes
1	1	762 21 08-06	Sleeve	Pr 15.2
2	1	762 18 03-20	Sleeve	Pr 18.6-15.2
3	1	762 21 10-06	Sleeve	Pr 20.4
4	1	762 18 06-20	Sleeve	Pr 20.4-18.6
<b>5</b>	<b>1</b>	<b>482 70 01-00</b>	<b>Motor</b>	<b>230 / 440 V</b>
6	2	428 00 81-00	Cover plate	
7	1	428 00 77-00	Motor bracket	
8	2	482 02 20-01	Side detail	
9	1	482 01 30-00	Fan wheel	
10	2	476 06 64-00	Magn.Cont.Switch	
11	2	481 99 42-00	Attachement	
12	1	428 03 44-00	Air passage	1).
	1	428 03 44-01	Air passage	2).
13	2	428 00 85-00	Draught valve	
14	1	428 00 89-00	Safeguard	
15	1	428 00 82-00	Passage cpl.	
16	1	53 92 88-51	Washer	
17	2	499 76 19-00	Blast box	
18	2	491 49 12-01	Passage	
19	1	476 77 17-00	Strainer	
20	1	481 71 88-00	Strainer guide	
21	1	477 73 94-00	Gasket	
22	1	475 77 84-00	Drain pipe conn.	
23	1	490 13 79-00	Drain	
24	1	490 13 76-00	Drain	
25	1	87 79 50-205	Canal passage	
26	2	482 03 78-00	Cover plate	
27	1	428 00 86-00	Plate	
28	4	481 98 74-00	Draught valve	
29	2	491 49 12-00	Passage	
<b>30</b>	<b>1</b>	<b>428 08 26-00</b>	<b>Draught valve</b>	
31	1	478 08 64-01	Thermistor	
32	2	428 00 90-00	Side detail	
33	2	762 12 32-00	Inlet	

Bold print = Change

1). Left hand side feeding  
2). Right hand side feeding

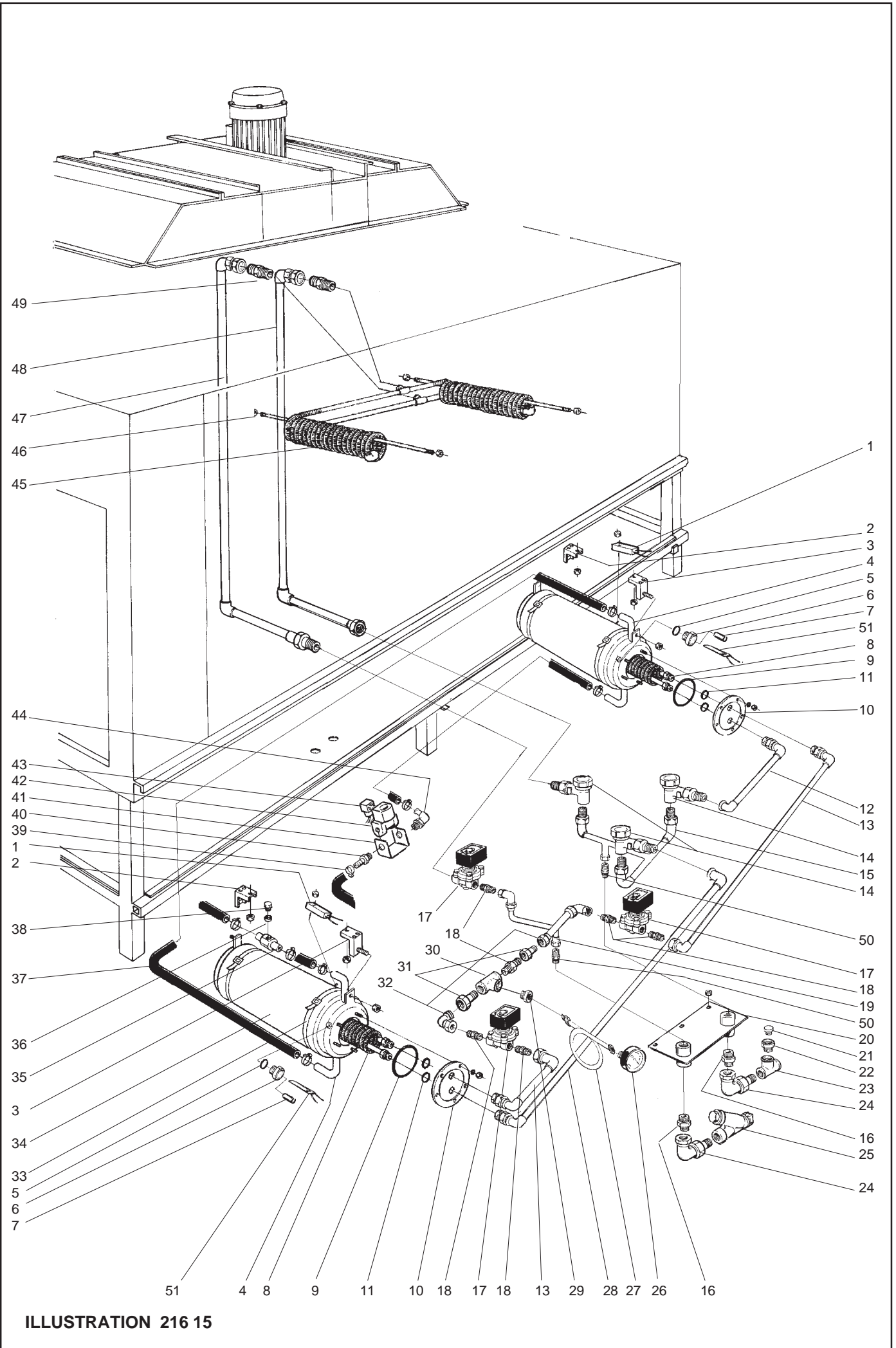


ILLUSTRATION 216 15

Drying tunnel L=1300,  
Booster, steam heated

## Illustration 21615

Edition 4 Month 06 Year 2003

Pos.	Quantity	Art. no	Description	Notes
1	2	478 08 64-01	Thermistor	5).
2	2	482 68 57-00	Attachment	
3	2	482 68 56-00	Attachment	
4	2	482 76 74-01	Booster, cpl.	
	2	499 82 56-00	Booster, cpl. acid proof	1).
5	4	740 43 03-14	O-ring	5,3X2,4
6	4	478 04 46-00	Pipe nipple	
7	4	482 21 38-04	Plug	5).
8	2	491 35 44-00	Steam coil	
9	2	477 74 08-00	O-ring	
10	2	482 56 80-00	Flange	
11	4	552 21 10-03	Gasket	29/21 t=1,5
12	1	428 01 83-00	Pipe, cpl.	
13	2	428 01 84-00	Pipe, cpl.	
14	3	63 79 74-01	Steam trap	
15	1	428 01 82-00	Pipe, cpl.	
16	2	741 31 17-21	Nipple	11/4"
17	3	482 17 40-06	Solenoid valve	60 Hz
18	6	741 31 15-22	Nipple	3/4"
19	1	428 01 87-00	Pipe, cpl.	
20	1	499 81 48-00	Joint bracket	
21	1	741 52 15-24	Plug	
22	1	741 41 25-20	Bushing	11/4"-3/4"
23	1	742 51 17-20	T-joint	11/4"
24	2	63 56 38-05	Angular coupling	11/4"-11/4"
25	1	428 07 57-00	Filth filter	11/4"
26	1	499 82 13-00	Pressure gauge	
27	1	499 84 56-00	Pipe Loop cpl.	
28	1	428 01 86-00	Pipe, cpl.	
29	1	741 31 12-20	Bushing	1/4"-3/4"
30	1	742 51 13-20	T-joint	3/4"
31	1	552 21 47-12	Joint	4). 22-3/4"
	1	552 21 48-12	Joint	4). 22-3/4"
32	1	428 01 87-00	Angular Joint	
33	4	475 85 15-12	Strip	
34	2	428 07 56-00	Insulation	
35	1	552 21 39-00	Connecting nipple	
36	1	552 21 10-00	Gasket	
37	1	428 07 58-01	Hose	1/2" blue
38	1	741 52 09-24	Plug	1/8"
39	x	736 28 19-90	Hose clamp	D=24
40	1	552 21 40-21	Hose nipple	1/2" - 15
41	1	499 81 61-00	Attachment	
42	1	482 00 00-09	Solenoid valve	
43	1	463 97 00-00	Cable terminal	
44	1	552 21 71-00	Angular hose nipple	1/2" - 15
45	1	482 43 07-01	Steam coil	2).
	1	482 43 08-01	Steam coil	3).
46	2	482 02 49-01	Bar	
<b>47</b>	<b>1</b>	<b>428 00 96-00</b>	<b>Pipe, cpl.</b>	
<b>48</b>	<b>1</b>	<b>428 01 80-00</b>	<b>Pipe, cpl.</b>	
49	2	741 31 15-20	Nipple	3/4"
50	2	741 38 25-24	Nipple	1/4"-3/4"
51	2	428 15 27-00	Thermistor	1).

**Bold print** = Change

- 1). As from 2002,03
- 2). Left hand side feeding
- 3). Right hand side feeding

- 4). Combined parts
- 5). Until 2002.03

- A Incoming cold water
- B To the booster heater
- C From the heat exchanger pump
- D To the cleaning ramp
- E Tank filling, hot water
- F Pre-wash cooling, cold water

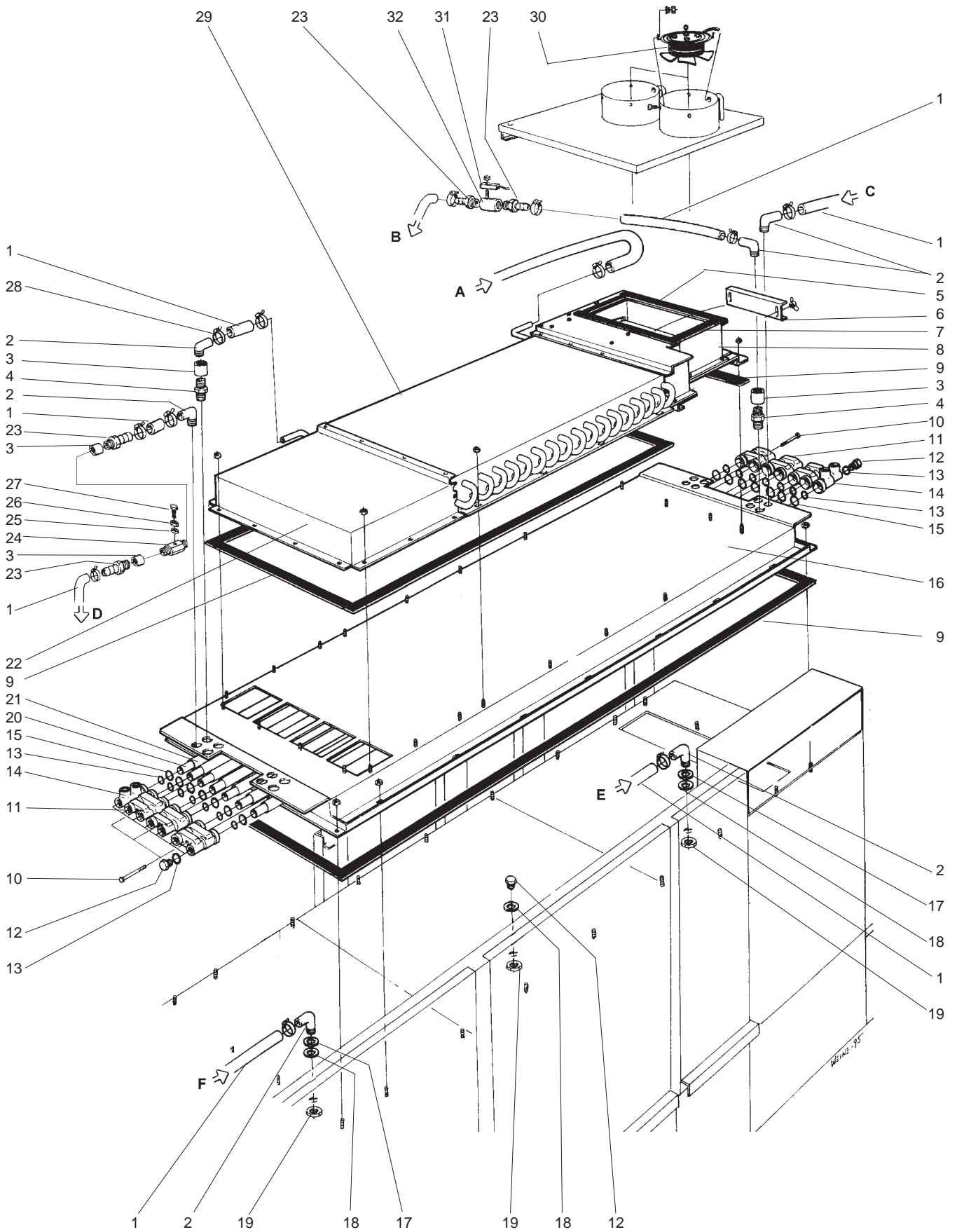


ILLUSTRATION 216 16

Energy saving device, ESD

**Illustration 21616**Edition  
3Month  
06Year  
2003

Pos.	Quantity	Art. no	Description	Notes
<b>1</b>	<b>x</b>	<b>428 07 58-01</b>	<b>Hose</b>	<b>1/2" blue</b>
2	6	552 21 71-00	Hose nipple	15x1/2"
3	4	741 21 13-20	Sleeve	1/2"
4	2	741 31 13-21	Nipple	1/2"
5	2	482 59 65-01	Sealing ribbon	
6	1	482 55 85-00	Draught valve	
7	2	482 59 65-00	Sealing ribbon	
8	1	482 54 77-00	Passage	1).
	1	482 54 76-00	Passage	2).
9	x	87 33 03-241	Sealing ribbon	
10	6	725 24 69-40	Screw	M6S 8x90
11	6	478 03 32-00	Coupl.hausing	
12	15	478 04 29-03	Plug	
13	28	740 43 15-14	O-ring	
14	2	478 03 33-00	Coupl.hausing	
15	14	478 03 03-00	O-ring	
16	1	490 14 41-00	Cond.drum	
17	2	734 11 92-09	Washer	21x37x3
18	3	552 21 10-03	Gasket	1/2"
19	3	741 11 13-24	Pipe nut	1/2"
20	7	477 97 81-01	Inner tube	
21	7	477 97 80-01	Outer tube	
22	1	490 14 42-00	Passage	
<b>23</b>	<b>4</b>	<b>552 21 40-21</b>	<b>Nipple</b>	<b>15x1/2"</b>
24	1	478 08 89-00	Regulationventil	
25	1	552 21 10-00	Gasket	16/10, T=1.5
26	1	552 21 21-05	Nut	
27	1	725 24 95-40	Screw	M10X30
<b>28</b>	<b>12</b>	<b>736 28 19-90</b>	<b>Hose clamp</b>	<b>Ø24</b>
29	1	481 95 91-00	Element	
30	1	477 98 00-00	Fan	WT730
	2	477 98 00-00	Fan	WT760, WT790
<b>31</b>	<b>1</b>	<b>478 08 64-01</b>	<b>Termistor</b>	
<b>32</b>	<b>1</b>	<b>428 06 93-01</b>	<b>Attachment</b>	

**Bold print** = Change1). Left hand side feeding  
1). Right hand side feeding

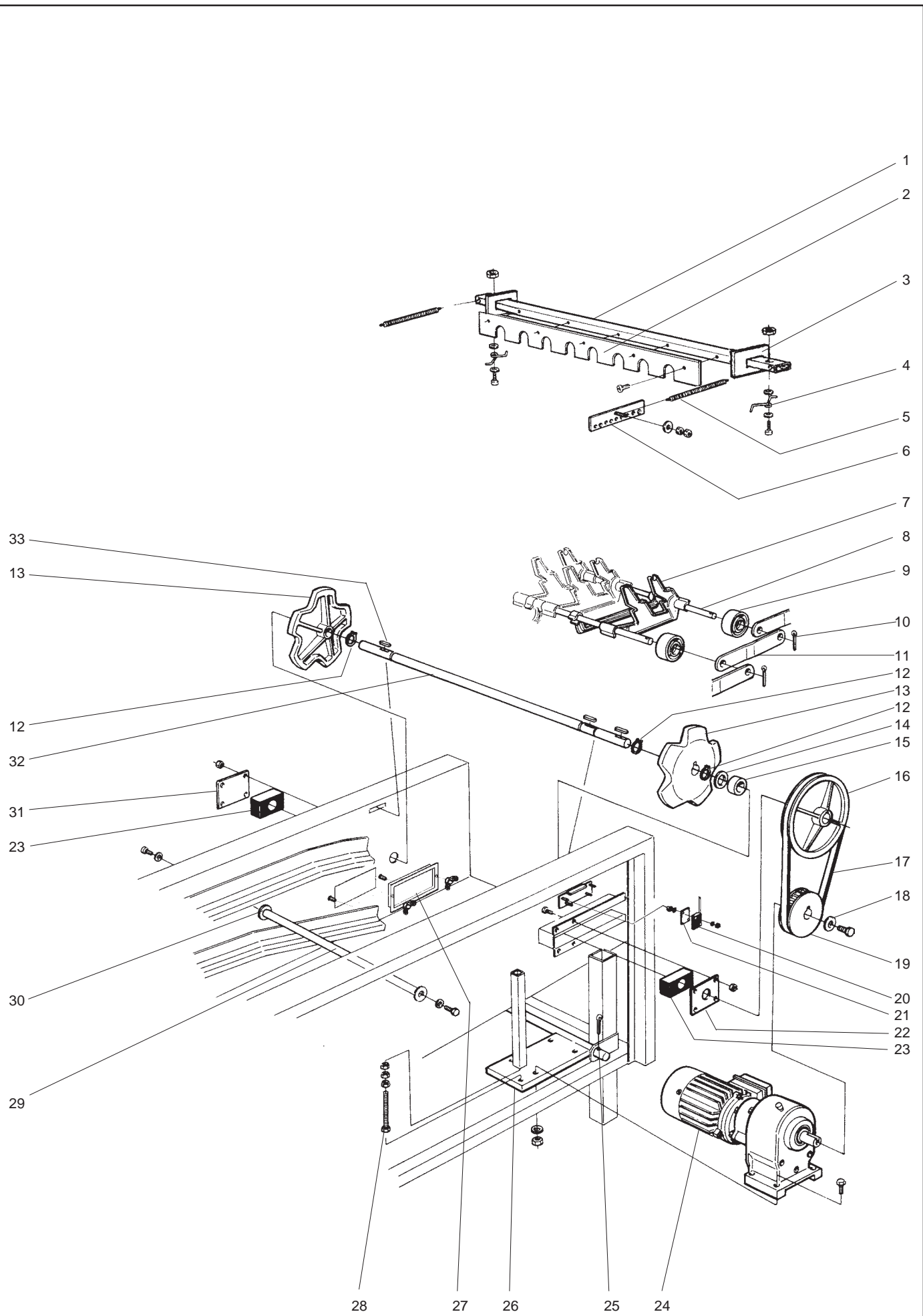


ILLUSTRATION 214 86UW

Feeding		Illustration 21486UW		Edition 1	Month 11	Year 2001
Pos.	Quantity	Art. no	Description	Notes		
1	1	491 48 88-00	Bar			
2	1	491 48 89-00	Safeguard			
3	2	482 02 04-00	Protective stud			
4	2	481 98 75-00	Spring			
5	2	477 62 76-01	Spring			
6	2	482 76 83-00	Adjusting attachment			
7	x	482 38 30-00	Finger link			
8	x	428 01 06-00	Shaft			
9	x	482 62 43-00	Pulley			
10	x	721 61 50-40	Dowel 2x12			
11	x	482 44 11-00	Outer link			
12	3	735 31 22-07	C-clamp	Sga20		
13	2	464 36 78-02	Cog weel			
14	1	734 11 92-09	Washer			
15	1	481 71 67-00	Distance			
16	1	467 60 78-02	Drive gear			
17	1	461 04 43-04	Toothed belt	WT730		
	1	461 04 43-03	Toothed belt	WT760		
	1	461 04 43-03	Toothed belt	WT790		
18	1	53 92 88-53	Washer			
19	1	461 04 44-01	Toothed disc	WT730		
	1	461 04 44-11	Toothed disc	WT760		
	1	461 04 44-12	Toothed disc	WT790		
20	2	478 06 14-00	Microswitch			
21	2	478 06 14-10	Protection			
22	1	481 71 28-01	Bearing cage			
23	2	481 72 83-00	Bearing			
24	1	490 14 59-00	Worm Gear Motor	440V,50/60 Hz		
25	2	721 61 87-40	Dowel	3.2x40		
26	1	491 48 87-00	Motor bracket	1).		
	1	491 48 87-01	Motor bracket	2).		
27	1	499 77 64-00	Inspection cover			
28	1	725 25 13-45	Screw	M6S 10x110		
29	3	482 01 42-01	Bar			
30	6	53 92 88-32	Wsaher			
31	1	481 71 28-00	Bearing cage			
32	1	491 48 77-00	Shaft			
33	3	735 93 02-40	Wedge	8x7x36		

- 1) Left hand side feeding  
2) Right hand side feeding

**Bold print** = Change

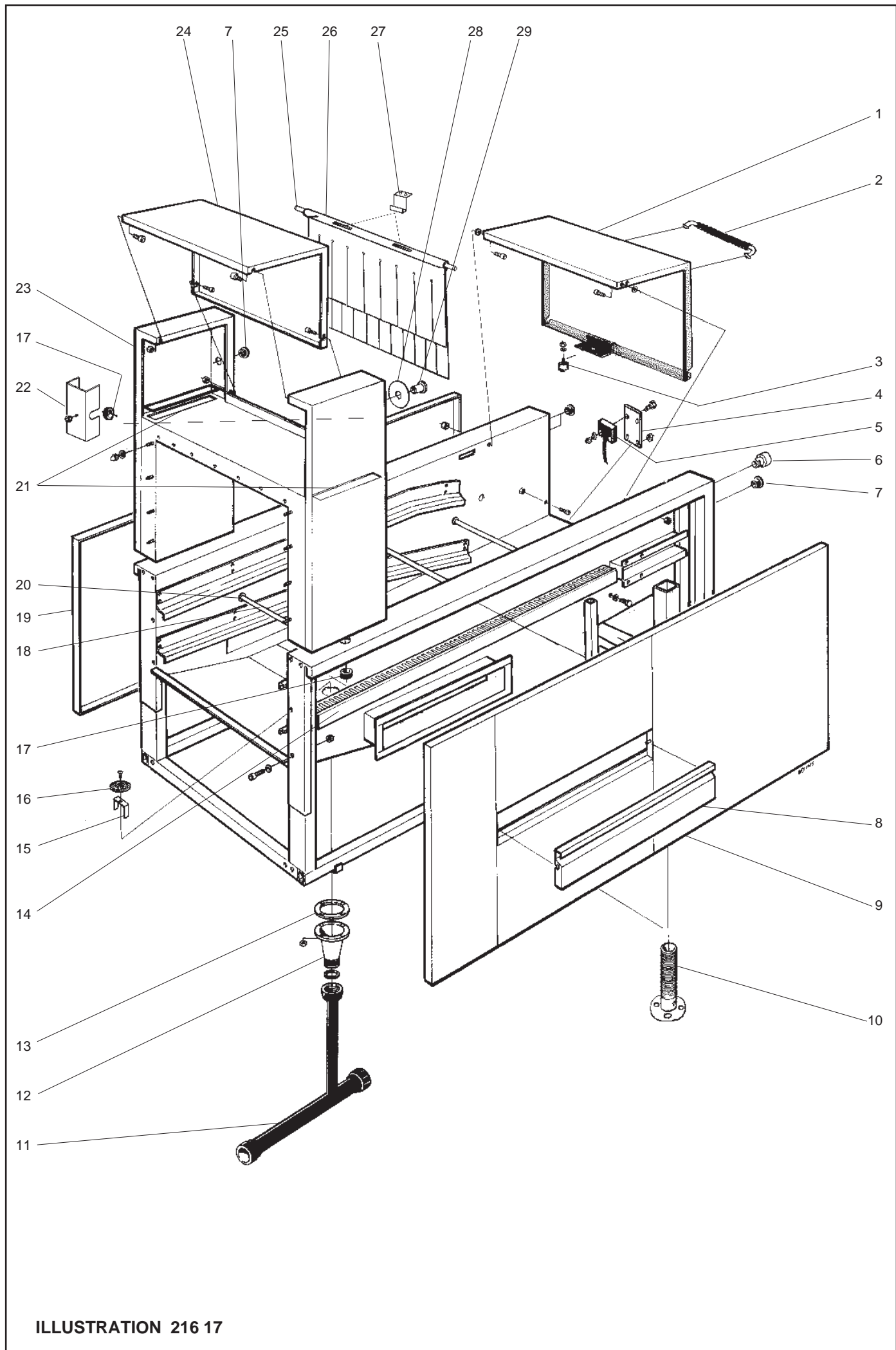


ILLUSTRATION 216 17



Unload section, L=1800

## Illustration 21617

Edition  
2Month  
03Year  
2002

Pos.	Quantity	Art. no	Description	Notes
1	1	428 01 39-00	Side unit	
2		482 26 56-01	Handle	
3	1	461 13 78-02	Magnet	
4	1	481 99 42-01	Attachement	
5	1	476 06 64-01	Magn.Cont.Switch	
6	1	767 11 01-00	Push button	
7	4	467 88 71-06	End plug	
8	2	491 34 99-00	Side unit	
9	1	491 35 00-00	Side	1).
	1	491 35 01-00	Side	2).
<b>10</b>	<b>2</b>	<b>499 66 07-00</b>	<b>Leg</b>	
	<b>2</b>	<b>428 10 19-00</b>	<b>Leg</b>	<b>3).</b>
11	1	490 13 78-00	Drain	
12	1	475 77 84-00	Drain pipe conn.	
13	1	477 73 94-00	Gasket	
14	1	87 79 50-205	Canal passage	
15	1	481 71 88-00	Holder	
16	1	476 77 17-00	Strainer	
17	2	762 12 32-00	Inlet	
18	3	482 01 42-01	Bar	
19		428 01 42-00	Backside	1).
		428 01 41-00	Backside	2).
20	6	53 92 88-32	Washer	
21	x	552 00 14-00	Plastic strip	
22	1	482 44 99-00	Guard	
23	1	491 48 80-00	Sluice Cpl.	
24	1	491 48 79-00	Top	
25	1	482 76 03-04	Curtain shaft	
26	1	491 48 91-00	Curtain	
27	2	482 76 93-00	Curtain attachment	
28	1	482 12 56-00	Plate	
29	1	482 12 55-00	Emergency switch	

Bold print = Change

- 1). Left hand side feeding  
2). Right hand side feeding  
3). From 2001.04

Attachment element				Edition 2	Month 02	Year 2002
Art. no	Benämning			Notes		
552 20 25-00 552 21 21-02	Korgmutter Flänsmutter	Cage nut Flange nut	Korbmutter Flansmutter	M5 M5		
53 92 88-32 53 92 88-51 722 78 43-02	Bricka Bricka Popnit	Washer Washer Blind rivet	Scheibe Scheibe Popnieta	BRB 6,4x38 RFR BRB 8,5x38 RFR 4x10,3		
732 31 14-40 732 31 16-40	Kupolmutter Mutter	Dome nut Nut	Kappenmutter Mutter	MHM 5 RFR MHM 6 RFR		
736 28 28-51 736 28 43-90 736 28 55-90	Slangklämma Slangklämma Slangklämma	Hose clamp Hose clip Hose clip	Schlauchklemme Schlauchschelle Schlauchschelle	Ø 38 Ø 75 Ø 138		
478 56 64-03 725 53 29-40	Skruv Skruv	Screw Screw	Schraube Schraube	LKCS 5x10 RFR MC6S 5x16 RFR		
725 54 51-40 728 83 21-09 728 84 47-09	Skruv Skruv Skruv	Screw Screw Screw	Schraube Schraube Schraube	MC6S 8x20 RFR SK6SS 5x6 RFR SK6SS 8x12 RFR		
734 11 24-09 734 11 36-09 734 48 84-40 734 11 46-09	Bricka Bricka Bricka Bricka	Washer Washer Washer Washer	Scheibe Scheibe Scheibe Scheibe	BRB 3,2x7 RFR BRB 4,3x9 RFR BRB 5,2x15 RFR BRB 5,3x10 RFR		
734 49 17-40 734 11 64-09 734 11 73-09	Bricka Bricka Bricka	Washer Washer Washer	Scheibe Scheibe Scheibe	BRB 6,5x16 RFR BRB 8,4x25 RFR BRB 10,5x21 RFR		
734 11 78-09 724 12 28-40	Bricka Skruv	Washer Screw	Scheibe Schraube	BRB 13x24 RFR MRX 3x16 RFR		
724 12 89-40 724 12 92-40 724 13 23-40	Skruv Skruv Skruv	Screw Screw Screw	Schraube Schraube Schraube	MRX 4x10 RFR MRX 4x14 RFR MRX 5x8 RFR		
724 13 31-40 725 23 27-40 725 23 31-40	Skruv Skruv Skruv	Screw Screw Screw	Schraube Schraube Schraube	MRX 5x20 RFR M6S 5x12 RFR M6S 5x20 RFR		
725 23 66-40 725 23 70-40 725 23 78-40	Skruv Skruv Skruv	Screw Screw Screw	Schraube Schraube Schraube	M6S 6x12 RFR M6S 6x20 RFR M6S 6x40 RFR		
725 24 49-40 725 24 53-40 725 24 69-40	Skruv Skruv Skruv	Screw Screw Screw	Schraube Schraube Schraube	M6S 8x16 RFR M6S 8x25 RFR M6S 8x90 RFR		
725 24 95-40 725 25 11-40	Skruv Skruv	Screw Screw	Schraube Schraube	M6S 10x30 RFR M6S 10x100 RFR		
731 23 10-40 731 23 12-40 731 23 16-40	Mutter Mutter Mutter	Nut Nut Nut	Mutter Mutter Mutter	M6M 3 RFR M6M 4 RFR M6M 6 RFR		
731 23 18-40	Mutter	Nut	Mutter	M6M 8 RFR		
731 23 20-40	Mutter	Nut	Mutter	M6M 10 RFR		
735 11 36-40 735 11 46-40 735 11 53-40	Fjäderbricka Fjäderbricka Fjäderbricka	Elastic washer Elastic washer Elastic washer	Federscheibe Federscheibe Federscheibe	FBB 4,1 RFR FBB 5,1 RFR FBB 6,1 RFR		
735 11 64-40 735 11 73-40	Fjäderbricka Fjäderbricka	Elastic washer Elastic washer	Federscheibe Federscheibe	FBB 8,2 RFR FBB 10.2 RFR		

Fet stil = Ändring

Bold print = Change

Fettdruck = Änderung

Attachment element				Edition	Month	Year
				1	10	2001
Art. no	Benämning			Notes		
724 32 87-40	Skruv	Screw	Schraube	MFX 4x8 RFR		
724 32 93-40	Skruv	Screw	Schraube	MFX 4x16 RFR		
724 33 31-40	Skruv	Screw	Schraube	MFX 5x12 RFR		
724 33 35-40	Skruv	Screw	Schraube	MFX 5x30 RFR		
724 33 64-40	Skruv	Screw	Schraube	MFXx10 RFR		
<b>ST0 17 87-00</b>	<b>Skruv</b>	<b>Screw</b>	<b>Schraube</b>	<b>M5x20 RFR</b>		
<b>ST0 17 87-01</b>	<b>Skruv</b>	<b>Screw</b>	<b>Schraube</b>	<b>M5x50 RFR</b>		

Fet stil = Ändring  
 Bold print = Change  
 Fettdruck = Änderung

