

**LAVAGGETTI FRONTALE
FRONT LOADING DISHWASHER****PW1M / PW1MH / PW2M
WT830M / WT830MH / WT850M
PW100M / PW100MH / PW200M**

Code	Type	Ref.	Page
506010	PW1M	a	2 4 6 8
506011	PW1M/UK	b	2 4 6 8
506012	PW1M/60Hz	c	2 4 6 8
506013	PW1MH	d	2 4 6 8
506014	PW2M	e	3 5 7 8
506015	PW2M/UK	f	3 5 7 8
506016	PW2M/60Hz	g	3 5 7 8
506018	WT830M	l	2 4 6 8
506019	WT830M/UK	m	2 4 6 8
506020	WT830M/60Hz	n	2 4 6 8
506022	WT850M	o	3 5 7 8
506023	WT850M/UK	p	3 5 7 8
506024	WT850M/60Hz	q	3 5 7 8
506026	WT830MH	r	2 4 6 8
698040	PW100M	s	2 4 6 8
698041	PW200M	t	3 5 7 8
698043	PW100MH	v	2 4 6 8
698044	LV100M	u	2 4 6 8
698045	LV200M	z	3 5 7 8

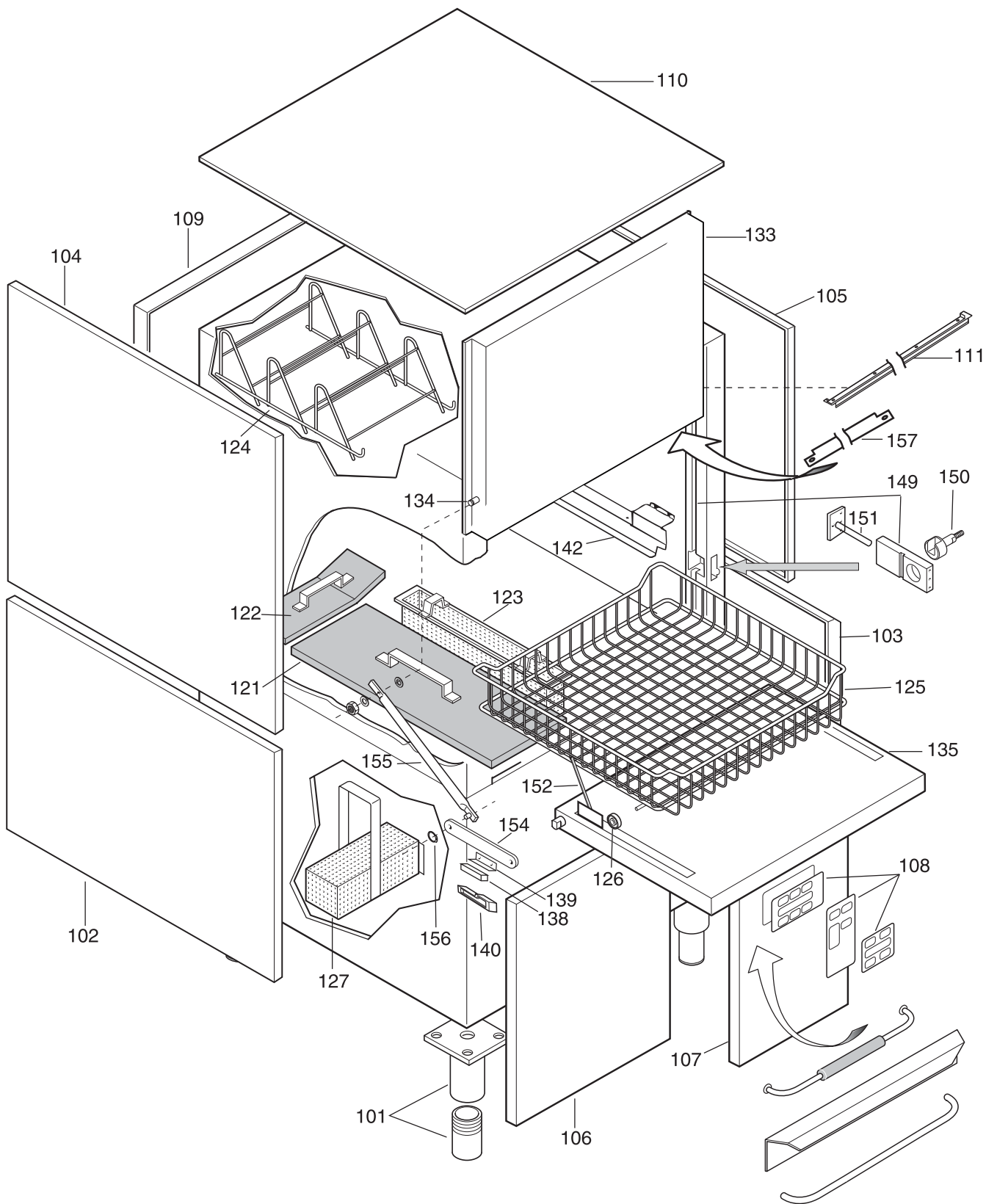
Pag. Indice

2	Vista generale *
3	Vista generale **
4	Componenti idraulici *
5	Componenti idraulici **
6	Circuito idraulico *
7	Circuito idraulico **
8	Componenti elettrici
9-11	Lista ricambi
*	PW1M/PW100M/WT830M
**	PW2M/PW200M/WT850M

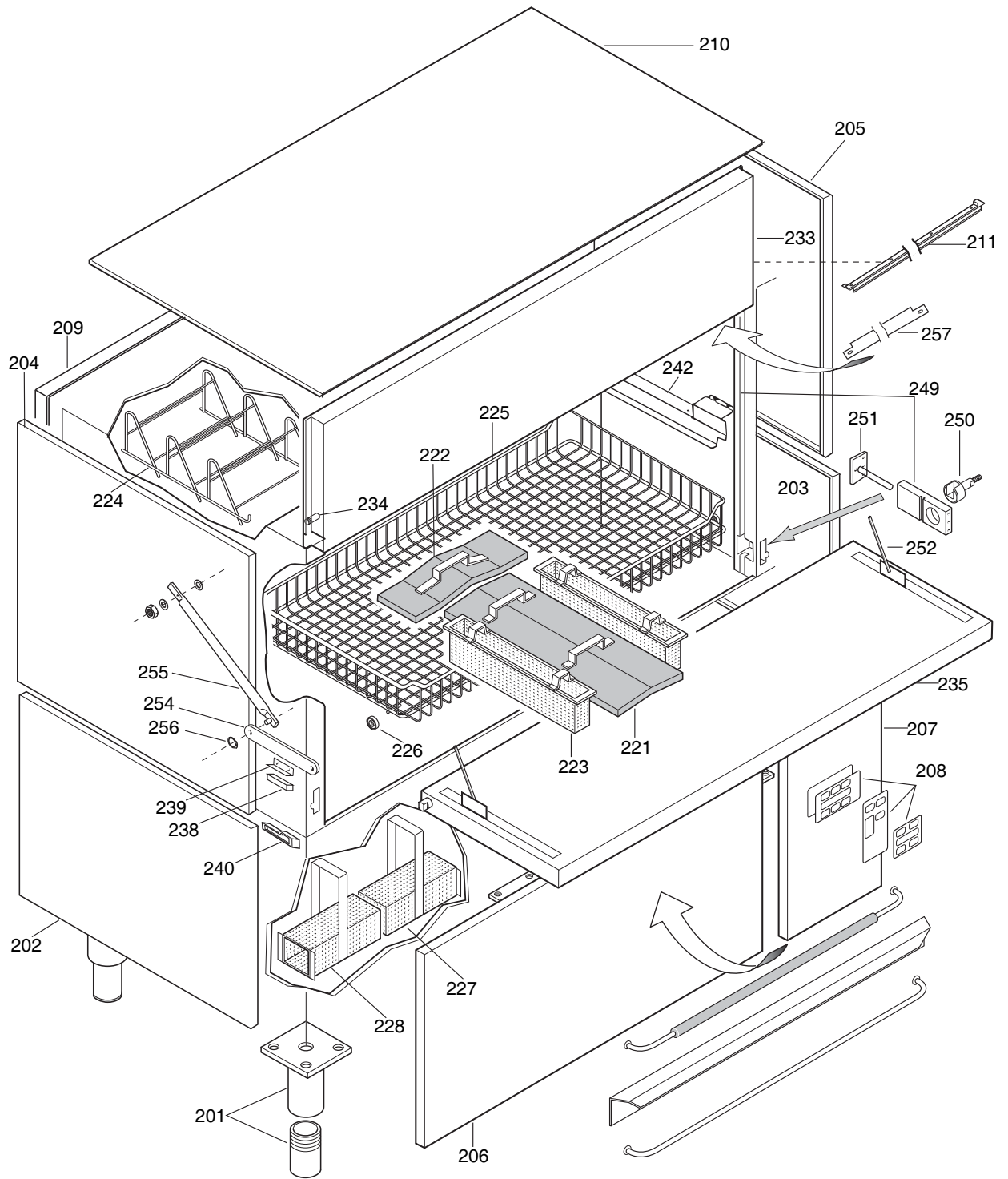
Index

Main view *
Main view **
Hydraulic components *
Hydraulic components **
Hydraulic circuit *
Hydraulic circuit **
Electrical components
Spare parts list

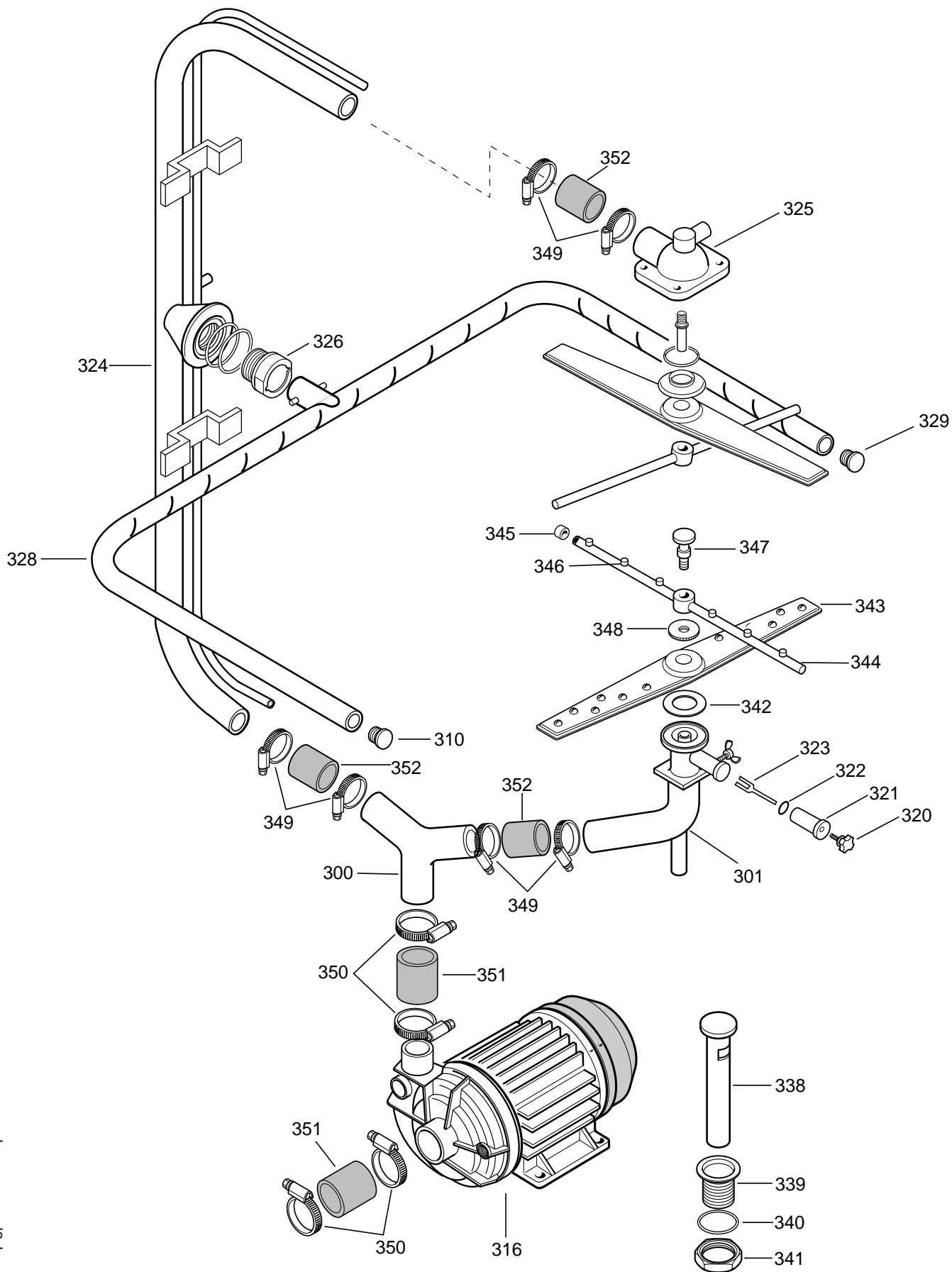
Marchio / Brand: Z - E - A
Paese / Country: Tutti / All



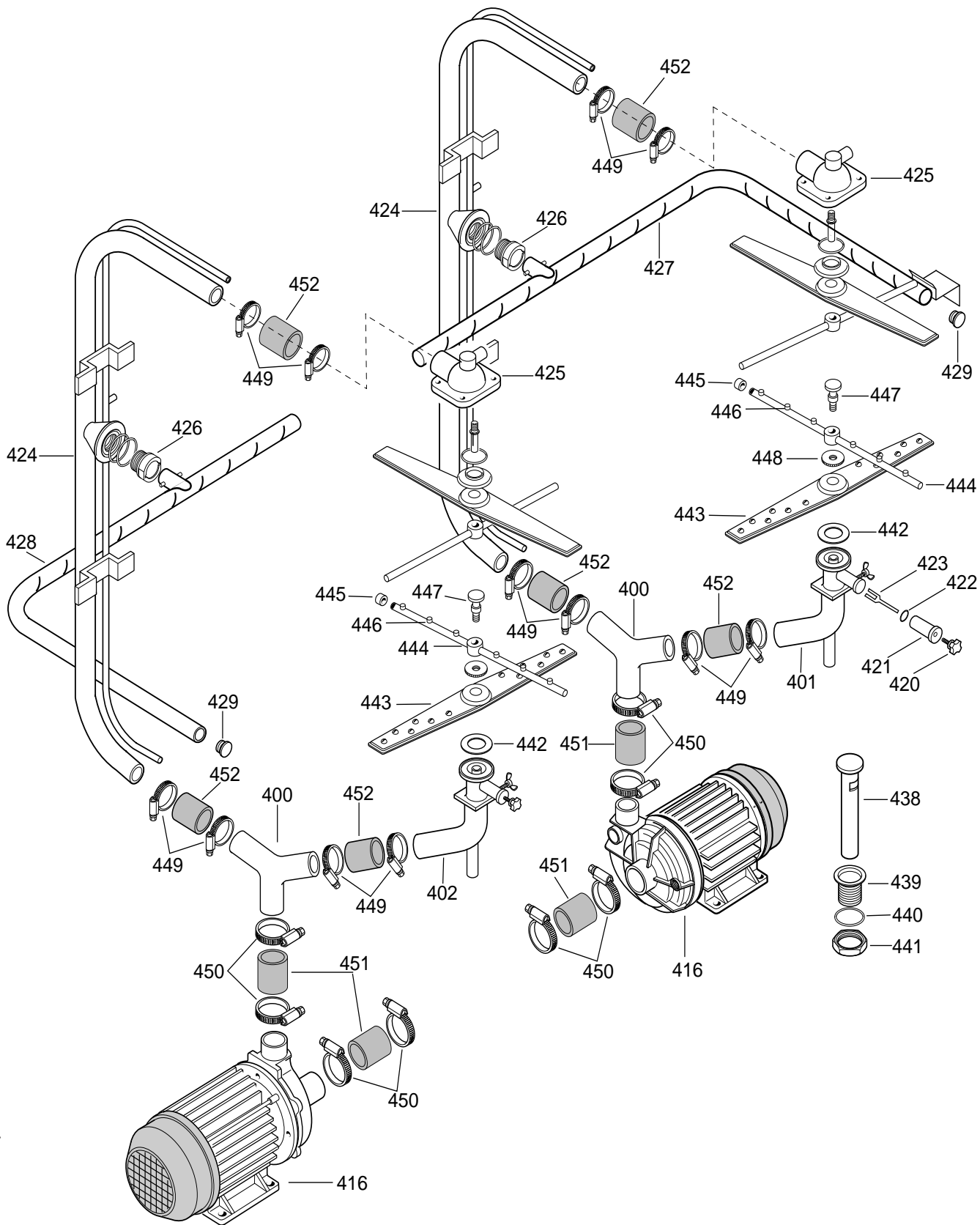
ill.681002p1



ill. 681002p2

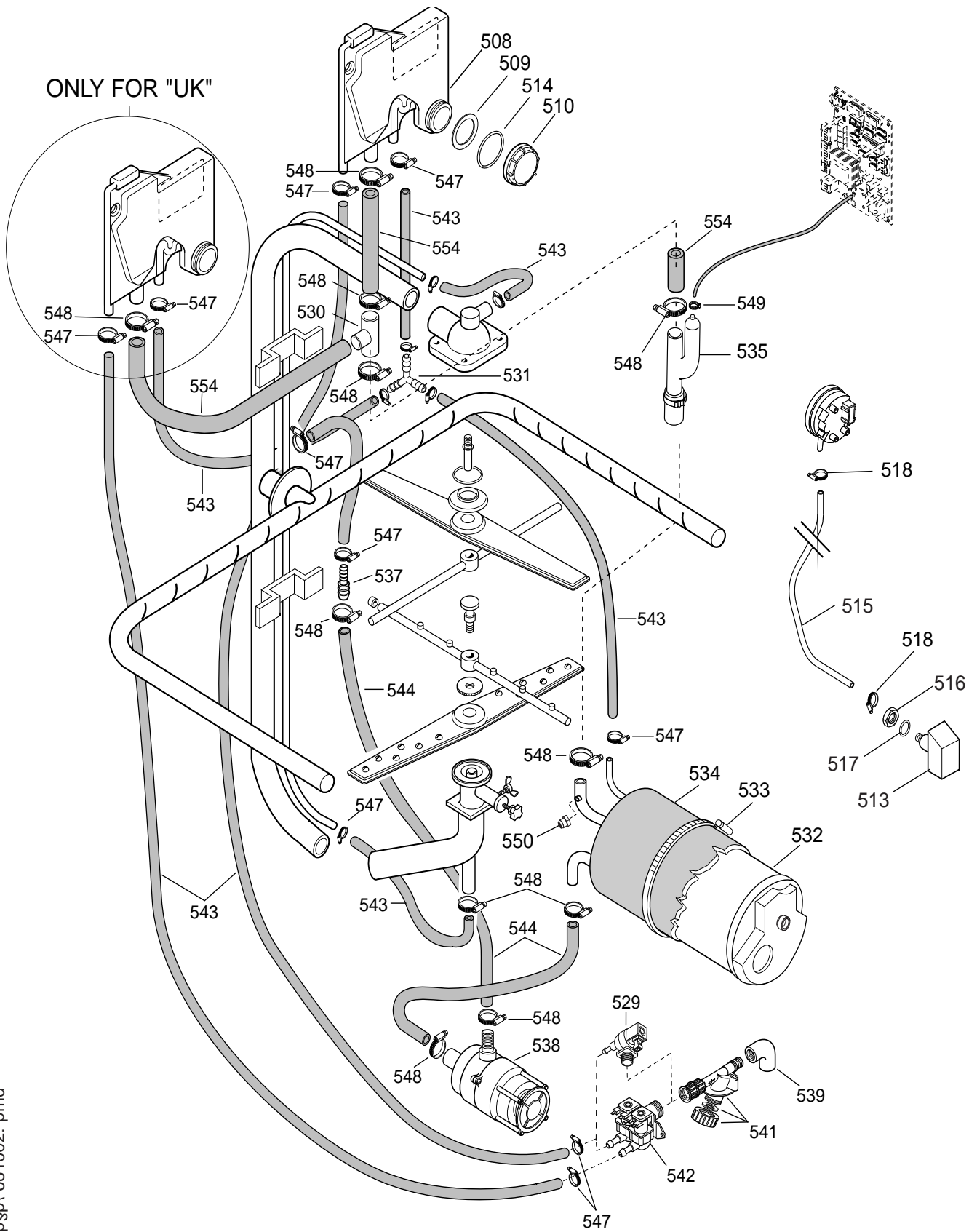


ill.681002p3



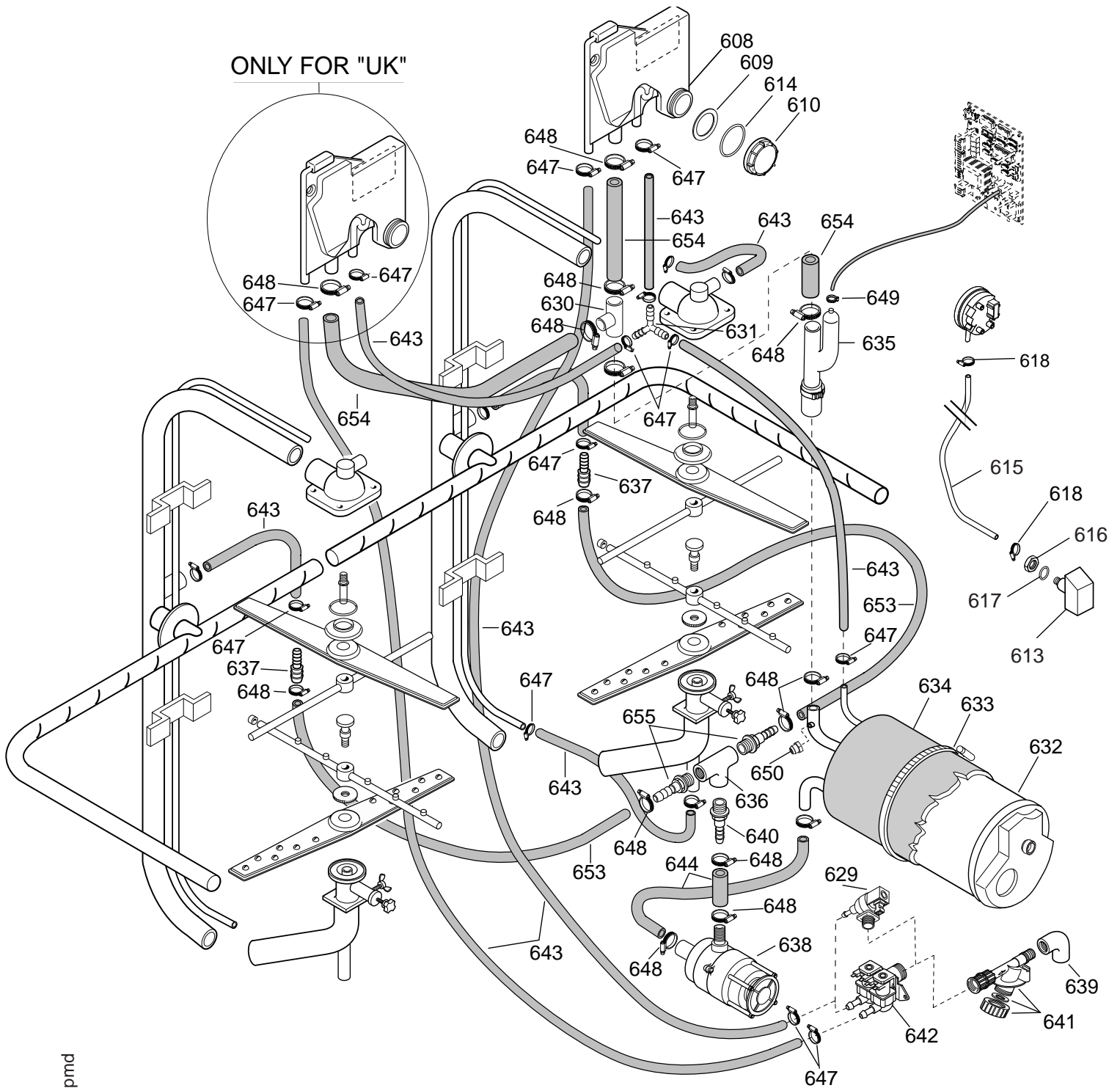
ill. 681002p4

ONLY FOR "UK"



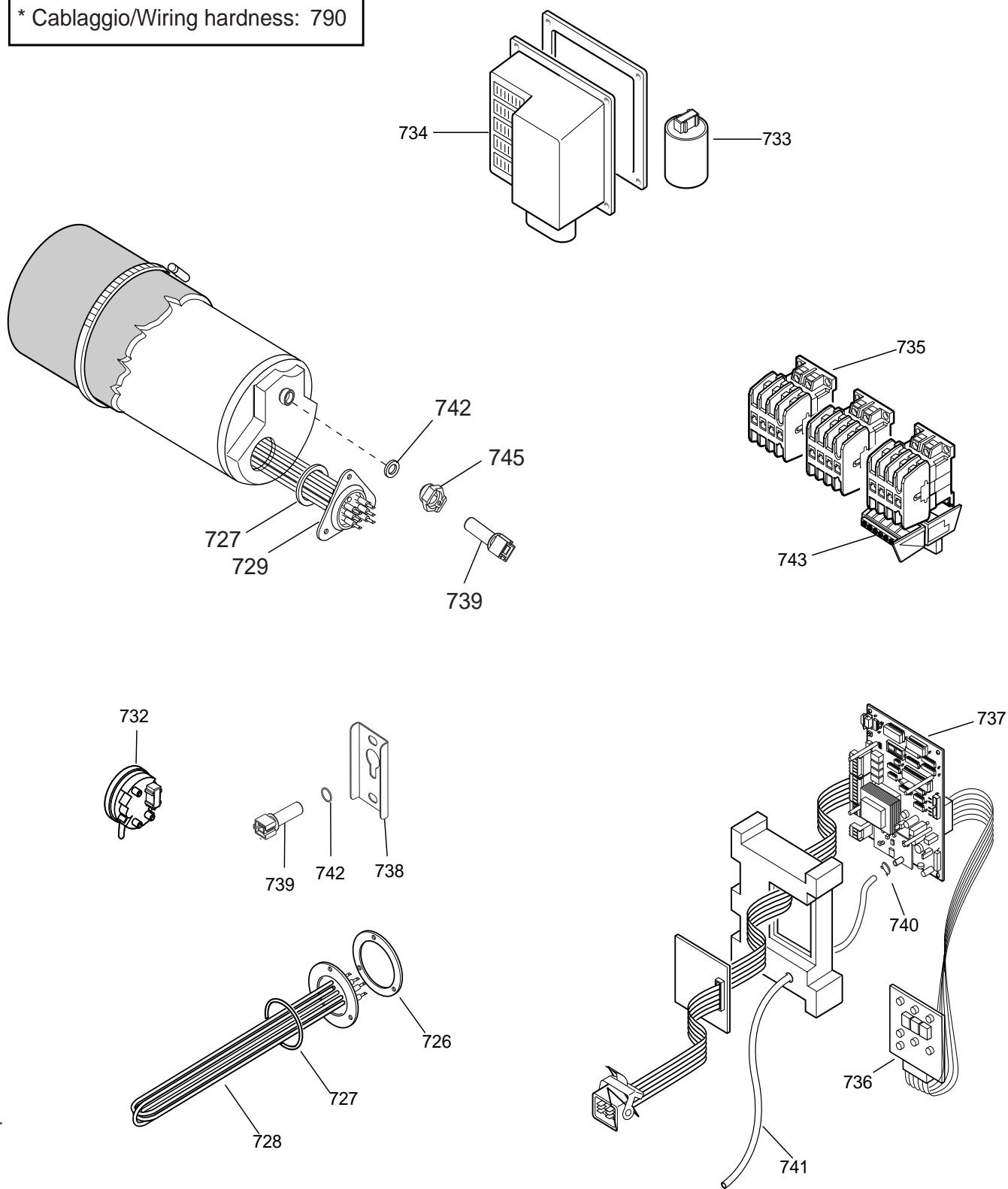
ill. 681002p5

ONLY FOR "UK"



ill. 681002p6

* Cablaggio/Wiring hardness: 790



ill.681002p7A

Lavaoggetti frontale **PW1M / PW1MH / PW2M**
Front loading dishwasher **WT830M / WT830MH / WT850M**

Pos	Code	Descrizione	Description	Ref. / Notes
		Pagina 2: Vista generale	Page 2: Main view	
101	048579	Piede; compl.	Foot; compl.	Up to ser. nr.: 309
101	0L0194	Piede; compl.	Foot; compl.	From ser. nr.: 310
102	049658	Pannello laterale; inferiore sx	Side panel; lower, left	
103	049659	Pannello laterale; inferiore dx	Side panel; lower, right	
104	049713	Pannello laterale; superiore sx	Side panel; upper, left	d,r,v
104	049660	Pannello laterale; superiore sx	Side panel; upper, left	a,b,c,l,m,n,s,u
105	049661	Pannello laterale; superiore dx	Side panel; upper, right	a,b,c,l,m,n,s,u
105	049714	Pannello laterale; superiore dx	Side panel; upper, right	d,r,v
106	049657	Pannello frontale	Front panel	a,b,c,d,l,m,n,r,s,v,u
107	049722	Pannello comandi	Control panel	s,v,u - Up to ser. nr. 126
107	049862	Pannello comandi	Control panel	s,v,u - From ser. nr. 127
107	049717	Pannello comandi	Control panel	l,m,n,r - Up to ser. nr. 126
107	049861	Pannello comandi	Control panel	l,m,n,r - From ser. nr. 127
				Up to ser. nr. 309
107	0L0246	Pannello comandi	Control panel	l,m,n,r - From ser. nr. 310
107	049655	Pannello comandi	Control panel	a,b,c,d - Up to ser. 126
107	049860	Pannello comandi	Control panel	a,b,c,d - From ser. 127
108	049718	Membrana adesiva	Stick membrane	l,m,n,r - Electrolux
				Up to ser. nr. 309
108	0L0243	Membrana adesiva	Stick membrane	l,m,n,r - Electrolux
				From ser. nr. 310
108	049609	Membrana adesiva	Stick membrane	s,v - Alpeninox
108	0L0161	Membrana adesiva	Stick membrane	u - Franstal
108	049656	Membrana adesiva	Stick membrane	a,b,c,d - Zanussi
109	049696	Schienale	Back	b,m
109	049662	Schienale	Back	a,c,d,l,n,r,s,v,u
110	049663	Coperchio	Cover	
111	504680803	Frangiflutti	Splashguard	Up to ser. nr.: 245
111	0L0135	Frangiflutti	Splashguard	From ser. nr.: 246
121	049673	Filtro piano	Filter plate	
122	049674	Filtro	Filter	
123	0E5183	Filtro; cestello	Filter; basket	
124	075690	Porta teglie	Tray support	
125	049664	Cesto	Basket	
126	049692	Ruota	Wheel	
127	049689	Protezione pompa; dx,compl.	Pomp protection;dx, compl.	
133	049670	Porta; superiore; compl.	Door; upper; compl.	a,b,c,l,m,n,s,u
				Up to ser. nr.: 245
133	0L0141	Porta; superiore; compl.	Door; upper; compl.	a,b,c,l,m,n,s,u
				From ser. nr.: 246
133	049712	Porta; superiore; compl	Door; upper; compl.	d,r,v - Up to ser. nr.: 245
133	0L0142	Porta; superiore; compl	Door; upper; compl.	d,r,v - From ser. nr.: 246
134	049672	Perno	Pin	
135	049671	Porta; compl	Door; compl.	a,b,c,d
135	049724	Porta; compl	Door; compl.	s,v,u
135	049719	Porta; compl	Door; compl.	l,m,n,r
138	049627	Magnete	Magnet	
139	501689900	Squadretta	Square	
140	049621	Sensore	Sensor	
142	049680	Guida cesto dx; compl.	Guide right; compl.	
142	049681	Guida cesto sx; compl.	Guide left; compl.	
149	049837	Ass.me guida dx;PW1H	Assembly guide dx;PW1H	d,r,v - Up to ser. nr.: 245
149	0L0139	Ass.me guida dx;PW1H	Assembly guide dx;PW1H	d,r,v - From ser. nr.: 246
149	049838	Ass.me guida sx;PW1H	Assembly guide sx;PW1H	d,r,v - Up to ser. nr.: 245
149	0L0140	Ass.me guida sx;PW1H	Assembly guide sx;PW1H	d,r,v - From ser. nr.: 246
149	049835	Ass.me guida dx;PW1	Assembly guide dx;PW1	a,b,c,l,m,n,s,u
				Up to ser. nr.: 245
149	0L0137	Ass.me guida dx;PW1	Assembly guide dx;PW1	a,b,c,l,m,n,s,u
				From ser. nr.: 246
149	049836	Ass.me guida sx;PW1	Assembly guide sx;PW1	a,b,c,l,m,n,s,u
				Up to ser. nr.: 245

KLIBRETTI\esposi\new pSp\ 681002. pmd

Lavaoggetti frontale **PW1M / PW1MH / PW2M**
Front loading dishwasher **WT830M / WT830MH / WT850M**

Pos	Code	Descrizione	Description	Ref. / Notes
149	0L0138	Ass.me guida sx;PW1	Assembly guide sx;PW1	a,b,c,l,m,n,s,u From ser. nr.: 246
150	049685	Perno	Pin	
151	049693	Fermo porta dx; compl	Door-stop dx; compl.	
151	049711	Fermo porta sx; compl	Door-stop sx; compl.	
152	049688	Leva appoggio porta	Lever	
154	049731	Leva per porta	Lever	d,r,v
154	049687	Leva per porta	Lever	a,b,c,l,m,n,s,u
155	049683	Tirante per porta	Tie-rod	a,b,c,l,m,n,s,u
155	049730	Tirante per porta	Tie-rod	d,r,v
156	027023	Anello di sicurezza	Clamp ring	
157	049868	Paraspruzzi	Splashguard	From ser.127
		Pagina 3: Vista generale	Page 3: Main view	
201	048579	Piede; compl.	Foot; compl.	Up to ser. nr.: 309
201	0L0194	Piede; compl.	Foot; compl.	From ser. nr.: 310
202	049658	Pannello laterale; inferiore sx	Side panel; lower, left	
203	049659	Pannello laterale; inferiore dx	Side panel; lower, right	
204	049660	Pannello laterale; superiore sx	Side panel; upper, left	
205	049661	Pannello laterale; superiore dx	Side panel; upper, right	
206	049705	Pannello frontale	Front panel	SX,PW2
207	049722	Pannello comandi	Control panel	t,z - Up to ser.126
207	049862	Pannello comandi	Control panel	t,z - From ser.127
207	049717	Pannello comandi	Control panel	o,p,q - Up to ser.126
207	049861	Pannello comandi	Control panel	o,p,q - From ser.127
				Up to ser. nr. 309
207	0L0246	Pannello comandi	Control panel	o,p,q - From ser. nr. 310
207	049655	Pannello comandi	Control panel	e,f,g - Up to ser.126
207	049860	Pannello comandi	Control panel	e,f,g - From ser.127
208	049609	Membrana adesiva	Stick membrane	t - Alpeninox
208	049720	Membrana adesiva	Stick membrane	o,p,q - Electrolux
				Up to ser. nr. 309
208	0L0243	Membrana adesiva	Stick membrane	o,p,q - Electrolux
				From ser. nr. 310
208	049656	Membrana adesiva	Stick membrane	e,f,g - Zanussi
208	0L0161	Membrana adesiva	Stick membrane	z - Franstal
209	049707	Schienale;SX	Back;SX	
209	049710	Schienale;DX	Back;DX	f,p
209	049706	Schienale;DX	Back;DX	e,g,o,q,t,z
210	049708	Coperchio	Cover	
211	504683903	Frangiflutti	Splashguard	Up to ser. nr.: 245
211	0L0136	Frangiflutti	Splashguard	From ser. nr.: 246
221	049699	Filtro piano	Filter plate	
222	049700	Filtro	Filter	
223	0E5183	Filtro; cestello	Filter; basket	
224	075690	Porta teglie	Tray support	
225	049709	Cesto	Basket	
226	049692	Ruota	Wheel	
227	049689	Protezione pompa; dx,compl.	Pomp protection;dx, compl.	
228	049701	Protezione pompa; Sx,compl.	Pomp protection;Sx, compl.	
233	049698	Porta; superiore; compl.	Door; upper; compl.	Up to ser. nr.: 245
233	0L0143	Porta; superiore; compl.	Door; upper; compl.	From ser. nr.: 246
234	049672	Perno	Pin	
235	049723	Porta; compl	Door; compl.	t,z
235	049721	Porta; compl	Door; compl.	o,p,q
235	049697	Porta; compl	Door; compl.	e,f,g
238	049627	Magnete	Magnet	
239	501689900	Squadretta	Square	
240	049621	Sensore	Sensor	
242	049680	Guida cesto dx; compl.	Guide right; compl.	

KLIBRETTI\esposi\new pSp\ 681002. pmd

Lavaoggetti frontale		PW1M / PW1MH / PW2M		
Front loading dishwasher		WT830M / WT830MH / WT850M		
Pos	Code	Descrizione	Description	Ref. / Notes
242	049681	Guida cesto sx; compl.	Guide left; compl.	
249	049835	Ass.me guida dx;PW2	Assembly guide dx;PW2	Up to ser. nr.: 245
249	0L0137	Ass.me guida dx;PW2	Assembly guide dx;PW2	From ser nr.: 246
249	049836	Ass.me guida sx;PW2	Assembly guide sx;PW2	Up to ser. nr.: 245
249	0L0138	Ass.me guida sx;PW2	Assembly guide sx;PW2	From ser nr.: 246
250	049685	Perno	Pin	
251	049693	Fermo porta dx; compl	Door-stop dx; compl.	
251	049711	Fermo porta sx; compl	Door-stop sx; compl.	
252	049688	Leva appoggio porta	Lever	
254	049687	Leva per porta	Lever	
255	049683	Tirante per porta	Tie-rod	
256	027023	Anello di sicurezza	Clamp ring	
257	049867	Paraspruzzi	Splashguard	From ser.127
		Pagina 4: Componenti idraulici	Page 4: Hydraulic components	
300	049726	Raccordo 3 vie;	Connection 3 way;	
301	049695	Supporto getti inferiore; DX	Jets support; lower,DX	
316	049669	Pompa lavaggio; 230-400V 3X 50HZ	Wash pump; 230-400V 3X 50HZ	a,b,d,l,m,r,s,v,u
316	049716	Pompa lavaggio 60Hz; 230-400V 3X	Wash pump 60Hz; 230-400V 3X	c,n
320	0E5642	Manopola	Knob	
321	0E5643	Guida	Guide	
322	049676	Guarnizione	Gasket	
323	0E5645	Riduttore portata	Bar	
324	049729	Tube; collegamento getti	Pipe; jets connection	d,r,v
324	049690	Tube; collegamento getti	Pipe; jets connection	a,b,c,l,m,n,s,u
325	046368	Supporto getti superiore	Jets support; upper	
326	049694	Attacco	Attack	
328	049691	Rampe laterali; compl.	Lateral ramp	
329	0E5227	Tappo 1/2 MSG	Plug 1/2 MSG	
338	049675	Troppo pieno	Overflow pipe	
339	075624	Supporto scarico	Support; drain	
340	047192	Guarnizione;troppo pieno	Gasket	
341	066079	Ghiera	Ring nut	
342	048401	Mozzo	Hub	
343	0L0389	Getto lavaggio	Wash jet	
344	0E5640	Getto risciacquo	Rinse jet	
345	0E5639	Tappo	Plug	
346	0E5107	Ugello 9506	Nozzle 9506	
347	048290	Perno; per getti risciaquo	Pin; for rinse jets	
348	0E5638	Dado;	Nut;	
349	046878	Fascetta 38-50	Hose clamp 38-50	
350	046853	Fascetta 68-85	Hose clamp 68-85	
351	046565	Tube gomma; 65x75	Hose; 65x75	
352	045768	Tube gomma; 45X55	Hose45x55	
		Pagina 5: Componenti idraulici	Page 5: Hydraulic components	
400	049726	Raccordo 3 vie;	Connection 3 way;	
401	049695	Supporto getti inferiore; DX	Jets support; lower,DX	
402	049704	Supporto getti inferiore; SX	Jets support; lower,SX	
416	049669	Pompa lavaggio; 230-400V 3X 50HZ	Wash pump; 230-400V 3X 50HZ	e,f,o,p,t,z
416	049716	Pompa lavaggio 60Hz; 230-400V 3X	Wash pump 60Hz; 230-400V 3X	g,q
420	0E5642	Manopola	Knob	
421	0E5643	Guida	Guide	
422	049676	Guarnizione	Gasket	
423	0E5645	Riduttore portata	Bar	
424	049690	Tube; collegamento getti	Pipe; jets connection	
425	046368	Supporto getti superiore	Jets support; upper	
426	049694	Attacco	Attack	
427	049703	Rampe laterali;DX, compl.	Lateral ramp;DX	
428	049702	Rampe laterali;SX, compl.	Lateral ramp;SX	

Lavaoggetti frontale **PW1M / PW1MH / PW2M**
Front loading dishwasher **WT830M / WT830MH / WT850M**

Pos	Code	Descrizione	Description	Ref. / Notes
429	0E5227	Tappo 1/2 MSG	Plug 1/2 MSG	
438	049675	Troppo pieno	Overflow pipe	
439	075624	Supporto scarico	Support; drain	
440	047192	Guarnizione;troppo pieno	Gasket	
441	066079	Ghiera	Ring nut	
442	048401	Mozzo	Hub	
443	0L0389	Getto lavaggio	Wash jet	
444	0E5640	Getto risciacquo	Rinse jet	
445	0E5639	Tappo	Plug	
446	0E5107	Ugello 9506	Nozzle 9506	
447	048290	Perno; per getti risciaquo	Pin; for rinse jets	
448	0E5638	Dado;	Nut;	
449	046878	Fascetta 38-50	Hose clamp 38-50	
450	046853	Fascetta 68-85	Hose clamp 68-85	
451	046565	Tubo gomma; 65x75	Hose; 65x75	
452	045768	Tubo gomma; 45X55,	Hose45x55	
		Pagina 6: Circuito idraulico	Page 6: Hydraulic circuit	
508	049481	Salto in aria; WRC	AIR GAP	b,m
508	049459	Salto in aria; WRC	AIR GAP	a,c,d,l,n,r,s,v,u
509	046595	Guarnizione	Gasket	Up to Ser: 126
509	049828	Guarnizione	Gasket	From Ser: 127
510	049480	Ghiera	Ring nut	
513	048308	Trappola d'aria per pressost.	Air trap	
514	049460	O ring	O Ring	
515	048883	Tubo 5x12 gomma	Hose; 5x12	
516	049268	Dado M14x1.5	Nut; M14x1,5	
517	068642	OR 2062x15.54	O Ring	
518	046946	Fascetta 8-12	Clamp 8-12	
529	049626	Elettrovalvola	Electric valve	a,c,d,l,n,r,s,v,u From Ser: 127
530	049677	Raccordo a ""T"" 3/4"	Connection ""T"" 3/4"	b,m - From Ser: 127
531	048195	Raccordo 3 vie; D 12-12	Connection 3 way; diam 12-12	b,m - From Ser: 127
532	049665	Boiler	Boiler	Up to ser. nr.: 322
532	0L0348	Boiler	Boiler	From ser. nr.: 323
533	048222	Fascetta 200-231	Hose clamp 200-231	
534	049415	Coimbentazione boiler	Boiler insulation	Up to Ser: 126
534	049859	Coimbentazione boiler	Boiler insulation	From Ser: 127
535	049628	Trappola d'aria;boiler	Air trap;boiler	Up to ser. nr.: 245
535	0L0098	Trapola d'aria;boiler	Air trap;boiler	From ser. nr.: 246
537	049734	Raccordo tubo 3/4""-1/2""	Connection 3/4""-1/2""	
538	049612	Pompa risciacquo;60Hz	Rinse pump;60Hz	c,n
538	049310	Pompa risciacquo;	Rinse pump;	a,b,d,l,m,r,s,v,u
539	049679	Gomito;90 GR	Elbow; 90 degr	
541	048746	Filtro	Filter	
542	049668	Elettrovalvola	Electric valve	Up to Ser: 126
542	049668	Elettrovalvola	Electric valve	b,m - From Ser: 127
543	0E5121	Tubo;	Hose	
544	049287	Tubo	Hose	Up to Ser: 126
544	049773	Tubo	Hose	From Ser: 127
547	048126	Fascetta 13-20	Hose clamp 13-20	
548	047578	Fascetta 26-38	Hose clamp 26-38	
549	0E5993	Fascetta 7,3-7,8	Hose clamp 7,3-7,8	
550	0L0349	Assieme tappo brillantante	Rinse aid plug assembly	From ser. nr.: 323
554	049287	Tubo	Hose	From Ser: 127

KLIBRETTI\esplosi\new pSp\ 681002. pmd

Lavaoggetti frontale PW1M / PW1MH / PW2M
Front loading dishwasher WT830M / WT830MH / WT850M

Pos	Code	Descrizione	Description	Ref. / Notes
		Pagina 7: Circuito idraulico	Page 7: Hydraulic circuit	
608	049481	Salto in aria; WRC	AIR GAP	f,p
608	049459	Salto in aria; WRC	AIR GAP	e,g,o,q,t,z
609	046595	Guarnizione	Gasket	Up to Ser: 126
609	049828	Guarnizione	Gasket	From Ser: 127
610	049480	Ghiera	Ring nut	
613	048308	Trappola d'aria per pressost.	Air trap	
614	049460	O ring	O Ring	
615	048883	Tubo 5x12 gomma	Hose; 5x12	
616	049268	Dado M14x1.5	Nut; M14x1,5	
617	068642	OR 2062x15.54	O Ring	
618	046946	Fascetta 8-12	Clamp 8-12	
629	049626	Elettrovalvola	Electric valve	e,g,o,q,t,z - From Ser: 127
630	049677	Raccordo a "T" 3/4"	"Connection "T" 3/4"	f,p - From Ser: 127
631	0E5423	Raccordo 3 vie; D 14	Connection 3 way; diam 14	f,p - From Ser: 902
632	049665	Boiler	Boylor	
633	048222	Fascetta 200-231	Hose clamp 200-231	
634	049415	Coimbentazione boiler	Boylor insulation	Up to Ser: 126
634	049859	Coimbentazione boiler	Boylor insulation	From Ser: 127
635	049628	Trapola d'aria;boiler	Air trap;boiler	Up to ser. nr.: 245
635	0L0098	Trapola d'aria;boiler	Air trap;boiler	From ser. nr.: 246
636	049678	Raccordo 3 vie; D 27	Connection 3 way; diam 27	Up to Ser: 126
636	0E5522	Raccordo 3 vie; D 3/4	Connection 3 way; diam 3/4	From Ser: 127
637	049734	Raccordo tubo 3/4"-1/2" MSG"	Connection 3/4"-1/2"	Up to Ser: 126
637	049734	Portagomma 13,5x20	Connection 13,5x20	From Ser: 127
638	049310	Pompa risciacquo;	Rinse pump;	e,f,o,p,t,z
638	049612	Pompa risciacquo;60Hz	Rinse pump;60Hz	g,q
639	049679	Gomito;90 GR	Elbow; 90 degr	
640	0E5635	Raccordo	Connection	Up to Ser: 126
640	0E2594	Portagomma 3/4x25	Connection 3/4x25	From Ser: 127
641	048746	Filtro	Filter	
642	049668	Elettrovalvola	Electric valve	Up to Ser: 126
642	049668	Elettrovalvola	Electric valve	f,p - From Ser: 127
643	0E5121	Tubo;	Hose	
644	049287	Tubo	Hose	Up to Ser: 126
644	049773	Tubo	Hose	From Ser: 127
647	048126	Fascetta 13-20	Hose clamp 13-20	
648	047578	Fascetta 26-38	Hose clamp 26-38	
649	0E5993	Fascetta 7,3-7,8	Hose clamp 7,3-7,8	
650	0L0349	Assieme tappo brillantante	Rinse aid plug assembly	From ser. nr.: 323
653	076021	Tubo	Hose	From Ser. nr.: 127
654	049287	Tubo	Hose	From Ser. nr.: 127
655	0E5635	Portagomma 3/4x20	Connection 3/4x20	From Ser. nr.: 127

KLIBRETTI\esposi\new pSp\ 681002. pmd

Lavaoggetti frontale **PW1M / PW1MH / PW2M**
Front loading dishwasher **WT830M / WT830MH / WT850M**

Pos	Code	Descrizione	Description	Ref. / Notes
		Pagina 8: Componenti elettrici	Page 8: Electrical components	
726	0E5492	Flangia	Flange	
727	0E5037	OR 56.52X5.33	OR 56.52X5.33	
728	0H2277	Resistenza.; 230/240V; 6,9/7,5kw,p.5	Heating element; 230/240V, 6,9/7,5kw	a,b,c,d,l,m,n,r,s,v
728	0E5116	Resistenza; 230,12kw,passo5	Heating element; 230V, 12kw	e,f,g,o,p,q,t,z
729	049757	Resistenza; 230V, 3,5kw, passo 5	Heating element; 230v, 3,5kw	Up to ser. nr. 322
729	049997	Resistenza; 230V, 10,5kw	Heating element; 230v, 10,5kw	From ser. nr. 323
732	049620	Pressostato	Pressure switch	
733	049303	Filtro RFI; trifase	RFI filter; three phase	
734	049618	Morsettiera	Junction box	Up to ser. nr.: 245
734	0L0111	Morsettiera	Junction box	From ser. nr.: 246
735	048825	Contattore; 230V, 50HZ, 25A	Contactor; 230V, 50Hz, 25A	a,b,d,e,f,l,m,o,p,r,s,t,v,u,z
735	0L0285	Contattore; 230V, 50HZ, 25A	Contactor; 230V, 50Hz, 25A	Up to ser. nr.: 322
735	048736	Contattore; 230V, 60HZ, 25A	Contactor; 230V,60Hz, 25A	a,b,d,e,f,l,m,o,p,r,s,t,v,u,z
735	0L0286	Contattore; 230V, 60HZ, 25A	Contactor; 230V,60Hz, 25A	From ser. nr.: 323
736	049623	Interfaccia utente	User interface	c,g,n,q - Up to ser. nr.: 322
736	049754	Interfaccia utente	User interface	c,g,n,q - From ser. nr.: 323
736	0L0548	Interfaccia utente	User interface	Up to Ser: 030
737	049750	Scheda madre	Main board	From Ser. nr.: 031/ See T.B.0041
737	049752	Scheda madre	Main board	Up to ser. nr.: 421
737	049751	Scheda madre	Main board	From Ser. nr.: 422
737	049753	Scheda madre	Main board	a,b,d,e,f,l,m,o,p,r,s,t,v,u,z
737	0L0541	Scheda madre	Main board	Up to Ser: 030
738	049580	Supporto; sonda di temp.	Support; temp.sound	a,b,d,e,f,l,m,o,p,r,s,t,v,u,z
738	0L0366	Supporto; sonda di temp.	Support; temp.sound	From Ser: 031/ See T.B.0041
739	049643	Sonda di temperatura	Temp.sound	Up to ser. nr.: 421
740	0E5993	Fascetta elastica 7,8-8,3	Hose clamp 7,8-8,3	Up to ser. nr.: 322
741	072393	Tubo gomma; L=2100 MM	Hose	Up to ser. nr.: 323
742	046376	OR 2037	O Ring	
743	0E5220	Protezione	Motor protection	
745	0L0280	Premistoppa	Stuffing box	From ser. nr.: 323
790	049869	Cablaggio	Wiring harness	
790	049870	Cablaggio aggiuntivo	Additional wiring harness	Only for e,f,g,o,p,q,t,z

KLIBRETTI\esplosi\new pSp\ 681002. pmd