

Modular Platform

Viale Treviso, 15
33170 Pordenone - Italy
Fax: +39 0434-380577

FRIGGITRICI GAS 15L N700
GAS FRYERS 15L N700

PNC	Model	Ref.	Page	Notes
178 114	PFR/G1S14	a	1-4	Gas Fryer 15L 400 MM
178 115	PFR/G2D14	b	1-4	Gas Fryer 15+15L 800MM
178 198	PFR/G1S14HV	c	1-4	Gas Fryer 15L 400 MM - NL
178 191	PFR/G2D14HV	d	1-4	Gas Fryer 15+15L 800MM - NL

Pag. 1 - 2
Pag. 3 - 4

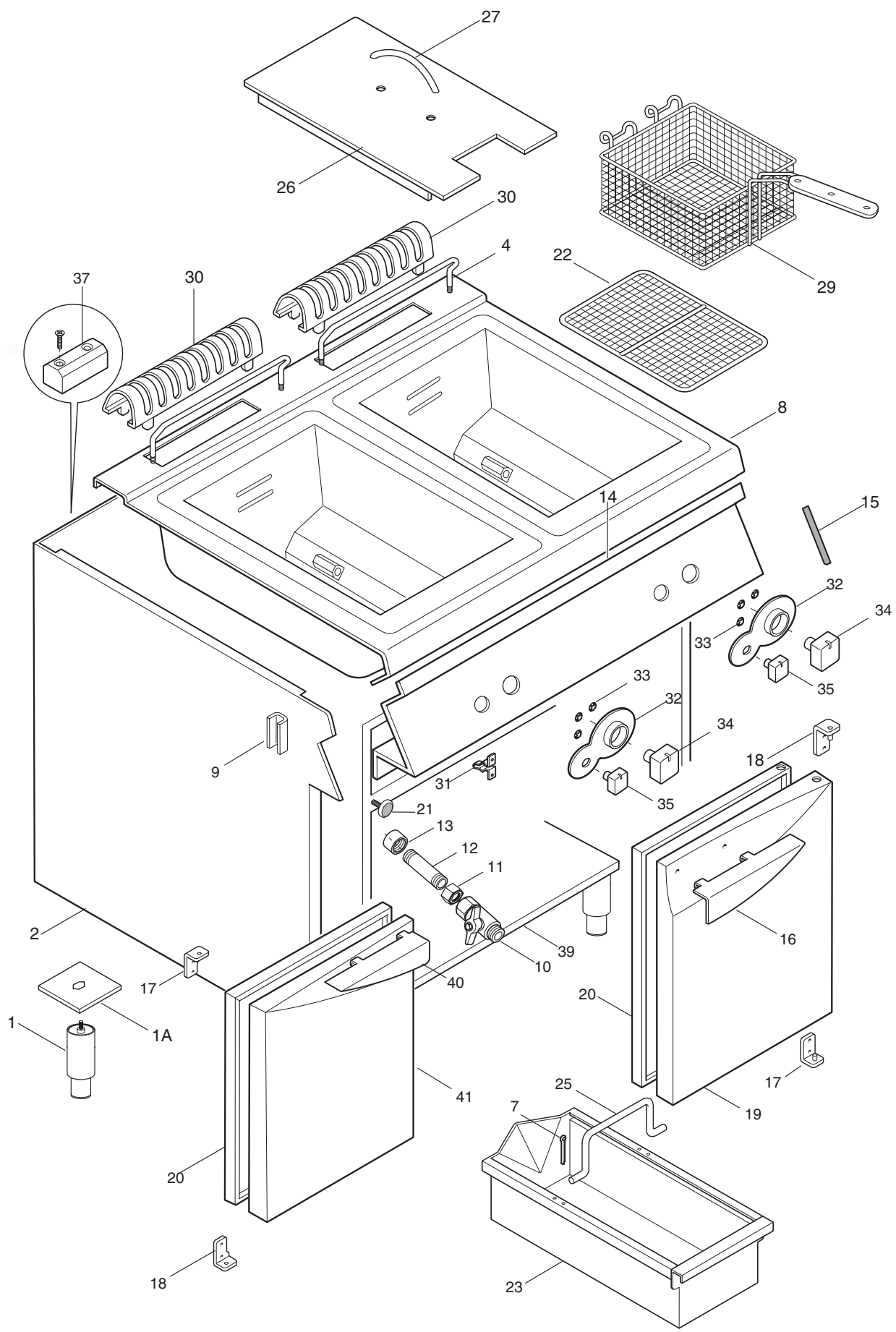
Index

Frame and components
Spare parts list

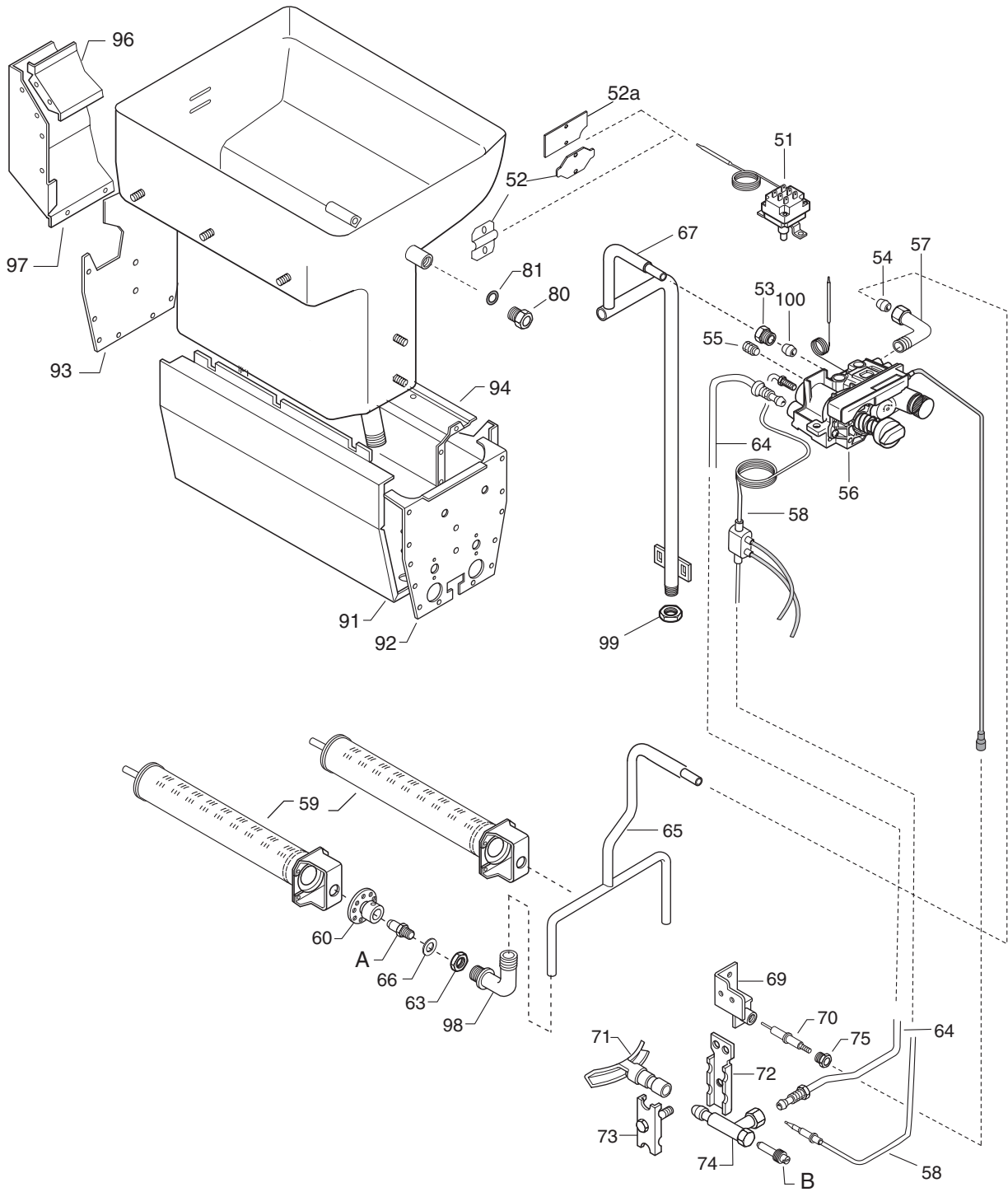
Indice

Struttura e componenti
Lista ricambi

Brand / Marchio : Zanussi
Factory code: 9PDX



FRIGGITRICI GAS 15L N700
GAS FRYERS 15L N700



A - Ugello bruciatore / Burner nozzle	
6DGT Code	Ref. / Notes
0C0729	ø2.40 2H/2E+ G20 20-25mbar
0C0730	ø2.65 2ELL G25 20mbar
0C0730	ø2.65 2L G25 25mbar
0C0730	ø2.65 2S/2E G25.1 25mbar
004732	ø1.35 3B/P G30 36mbar
004732	ø1.35 3+3B/P G30 30-50mbar

B - Ugello pilota / Pilot nozzle	
6DGT Code	Ref. / Notes
003327	n°40 2H/2E+ G20 20-25mbar
003327	n°40 2ELL G25 20mbar
003327	n°40 2L G25 25mbar
003327	n°40 2S/2E G25.1 25mbar
058525	n°30 3B/P G30 36mbar
058525	n°30 3+3B/P G30 30-50mbar

FRIGGITRICI GAS 15L N700
GAS FRYERS 15L N700

FRIGGITRICI GAS 15L N700
GAS FRYERS 15L N700

PNC	Model	Ref.	Notes
178 114	PFR/G1S14	a	Gas Fryer 15Lt
178 115	PFR/G2D14	b	Gas Fryer 15+15Lt
178 198	PFR/G1S14HV	c	Gas Fryer 15Lt - NL
178 191	PFR/G2D14HV	d	Gas Fryer 15+15Lt - NL

Pos	Factory Code	6DGT Code	Descrizione	Description	Ref/ Notes
			Pagina 1	Page 1	
1	0835856900	0C0204	PIEDE	FOOT	
1A	0508898900	0C0122	PIASTRA DI RINFORZO PER PIEDE	PLATE FOR FOOT	
2	0530867200	*	RIVESTIMENTO LATERALE 400MM	EXTERNAL PANEL 400MM	a c
	0530867300	*	RIVESTIMENTO LATERALE 800MM	EXTERNAL PANEL 800MM	b d
4	0516862900	0C0640	SUPPORTO CESTELLO	SUPPORT BASKET	
8	0873853702	0C2618	RIPIANO / VASCA 400mm	WORKTOP / TANK 400mm	a c
	0873853802	0C2619	RIPIANO / VASCA 800mm	WORKTOP / TANK 800mm	b d
					see PDX2007-13
9	0527850500	0C0156	PIASTRA FISSAGGIO FIANCHI	SIDE PANEL JOINTING PLATE	
10	0835848600	005927	VALVOLA SCARICO 3/4'	DRAIN VALVE 3/4'	till s/n 735
	0835841201	0A5439	VALVOLA SCARICO 1'	DRAIN VALVE 1'	since s/n 735
11	0511824800	*	CONNESSIONE	CONNECTION	since s/n 735
12	0517862500	*	PROLUNGA PER SCARICO	DRAIN EXTENSION	
13	0517863700	0C0637	MANICOTTO	COUPLING	
14	0853865700	0C0621	CRUSCOTTO 400mm	CONTROL PANEL 400mm	a c
	0853865800	0C0622	CRUSCOTTO 800mm	CONTROL PANEL 800mm	b d
15	0543821900	0L0113	GUARNIZIONE X CRUSCOTTO	GASKET, CONTROL PANEL	
16	0530844200	0C0463	MANIGLIA DESTRA	RIGHT HANDLE	
17	0516860801	0C0138	CERNIERA	HINGE, DOOR	
18	0516860901	0C0139	CERNIERA	HINGE, DOOR	
19	0529837201	0C0567	PORTA DESTRA	RIGHT DOOR	
20	0529836800	0C0177	CONTROPORTA	INNER DOOR	
21	0830898200	0C0201	MAGNETE PER PORTA	MAGNET, DOOR	
22	0830822500	005932	GRIGLIA DI FONDO	GRATE FOR BOTTOM	
23	050289402	005922	BACINELLA PER OLIO	BASIN FOR BASIN	
24	0219293205	0C0477	COPIGLIA	COTTER	
25	0516843002	005923	MANIGLIA BACINELLA	HANDLE, BASIN	
26	0522893500	0C2697	COPERCHIO	LID	
27	0511819000	0C0614	MANIGLIA COPERCHIO	HANDLE, LID	
29	0830822600	005933	CESTELLO	BASKET	
30	0522898200	0C2527	GRIGLIA CAMINO	GRID, CHIMNEY	a c
31	0518801801	053342	MOLLA PER MARCHIO	SPRING, BRAND	
32	0548856700	0C0623	GHIERA	RING, KNOB	
33	0218912211	069567	MOLLA PER GHIERA	SPRING, RING KNOB	
34	0548856500	0C0189	MANOPOLA TERMOSTATO	KNOB, THERMOSTAT	
35	0548856600	0C0190	MANOPOLA ACCENDITORE	KNOB, IGNITER	
37	0516860700	0C0137	PIASTRA GIUNZIONE APPARECC.	JOINTING REAR PLATE	
40	0530844300	0C0180	MANIGLIA SINISTRA	LEFT HANDLE	b d
41	0529837300	0C0179	PORTA SINISTRA	LEFT DOOR	b d

**FRIGGITRICI GAS 15L N700
GAS FRYERS 15L N700**

PNC	Model	Ref.	Notes
178 114	PFR/G1S14	a	Gas Fryer 15Lt
178 115	PFR/G2D14	b	Gas Fryer 15+15Lt
178 198	PFR/G1S14HV	c	Gas Fryer 15Lt - NL
178 191	PFR/G2D14HV	d	Gas Fryer 15+15Lt - NL

Pos	Factory Code	6DGT Code	Descrizione	Description	Ref./ Notes
			Pagina 2	Page 2	
51	0646810102	005931	LIMITATORE DI TEMPERATURA	SAFETY THERMOSTAT	till s/n 735
	0646816500	0C4279	LIMITATORE DI TEMPERATURA	SAFETY THERMOSTAT	since s/n 735
52	0527840000	0C0641	SUPPORTO BULBO LIMITATORE	SUPPORT	till s/n 735
	0527871901	0C4749	SUPPORTO BULBO LIMITATORE	SUPPORT SAFETY THERMOSTAT	since s/n 735
52a	0569806300	0C4748	ISOLANTE LIMITATORE	INSULATION SAFETY THERMOSTAT	since s/n 735 see PDX2007-13
53	0514862501	051950	RACCORDO 3/8"	3/8" PIPE FITTING	
54	0215170716	050682	OGIVA	RING	
55	0516865800	0C0625	TAPPO PER VALVOLA	STOPPER, VALVE	
56	0835859700	0C0624	VALVOLA GAS	GAS VALVE	
57	0515863200	0C0631	RACCORDO A "L"	"L" PIPE FITTING	
58	0830852101	056914	TERMOCOPPIA; INTERROTTA	THERMOCOUPLE; INTERRUPTED	
59	0830822201	005929	BRUCIATORE	BURNER	
60	0830828001	054039	AERATORE	AERATOR	
63	0214105101	020997	CONTRODADO	LOCK NUT	
64	0517897100	0C2948	CONDUTTURA PILOTA	PIPE, PILOT	
65	0870854100	0C5182	CONDUTTURA VALVOLA-BRUCIATORE	PIPE VALVE-BURNER	
66	0506833401	054029	GUARNIZIONE UGELLO	GASKET	
67	0870856800	0C4914	ENTRATA GAS FRIGG.15L	GAS INLET	a
	0870854600	0C4915	ENTRATA GAS FRIGG.15+15L	GAS INLET	b
69	0831819400	0C4365	SUPPORTO PILOTA	SUPPORT, PILOT	
70	0830863300	059380	ELETTRODO; ACCENSIONE	ELECTRODE	
71	0830819200	0A5441	CANNELLO PILOTA	BLOW PIPE	
72	0206993500	052256	STAFFA	BRACKET	
73	0206649700	052246	STAFFA	BRACKET	
74	0835854800	006725	PILOTA	PILOT BURNER	
75	0214164101	057960	RACCORDO ELETTRODO	PIPE FITTING, ELECTRODE	
80	0514874500	059295	RACCORDO	PIPE FITTING	
81	0543815000	059293	GUARNIZIONE	GASKET	
91	0533820700	*	CAMERA DI COMBUSTIONE	COMBUSTION CHAMBER	
92	0533820200	*	PARETE ANT. CAM. COMB.	FRONT PANEL	
93	0533819900	*	PARETE POST. CAM. COMB.	REAR PANEL	
94	0533820501	*	CONVOGLIATORE FUMI	CONVEJOR	
96	0533820300	*	PARETE ANT. CAMINO	FRONT CHIMNEY	
97	0533820400	*	PARETE POST. CAMINO	REAR CHIMNEY	
98	0511805401	059250	PORTAUGELLO 90°	INJECTOR HOLDER	
99	0514829301	0A2125	DADO PER TUBO	NUT FOR PIPE	
100	0215073101	060325	BICONO	DOUBLE CONE	