

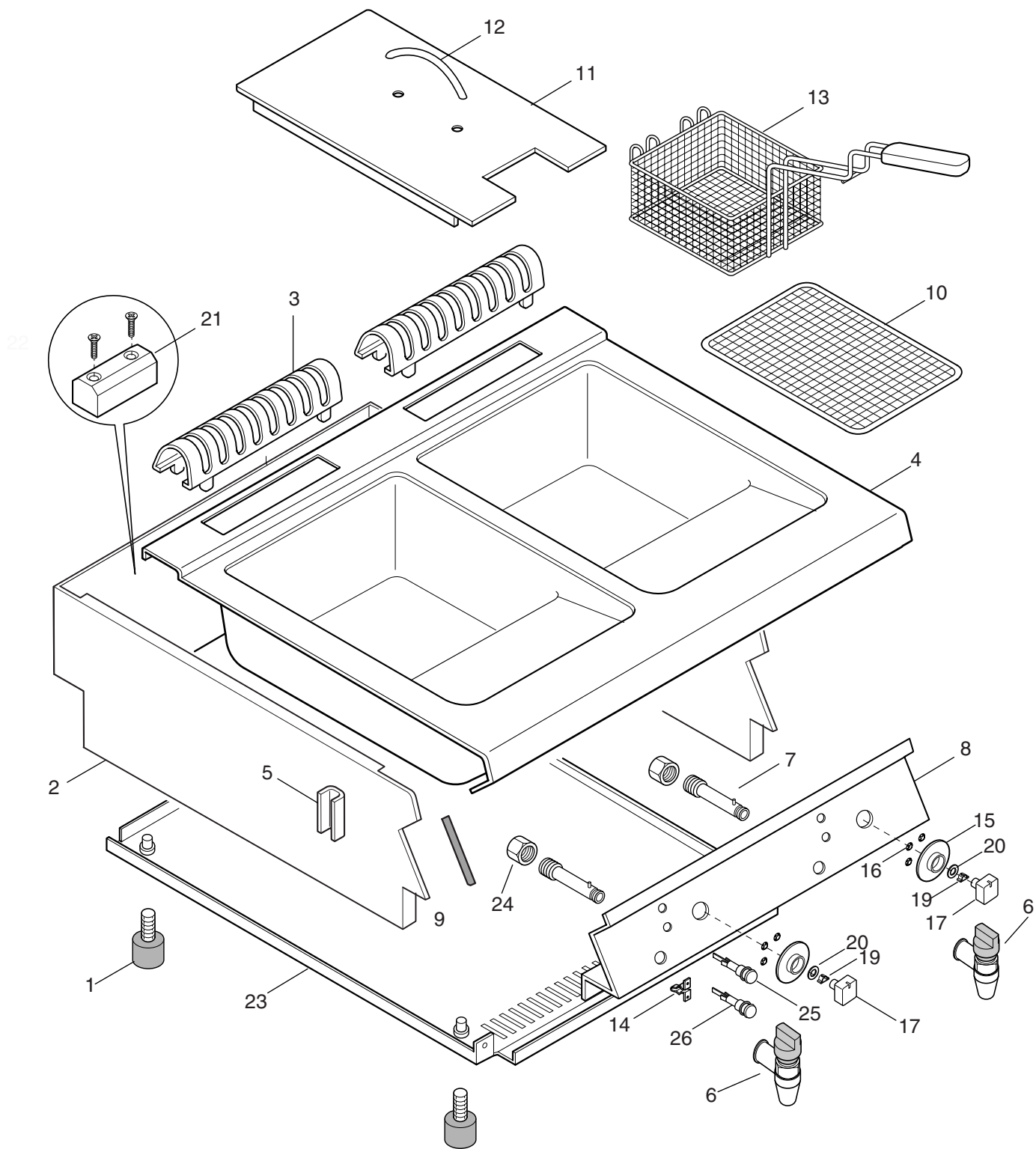
<b>PNC</b>	<b>Model</b>	<b>Ref.</b>	<b>Page</b>	<b>Notes</b>
178122	PF/E1S12	a	1-4	Electric Fryer Top (int. heat. Elements) 12Lt 400 MM
178123	PF/E2D12	b	1-4	Electric Fryer Top (int. heat. Elements) 12+12Lt 800 MM
178129	PF/E1S12E5	c	1-4	Electric Fryer Top (int. heat. Elements) 12Lt 400 MM - 230V
178130	PF/E2D12E5	d	1-4	Electric Fryer Top (int. heat. Elements) 12+12Lt 800 MM - 230V

Pag. 1 - 2  
Pag. 3 - 4

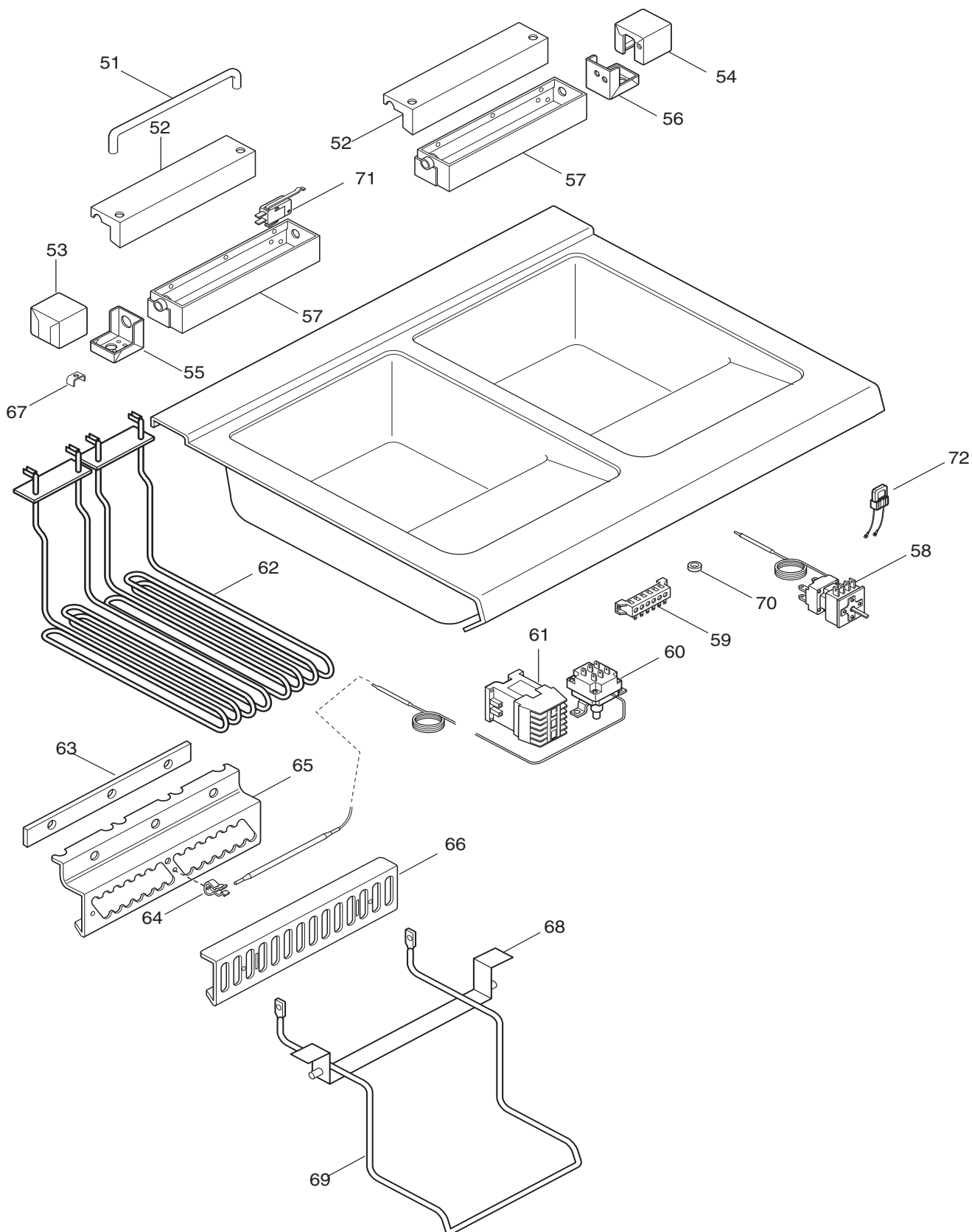
**Index**  
Frame and components  
Spare parts list

**Indice**  
Struttura e componenti  
Lista ricambi

**Brand / Marchio :** Zanussi  
**Factory code:** 9PDX



FRIGGITRICI ELETTRICHE TOP 12L N700  
 ELECTRIC FRYERS TOP 12L N700



FRIGGITRICI ELETTRICHE TOP 12L N700  
ELECTRIC FRYERS TOP 12L N700

**FRIGGITRICI ELETTRICHE TOP 12L N700**  
**ELECTRIC FRYERS TOP 12L N700**

PNC	Model	Ref.	Notes
178 122	PF/E1S12	a	Electric Fryer Top (int. heat. Elements) 12Lt 400mm
178 123	PF/E2D12	b	Electric Fryer Top (int. heat. Elements) 12+ 12Lt 800mm
178 129	PF/E1S12E5	c	Electric Fryer Top (int. heat. Elements) 12Lt 400 MM - 230V
178 130	PF/E2D12E5	d	Electric Fryer Top (int. heat. Elements) 12+12Lt 800 MM - 230V

Pos	Factory Code	6DGT Code	Descrizione	Description	Ref/ Notes
			<b>Pagina 1</b>	<b>Page 1</b>	
1	0315252601	026806	PIEDE	FOOT	
2	0522890100	*	RIVESTIMENTO LATERALE TOP 400MM	EXTERNAL PANEL TOP 400MM	a c till s/n 802
	0530866600	*	RIVESTIMENTO LATERALE TOP 400MM	EXTERNAL PANEL TOP 400MM	a c since s/n 802
	0522889100	*	RIVESTIMENTO LATERALE TOP 800MM	EXTERNAL PANEL TOP 800MM	b d till s/n 802
	0530866700	*	RIVESTIMENTO LATERALE TOP 800MM	EXTERNAL PANEL TOP 800MM	b d since s/n 802
3	0522898200	0C2527	GRIGLIA CAMINO	GRATE FOR CHIMNEY	
4	0873856101	0C2632	RIPIANO/VASCA 400MM	WORKTOP/TANK 400MM	a c
	0873856201	0C2633	RIPIANO/VASCA 800MM	WORKTOP/TANK 800MM	b d
5	0527850500	0C0156	PIASTRA FISSAGGIO FIANCHI	SIDE PANEL JOINTING PLATE	
6	0835867800	0C2669	VALVOLA SCARICO	DRAIN VALVE	
7	0517895901	0C3996	PROLUNGA SCARICO	DRAIN EXTENSION	
8	0853898600	0C2741	CRUSCOTTO 400mm	CONTROL PANEL 400MM	a c
	0853898700	0C2472	CRUSCOTTO 800mm	CONTROL PANEL 800MM	b d
9	0543821900	0C2496	GUARNIZIONE X CRUSCOTTO	GASKET, CONTROL PANEL	
10	0830885400	005965	GRIGLIA DI FONDO	GRATE FOR BOTTOM	
11	0522894600	0C2702	COPERCHIO	LID	
12	0511819000	0C0614	MANIGLIA COPERCHIO	HANDLE, LID	
13	0830841104	054960	CESTELLO	BASKET	
14	0518801801	053342	MOLLA PER MARCHIO	SPRING, BRAND	
15	0548858900	0C0615	GHIERA	RING, KNOB	
16	0218912211	069567	MOLLA PER GHIERA	SPRING, RING KNOB	
17	0548856800	0C0257	MANOPOLA	KNOB	
19	0214590701	025245	MOLLETTA PER MANOPOLA	SPRING, KNOB	
20	0543821000	053816	GUARNIZIONE PER MANOPOLA	GASKET, KNOB	
21	0516860700	0C0137	PIASTRA GIUNZIONE APPARECC.	JOINTING REAR PLATE	
23	0533827502	*	FONDO TOP 400MM	BOTTOM TOP 400MM	a c till s/n 802
	0530865400	*	FONDO TOP 400MM	BOTTOM TOP 400MM	a c since s/n 802
	0533823902	*	FONDO TOP 800MM	BOTTOM TOP 800MM	b d till s/n 802
	0530865500	*	FONDO TOP 800MM	BOTTOM TOP 800MM	b d since s/n 802
24	0517862300	0C0756	MANICOTTO	COUPLING	
25	0876800002	005010	LAMPADA VERDE	GREEN LAMP	
26	0876800102	005011	LAMPADA ARANCIO	ORANGE LAMP	

**FRIGGITRICI ELETTRICHE TOP 12L N700**  
**ELECTRIC FRYERS TOP 12L N700**

PNC	Model	Ref.	Notes
178 122	PF/E1S12	a	Electric Fryer Top (int. heat. Elements) 12Lt 400mm
178 123	PF/E2D12	b	Electric Fryer Top (int. heat. Elements) 12+ 12Lt 800mm
178 129	PF/E1S12E5	c	Electric Fryer Top (int. heat. Elements) 12Lt 400 MM - 230V
178 130	PF/E2D12E5	d	Electric Fryer Top (int. heat. Elements) 12+12Lt 800 MM - 230V

Pos	Factory Code	6DGT Code	Descrizione	Description	Ref./ Notes
			<b>Pagina 2</b>	<b>Page 2</b>	
51	0516880800	0C2578	SUPPORTO CESTELLI	SUPPORT, BASKET	
52	0522894400	0C2942	COPERCHIO SCATOLA RESISTENZE	COVER, HEATING ELEMENTS BOX	
53	0528851500	0C2943	COPERTURA SINISTRA	LEFT END COVER	
54	0528851400	0C2944	COPERTURA DESTRA	RIGHT END COVER	
55	0528851100	0C2945	SUPPORTO SINISTRO RESISTENZE	LEFT SUPPORT, HEAT.ELEMENT	b d
	0532815400	*	SUPPORTO SINISTRO RESISTENZE	LEFT SUPPORT, HEAT.ELEMENT	a c
56	0528851000	0C2946	SUPPORTO DESTRO RESISTENZE	RIGHT SUPPORT, HEAT.ELEMENT	
57	0853892402	0C2947	SCATOLA RESISTENZE	HEATING ELEMENTS BOX	
58	0446578713	052330	INTERRUTTORE CON TERMOSTATO	SWITCH WITH THERMOSTAT	
59	0A05714000	058613	MORSETTIERA FV122B	TERMINAL BOARD FV122B	a b c
	0639806002	002691	MORSETTIERA	TERMINAL BOARD	d
60	0646808800	004472	TERMOSTATO DI SICUREZZA	SAFETY THERMOSTAT	
61	0648807400	006879	CONTATTORE	CONTACTOR	
62	0617831900	0C2617	RESISTENZA	HEATING ELEMENT	
63	0525885501	0C0052	TRAVERSINO	CROSSBAR	
64	0214582200	052262	MOLLETTA FISSAGGIO CAPILLARI	SPRING, FIX CAPILLARY	
65	0522806401	0C0054	GUIDA ANTERIORE RESISTENZE	FRONTAL RUNNER, HEAT.ELEM.	
66	0522806201	0C0053	GUIDA POSTERIORE RESISTENZE	REAR RUNNER, HEAT.ELEM.	
67	0506837801	002505	PIASTRINA	PLATE	
68	0805847002	005366	SUPPORTO STAFFA	SUPPORT, HOLDER	
69	0516883001	0C2580	STAFFA PER RESISTENZE 18Lt	HOLDER FOR HEAT.ELEM. 18Lt	
70	0544802300	0C0068	PRESSACAVO	SCREW CABLE GLAND	
71	0640803300	002785	MICROINTERRUTTORE	MICRO SWITCH	
72	0694801600	003510	SNUBBER	SNUBBER	a c