

Modular Platform

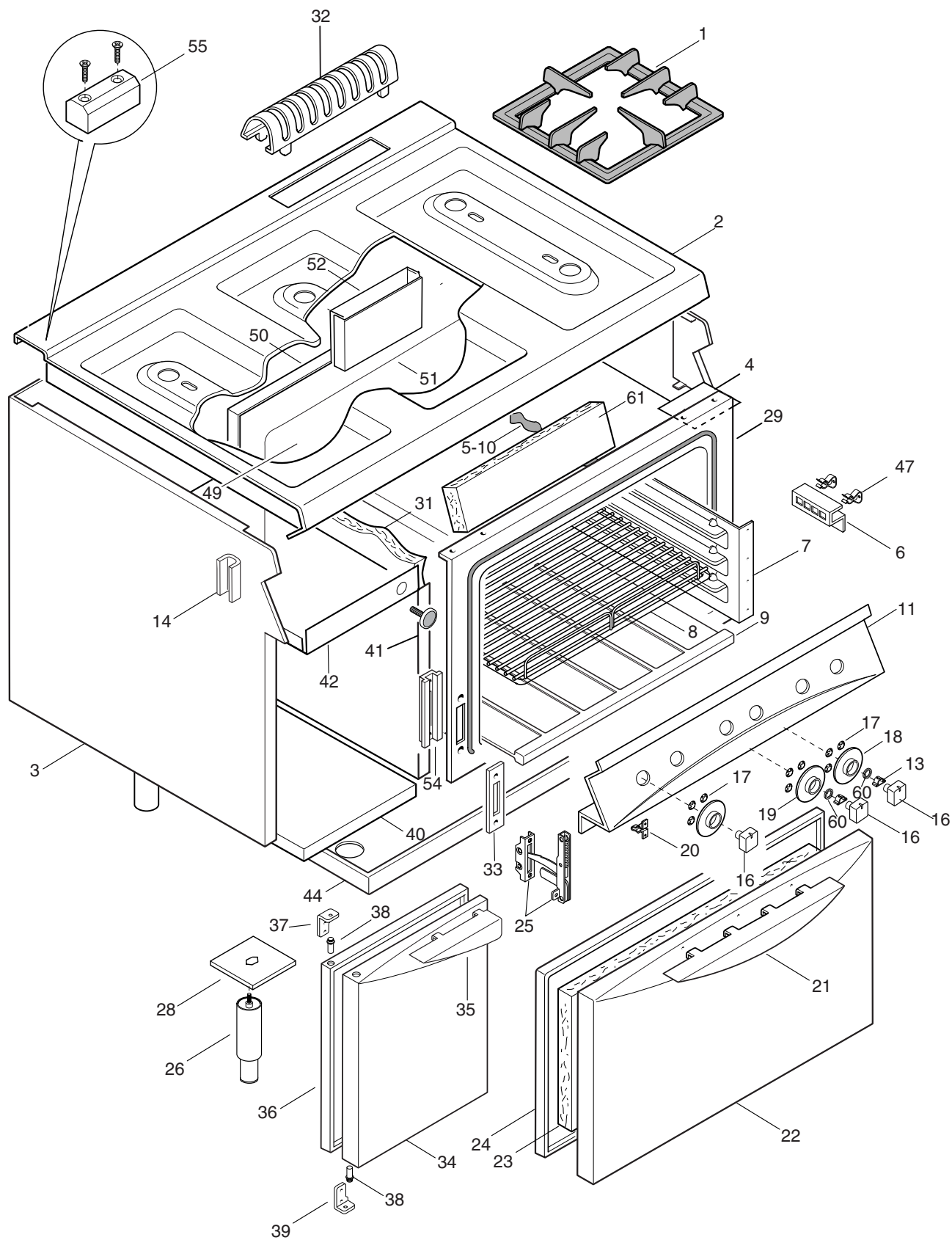
Viale Treviso, 15
33170 Pordenone - Italy
Fax: +390434-380577

**CUCINE GAS-FORNO ELETTRICO N700
BURNER GAS RANGE WITH ELECTRIC OVEN N700**

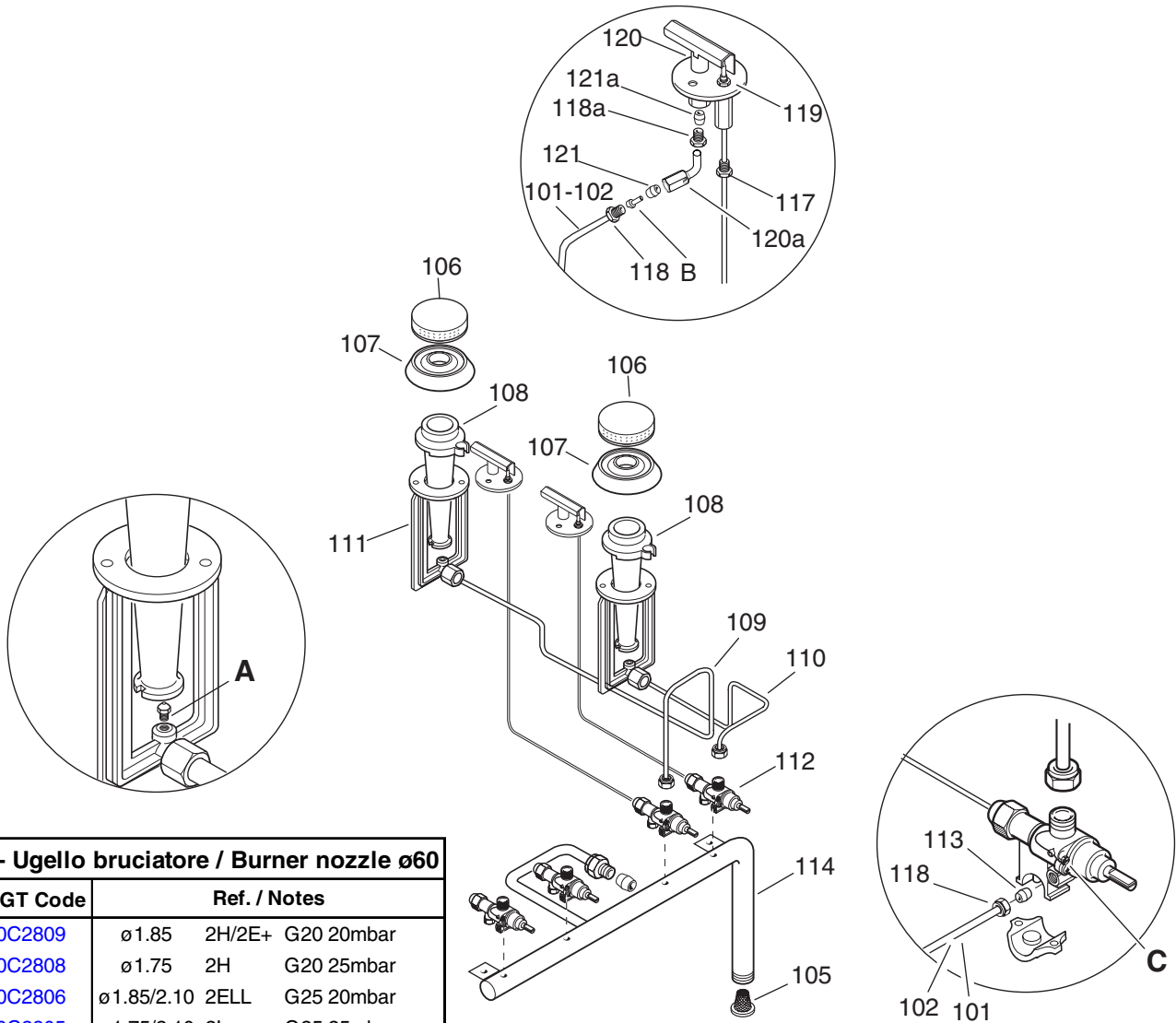
Code	Type	Ref.	Page	Notes
178 007	PCF/M2	a	1-7	4 Burners Gas Range+Electric oven 800 MM
178 008	PCF/M3	b	1-7	6 Burners Gas Range+Electric oven+Cupb 1200 MM
178 038	PCF/M2E5	c	1-7	4 Burners Gas Range+Electric oven 800 MM - 230V

Pag.	Indice	Index
1	Mobile e componenti	Structure and components
2	Impianto gas	Gas components
3	componenti elettrici	Electric components
4 - 7	Lista ricambi	Spare parts list

Marchio / Brand: Zanussi
Factory code: 9PDX



CUCINE GAS FORNO ELETTRICO-N700
 GAS RANGE WITH ELECTRIC OVEN-N700

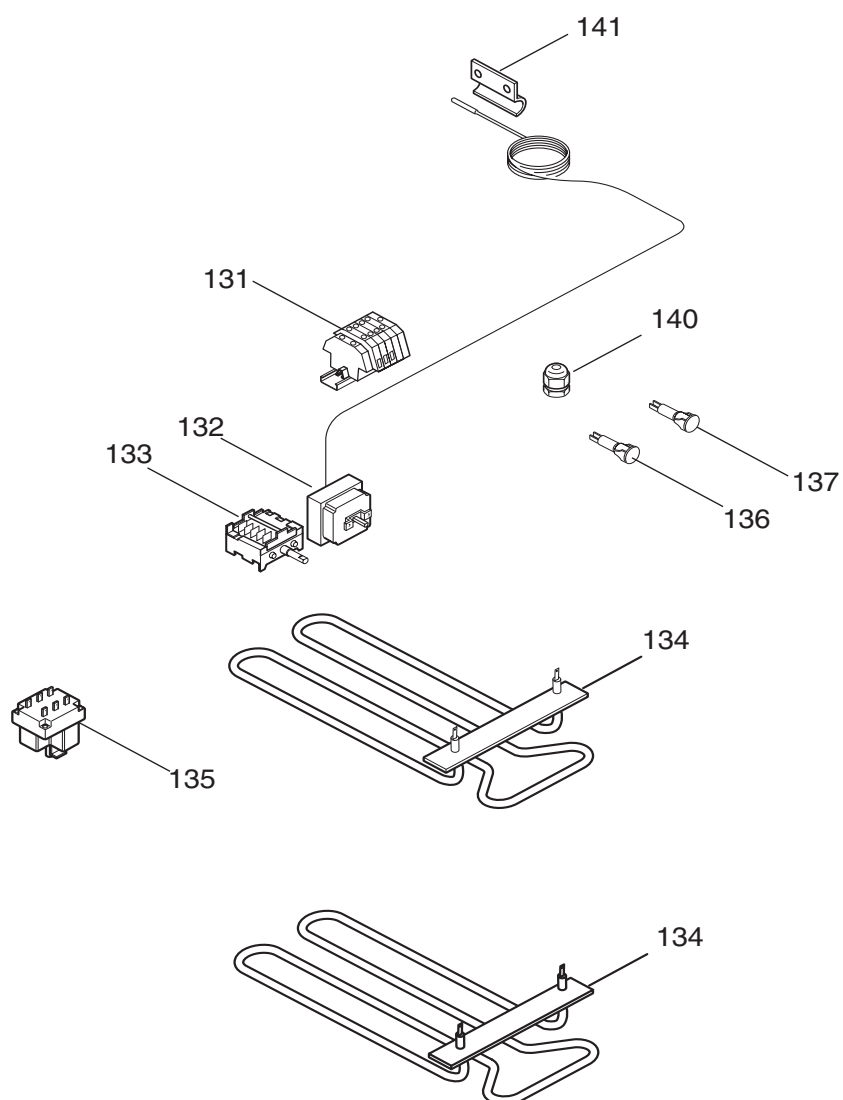


A - Ugello bruciatore / Burner nozzle ø60	
6DGT Code	Ref. / Notes
0C2809	ø1.85 2H/2E+ G20 20mbar
0C2808	ø1.75 2H G20 25mbar
0C2806	ø1.85/2.10 2ELL G25 20mbar
0C2805	ø1.75/2.10 2L G25 25mbar
059314	ø1.15 3+3B/P G30 30mbar
0A2076	ø1.10 3B/P G30 36mbar
0C2807	ø1.10 3B/P G30 50mbar
0C2805	ø1.75/2.10 2S G25.1 25mbar
0A2475	ø2.25 No CE G20 10mbar
0A5170	ø3.50 1a G110
059627	ø3.30 1b G120

B - Ugello pilota / Pilot nozzle	
6DGT Code	Ref. / Notes
053670	n°41 2H/2E+ G20 20mbar
053670	n°41 2H G20 25mbar
053670	n°41 2ELL G25 20mbar
053670	n°41 2L G25 25mbar
054593	n°25 3+3B/P G30 30mbar
054593	n°25 3B/P G30 36mbar
054593	n°25 3B/P G30 50mbar
053670	n°41 2S G25 25mbar
053670	n°41 No CE G20 10mbar
053669	n°75 1a G110
053669	n°75 1b G120

C - Vite di minimo / Min screw ø60	
6DGT Code	Ref. / Notes
002899	n°80 2H/2E+ G20 20mbar
002899	n°80 2H G20 25mbar
002899	n°80 2ELL G25 20mbar
002899	n°80 2L G25 25mbar
002911	n°55 3+3B/P G30 30mbar
002911	n°55 3B/P G30 36mbar
002925	n°50 3B/P G30 50mbar
002899	n°80 2S G25.1 25mbar
002899	n°80 No CE G20 10mbar
-	adj 1a G110
-	adj 1b G120

CUCINE GAS FORNO ELETTRICO-N700
GAS RANGE WITH ELECTRIC OVEN-N700



CUCINE GAS FORNO ELETTRICO-N700
 GAS RANGE WITH ELECTRIC OVEN-N700

**CUCINE GAS CO FORN ELETTRICON700
BURNER GAS RANGE WITH ELECTRIC OVEN N700**

Code	Type	Ref.
178 007	PCF/M2	a
178 008	PCF/M3	b
178 038	PCF/M2E5	c

Pos	Factory Code	6 Dgt Code	Descrizione	Description	Ref. / Notes
			Pagina 1	Page 1	
1	0511821400	0C2526	GRIGLIA FUOCHI GHISA	CAST IRON GRID	
2	0870854800	0C2738	RIPIANO 800mm	TABLE TOP 800mm	a c
	0870854900	0C2739	RIPIANO 1200mm	TABLE TOP 1200mm	b
3	0522882400	*	RIVESTIMENTO LATERALE 800MM	EXTERNAL PANEL 800MM	
	0523812700	*	RIVESTIMENTO LATERALE 1200MM	EXTERNAL PANEL 1200MM	
4	0529850500	0C0182	PIASTRINA FACCIATA-FIANCO	PLATE JOINTING	
5	0560851800	*	ISOLAMENTO CIELO FORNO	INSULATION, OVEN	
6	0507861301	059233	GRIGLIA PROTEZIONE BULBO	PROTECTION PROBE GRID	
7	0533814000	0C2700	GUIDA GRIGLIA	GRATE LEADING	
8	0330260842	025020	GRIGLIA FORNO	GRATE, OVEN	
9	05008500001	054144	SUOLA FORNO	SOLE PLATE	
10	0543821000	053816	GUARNIZIONE MANOPOLA	GASKET KNOB	
11	0853862600	0C0256	CRUSCOTTO 800mm	CONTROL PANEL 800mm	a c
	0853897400	0C2730	CRUSCOTTO 1200mm	CONTROL PANEL 1200mm	b
12	0548857401	0C0192	GHIERA MANOPOLA FUOCHI ANT.	KNOB RING, FRONT BURNER	
13	0214590701	025245	MOLLETTA PER MANOPOLA	KNOB SPRING	
14	0527850500	0C0156	PIASTRA FISSAGGIO FIANCHI	SIDE PANELS JOINTING PLATE	
15	0548858401	0C0193	GHIERA MANOPOLA FUOCHI POS.	KNOB RING, REAR BURNER	
16	0548856902	0C0191	MANOPOLA RUBINETTO	KNOB GAS TAP	
	0548856800	0C0257	MANOPOLA COMMUTATORE E TERM.	KNOB, SWITCH AND THERMOSTAT	
17	0218912211	069567	MOLLETTA	SPRING	
19	0548859201	0C0259	GHIERA COMMUTATORE	KNOB RING FOR SWITCH	
20	0518801801	053342	MOLLA PER MARCHIO	SPRING, LABEL	
21	0806847100	0C0200	MANIGLIA FORNO	HANDLE, OVEN	
22	0529836900	0C0178	PORTA FORNO	OVEN DOOR	
23	0560839601	0C0197	ISOLAMENTO PORTA FORNO	INSULATION OVEN DOOR	
24	0522882800	0C2694	CONTROPORTA FORNO	INNER DOOR	
25	0835848100	0C0203	CERNIERA PORTA	HINGE	
26	0835856900	0C0204	PIEDE	FOOT	
28	0508898900	0C0122	PIASTRA DI RINFORZO PIEDE	STIFFENING PLATE, FOOT	
29	0548859300	0C0258	GHIERA TERMOSTATO	KNOB RING FOR THERMOSTAT	

**CUCINE GAS CO FORN ELETTRICON700
BURNER GAS RANGE WITH ELECTRIC OVEN N700**

Code	Type	Ref.
178 007	PCF/M2	a
178 008	PCF/M3	b
178 038	PCF/M2E5	c

Pos	Factory Code	6 Dgt Code	Descrizione	Description	Ref. / Notes
			Pagina 1	Page 1	
29	0870838204	0C0218	FACCIATA FORNO 800mm	FRONT OVEN 800mm	a c
	0870838304	0C0219	FACCIATA FORNO 1200mm	FRONT OVEN 1200mm	b
31	0560802203	*	ISOLANTE DX E SX FORNO	OVEN INSULATION	
32	0522898300	0C2661	GRIGLIA CAMINO	GRATE, CHIMNEY	
33	0205075423	052725	COPRICERNIERA	HINGE COVER	
34	0529837300	0C0179	PORTA SINISTRA	DOOR LEFT SIDE	
35	0530844300	0C0180	MANIGLIA SINISTRA	HANDLE LEFT SIDE	
36	0529836800	0C0177	CONTROPORTA	INNER DOOR	
37	0516860801	0C0138	CERNIERA	HINGE	
38	0518803803	0C1280	PERNO PORTA	PIVOT	
39	0516860901	0C0139	CERNIERA	HINGE	
40	0522891100	*	FONDO ARMADIETTO	BOTTOM PANEL CUPBOARD	
41	0830898200	0C0201	MAGNETE	MAGNET	
42	0522891200	*	CELLA ARMADIETTO	PANEL FOR CUPBOARD	
44	0530830801	*	FONDO CUCINA GAS 800mm	BOTTOM PANEL 800mm	a c
44	0530843301	*	FONDO CUCINA GAS 1200mm	BOTTOM PANEL 1200mm	b
47	0214584201	066823	MOLLA PER BULBO	SPRING, BULB	
49	0522883601	*	INVOLUCRO FORNO	OVEN SHELL	
50	0522882700	*	SCHIENALE FORNO	REAR SIDE PANEL OVEN	
51	0533825300	*	ANTERIORE CAMINO FORNO	FRONT CHIMNEY OVEN	
52	0533825400	*	POST. CAMINO FORNO	REAR CHIMNEY OVEN	
54	0529835403	0C0165	SUPPORTO CERNIERA	HOLDER FOR HINGE	
55	0516860700	0C0137	PIASTRA GIUNZIONE POST.	JOINTING REAR PLATE	
59	0140088006	0L0113	GUARNIZIONE CRUSCOTTO	GASKET FOR CONTROL PANEL	
60	0543815000	059293	GUARNIZIONE MANOPOLA	GASKET FOR KNOB	
61	0560840300	0C0261	ISOLAMENTO ANTERIORE CELLA	FRONT SIDE INSULATION CELL	

**CUCINE GAS CO FORN ELETTRICON700
BURNER GAS RANGE WITH ELECTRIC OVEN N700**

Code	Type	Ref.
178 007	PCF/M2	a
178 008	PCF/M3	b
178 038	PCF/M2E5	c

Pos	Factory Code	6 Dgt Code	Descrizione	Description	Ref. / Notes
			Pagina 2	Page 2	
101	0517870101	0C0151	CONDUTTURA ANTERIORE PILOTA	FRONTAL PILOT PIPE	till s/n 646
	0516888001	0C4192	CONDUTTURA ANTERIORE PILOTA	FRONT PILOT PIPE	since s/n 646
102	0517870202	0C0152	CONDUTTURA POSTERIORE PILOTA	REAR PILOT PIPE	till s/n 646
	0516888101	0C4193	CONDUTTURA POSTERIORE PILOTA	REAR PILOT PIPE	since s/n 646
					see TB PD2007-03
105	0246519800	0C2356	TAPPO PER RIBALTA	STOPPER, MANIFOLD	
106	0510819501	0C0129	SPARTIFIAMMA DIAM.60	FLAME SPREADER DIA.60	
107	0510819303	0C0127	BRUCIATORE DIAM.60	BURNER DIA.60	
108	0510819103	0C0125	VENTURI BRUCIATORE DIAM.60	VENTURI, BURNER DIA.60	
109	0835868200	0C2800	CONDUTTURA POSTERIORE FUOCHI	REAR BURNER PIPE	
110	0835868100	0C2799	CONDUTTURA ANTERIORE FUOCHI	FRONTAL BURNER PIPE	
111	0510819003	0C0124	SUPPORTO VENTURI	HOLDER FOR VENTURI	
112	0835857201	0C0205	RUBINETTO GAS	GAS TAP	
113	0215199700	052127	BICONO	DOUBLE CONE	
114	0853897300	0C2951	RIBALTA 1200mm	MANIFOLD 1200mm	b
	0853856602	0C0268	RIBALTA 800mm	MANIFOLD 800mm	a c
115	0516863900	0C0140	FILTRO GAS	FILTER	
117	0214162000	0C0121	RACCORDO X TERMOCOPPIA	NUT, THERMOCOUPLE	
118	0214164400	052125	RACCORDO	NUT	
118a	0516887500	0C3646	RACCORDO	CONNECTION	since s/n 646
119	0831800500	0C0202	TERMOCOPPIA	THERMOCOUPLE	
120	0806820902	0C0199	PILOTA	PILOT	till s/n 646
	0806854300	0C3644	PILOTA FUOCHI	PILOT BURNER	since s/n 646
120a	0510823900	0C3643	SUPPORTO CURVO PER UGELLO PILOTA	CURVED JET HOLDER	since s/n 646
121	0515827401	053665	BICONO	DOUBLE CONE	
121a	0516888200	0C3645	BICONO PER PILOTA D.4	DOUBLE CONE D.4 FOR PILOT	since s/n 646
					see TB PD2007-03
			Pagina 3	Page3	
131	0639806002	002691	MORSETTIERA	MAIN TERMINAL BLOCK	
132	0646805302	059235	TERMOSTATO	THERMOSTAT	
133	0641803700	0C0320	COMMUTATORE	SWITCH	
134	0617832400	0C2813	RESISTENZA FORNO 1500W 400V	HEATING ELEMENT 1500W 400V	a b
	0617832500	0C3638	RESISTENZA FORNO 1500W 230V	HEATING ELEMENT 1500W 230V	c
135	0646808600	004600	LIMITATOR DI TEMPERATURA	SAFETY THERMOSTAT	
136	0876800102	005011	LAMPADA GIALLA TONDA	YELLOW LAMP	
137	0876800002	005010	LAMPADA VERDE TONDA	GREEN LAMP	
140	0544802300	0C0068	PASSACAVO	CORE HITCH	
141	0205251401	051939	PROFILO ARRESTO BULBO	PLATE FOR BULB	