

**GAS FRYER 7 L**  
**FRIGGITRICE GAS 7 L**

PNC	Model	Ref.	Page	Notes
168 986	MF/G 1S07	a	1-3	Friggitrice Zanussi 7 L top
168 987	MF/G 2D07	b	1-3	Friggitrice Zanussi 7 + 7 L top
168 988	MFR/G 1S07	c	2-3	Friggitrice Zanussi 7 L freestanding
168 989	MFR/G 2D07	d	2-3	Friggitrice Zanussi 7 + 7 L freestanding
168 186	RF/G 1S07	e	1-3	Friggitrice Electrolux 7 L top
168 187	RF/G 2D07	f	1-3	Friggitrice Electrolux 7 + 7 L top
168 188	RFR/G 1S07	g	2-3	Friggitrice Electrolux 7 L freestanding
168 189	RFR/G 2D07	h	2-3	Friggitrice Electrolux 7 + 7 L freestanding

**Index**

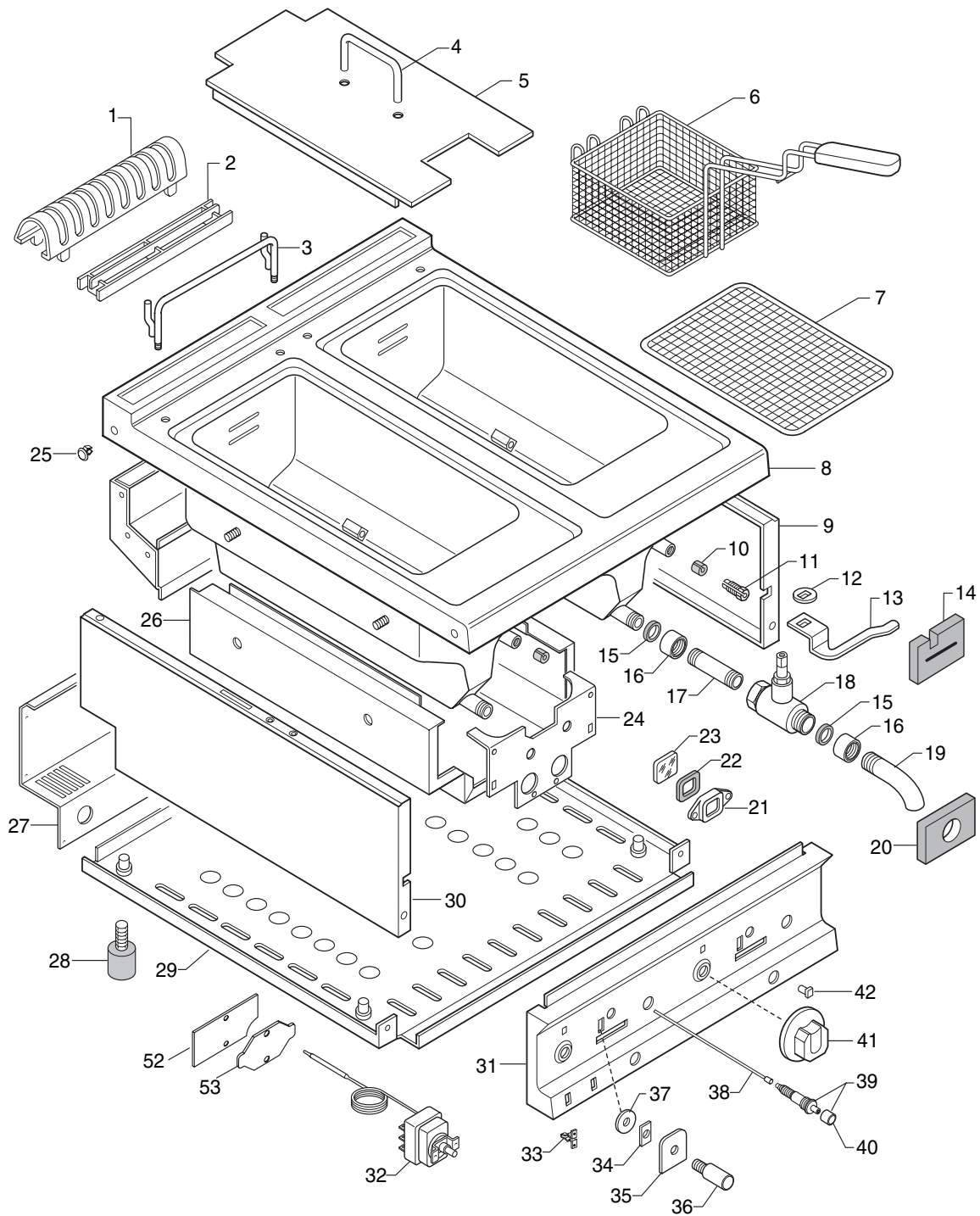
Pag. 1-2 Tank - shelf and components  
3 Gas components  
4-6 Spare parts list

**Indice**

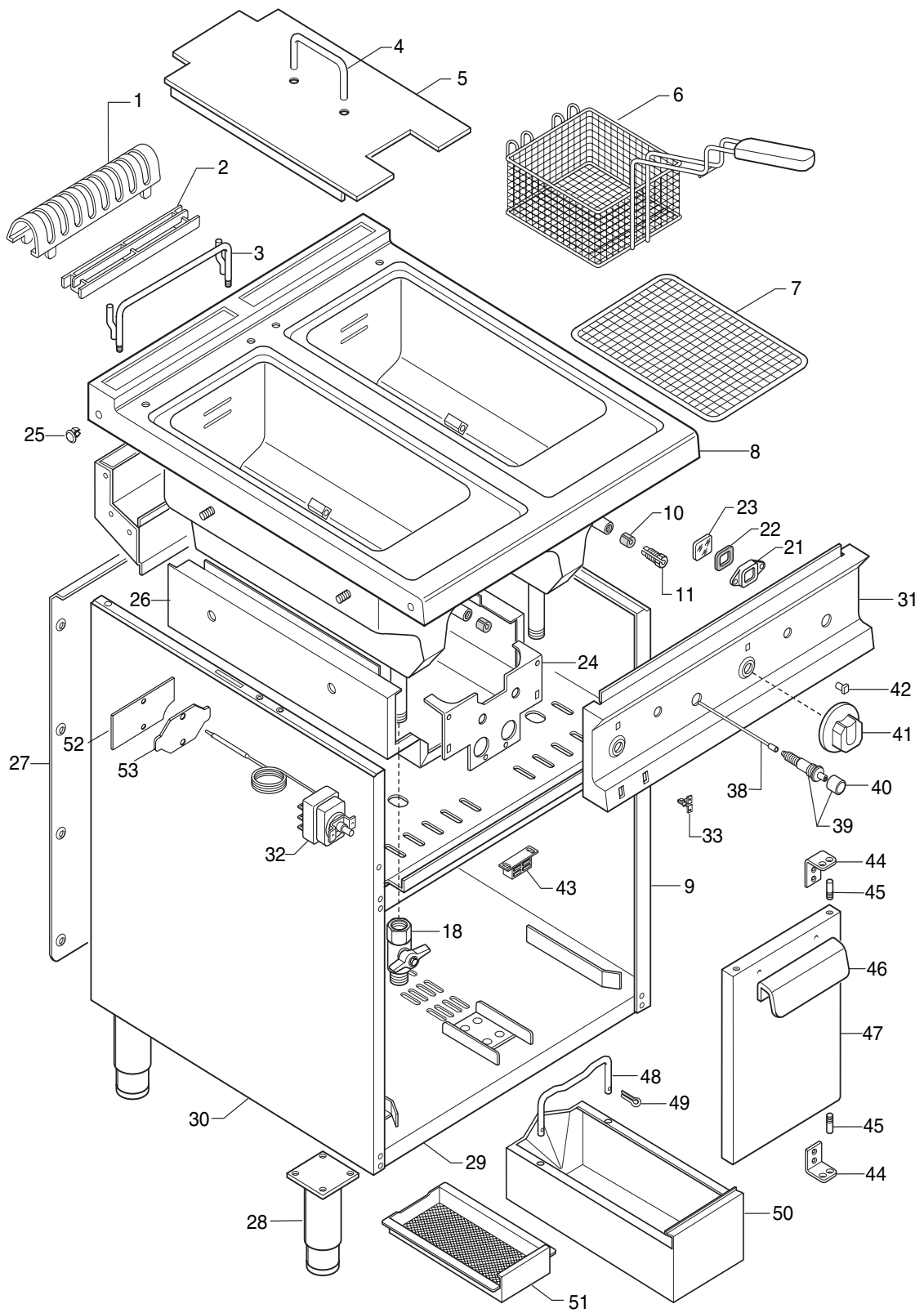
Ripiano - vasca e componenti  
Componenti gas  
Lista ricambi

**Brand / Marchio :** Z - E  
**Factory code:** 9PDX

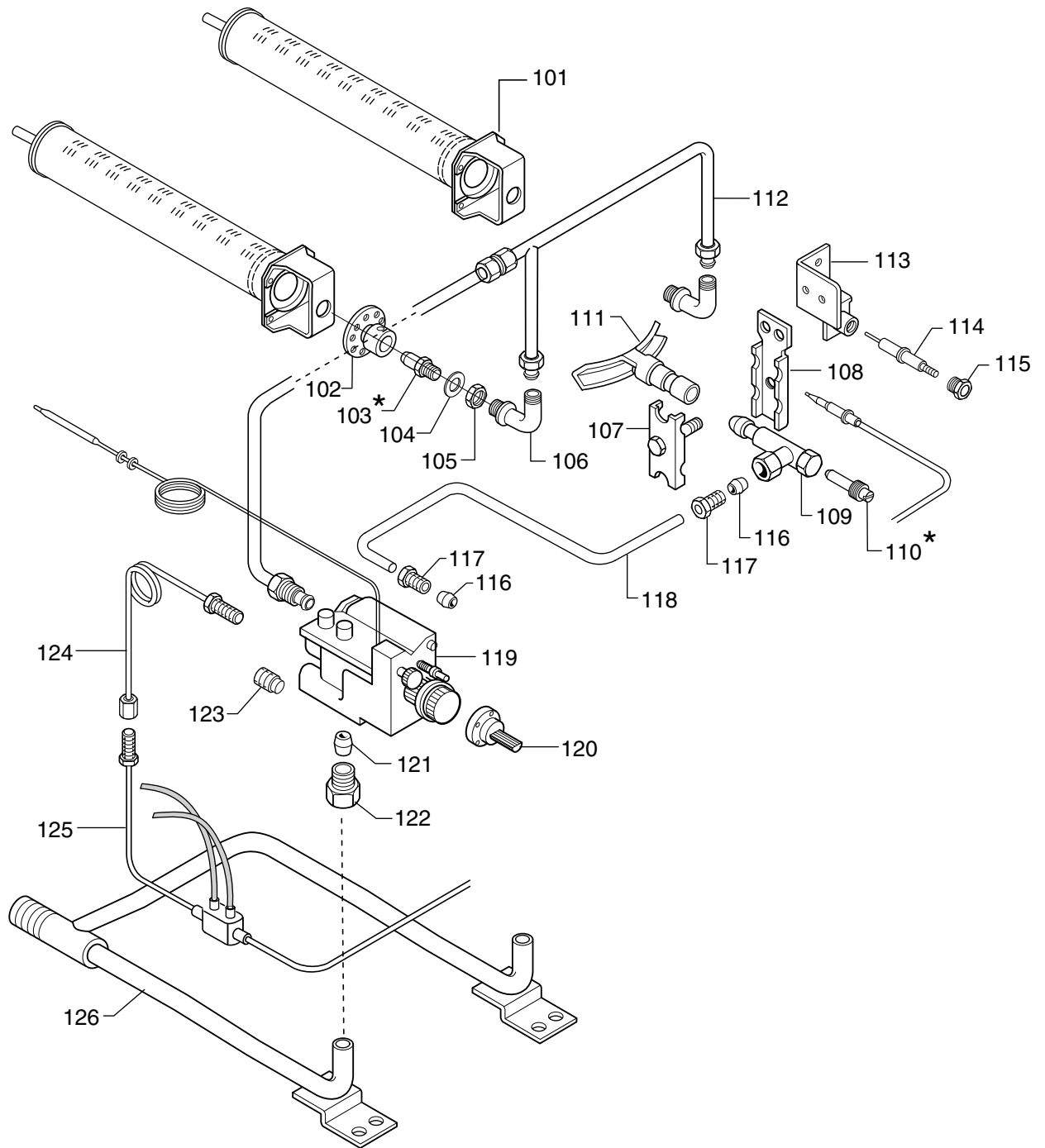
OS/DOC



GAS FRYER 7 L  
FRIGGITRICE GAS 7 L TOP



GAS FRYER 7 L  
FRIGGITRICE GAS 7 L      FREESTANDING



103*	110*
056470 ø 1,45 2H,2E,2E+,2L G20 20mbar	003327 ø 0,40 2H,2E,2E+,2L G20 20mbar
002905 ø 1,60 LL G25 20mbar (Germania)	003327 ø 0,40 LL,2L G25 20-25mbar (Germ.-Olanda)
002862 ø 1,50 2L G25 25mbar (Olanda)	058330 ø 0,25 3+,3B/P G30/G31 28-30/ 37- 50mbar
054630 ø 0,95 3+,3B/P G30/G31 28-30/ 37mbar	
003332 ø 0,80 3B/P G30/G31 50 mbar (Germania)	

GAS FRYER 7 L  
FRIGGITRICE GAS 7 L

**Gas Fryer 7 L**  
**Friggitrice gas 7 L**

PNC	Model	Ref.	Notes	PNC	Model	Ref.	Notes
168 986	MF/G 1S07	a	Zanussi 7 L top	168 186	RF/G 1S07	e	Electrolux 7 L top
168 987	MF/G 2D07	b	Zanussi 7+7 L top	168 187	RF/G 2D07	f	Electrolux 7+7 L top
168 988	MFR/G 1S07	c	Zanussi 7 L freest.	168 188	RFR/G 1S07	g	Electrolux 7 L freest.
168 989	MFR/G 2D07	d	Zanussi 7+7 L freest.	168 189	RFR/G 2D07	h	Electrolux 7+7 L freest.

Pos	Code	Descrizione	Description	Ref. / Notes
		<b>Pagina 1-2</b>	<b>Page 1-2</b>	
1	004244	Griglia camino	Exhaust grid	efgh
2	004320	Griglia camino	Exhaust grid	abcd
3	004494	Supporto cestello	Support, basket	
4	004496	Maniglia coperchio	Handle, lid	
5	004495	Coperchio	Lid	
6	004492	Cestello 1/1	Basket 1/1	
7	005932	Griglia di fondo cestello	Grille, basket	
8	005947	Ripiano-vasca 7 lt. top	Tank-shelf, top 7 lt.	a Zanussi
8	006015	Ripiano-vasca 7+7 lt. top	Tank-shelf, top 7+7 lt.	b Zanussi
8	005950	Ripiano-vasca 7 lt. freestanding	Tank-shelf, freestanding 7 lt.	c Zanussi
8	005953	Ripiano-vasca 7+7 lt. freestanding	Tank-shelf, freestanding 7+7 lt.	d Zanussi
8	006095	Ripiano-vasca 7 lt. top	Tank-shelf, top 7 lt.	e Electrolux
8	005985	Ripiano-vasca 7+7 lt. top	Tank-shelf, top 7+7 lt.	f Electrolux
8	005943	Ripiano-vasca 7 lt. freestanding	Tank-shelf, freestanding 7 lt.	g Electrolux
8	005945	Ripiano-vasca 7+7 lt. freestanding	Tank-shelf, freestanding 7+7 lt.	h Electrolux
9		Fianco dx top	R.H. side panel, top	abef art. 522805301 R.H.
9		Fianco dx freestanding	R.H. side panel, freestanding	cdgh art. 522813301 R.H.
10	006098	Guarnizione per capillare termostato	Gasket, thermostat capillary	
11	006097	Raccordo fiss. capillare termostato	Nipple, fixing thermostat capillary	
12		Rondella per spessoramento	Washer, thickness	abef art. 508890800
13		Leva per rubinetto scarico	Lever, drain tap	abef art. 508808503
14		Guarnizione per leva	Gasket, lever	abef art. 543824600
15		Rondella per tubo scarico	Washer, drain tube	abef art. 544806300
16		Manicotto per tubo scarico	Sleeve, drain tube	abef art. 517862300
17		Tubo prolunga, scarico vasca	Extension tube, drain tank	abef art. 517862400
18	005948	Rubinetto scarico	Drain tap	abef
18	005927	Rubinetto scarico	Drain tap	cdgh
19		Tubo prolunga, rubinetto scarico	Extension tube, drain tap	abef art. 517861100
20		Guarnizione per tubo prolunga	Gasket, extension tube	abef art. 543824500
21	057382	Cornice x vetro spia	Frame, inspection glass	
22	057402	Guarnizione x vetro spia	Gasket, inspection glass	
23	057400	Vetro spia bruciatore	Inspection glass, burner	
24		Parete anter. camera combustione	Front wall, combustion chamber	abef art. 523861800
24		Parete anter. camera combustione	Front wall, combustion chamber	cdgh art. 523884500
25	002449	Tappo	Set of plugs	
26		Camera di combustione	Combustion chamber	art. 523862000
27		Schienale 1/2 modulo top	Back panel, top 1/2 module	ae art. 502892102
27		Schienale 1 modulo top	Back panel, top 1 module	bf art. 502890802
27		Schienale 1/2 modulo freestanding	Back panel, freestanding 1/2 mod.	cg art. 502894800
27		Schienale 1 modulo freestanding	Back panel, freestanding 1 mod.	dh art. 502883203
28	026806	Piedino	Foot	abef
28	004249	Piede 1" 3/4 inox	Foot, 1" 3/4 inox	cdgh
29		Fondo 1/2 modulo top	Sole plate, top 1/2 module	ae art. 523865100
29		Fondo 1 modulo top	Sole plate, top 1 module	bf art. 523863100
29		Fondo 1/2 modulo freestanding	Sole plate, freestanding 1/2 mod.	cg art. 522824000
29		Fondo 1 modulo freestanding	Sole plate, freestanding 1 mod.	dh art. 522824100
30		Fianco sx top	L.H. side panel, top	abef art. 522805401 L.H.

**Gas Fryer 7 L**  
**Friggitrice gas 7 L**

PNC	Model	Ref.	Notes	PNC	Model	Ref.	Notes
168 986	MF/G 1S07	a	Zanussi 7 L top	168 186	RF/G 1S07	e	Electrolux 7 L top
168 987	MF/G 2D07	b	Zanussi 7+7 L top	168 187	RF/G 2D07	f	Electrolux 7+7 L top
168 988	MFR/G 1S07	c	Zanussi 7 L freest.	168 188	RFR/G 1S07	g	Electrolux 7 L freest.
168 989	MFR/G 2D07	d	Zanussi 7+7 L freest.	168 189	RFR/G 2D07	h	Electrolux 7+7 L freest.

Pos	Code	Descrizione	Description	Ref. / Notes
30		Fianco sx freestanding	L.H. side panel, freestanding	cdgh art. 522813401 L.H.
31	005949	Cruscotto 1/2 modulo top	Control panel, top 1/2 module	a Zanussi
31	006096	Cruscotto 1 modulo top	Control panel, top 1 module	b Zanussi
31	005951	Cruscotto 1/2 modulo freestanding	Control panel, freestanding 1/2 mod.	c Zanussi
31	005954	Cruscotto 1 modulo freestanding	Control panel, freestanding 1 mod.	d Zanussi
31	005984	Cruscotto 1/2 modulo top	Control panel, top 1/2 module	e Electrolux
31	005986	Cruscotto 1 modulo top	Control panel, top 1 module	f Electrolux
31	005944	Cruscotto 1/2 modulo freestanding	Control panel, freestanding 1/2 mod.	g Electrolux
31	005946	Cruscotto 1 modulo freestanding	Control panel, freestanding 1 mod.	h Electrolux
32	<b>005931</b> <b>0C4279</b>	<b>Termostato di sicurezza</b> <b>Termostato di sicurezza</b>	<b>Safety thermostat</b> <b>Safety thermostat</b>	<b>till s/n 735</b> <b>from s/n 735</b> <b>see TB_PDX2007-14</b>
33	053342	Molla per marchio	Spring, brand	
34		Piastrina di guida	Guide plate	abef art. 527811200
35		Piastrina di sicurezza	Safety plate	abef art. 527811100
36		Piolino per piastrina	Pin, plate	abef art. 516846300
37		Rondella fissaggio piolino	Washer, pin fixing	abef art. 527811400
38	002544	Cavetto accensione	Cable, spark plug	
39	002605	Accenditore piezoelettrico	Piezoelectric igniter	
40	002816	Copertura accenditore	Covering, igniter	
41	004484	Manopola valvola gas	Knob, gas valve	abcd Zanussi
41	004356	Manopola valvola gas	Knob, gas valve	efgh Electrolux
42	059207	Indice manopola	Pointer, knob	abcd Zanussi
42	059257	Indice manopola	Pointer, knob	efgh Electrolux
43	004266	Magnete porta	Magnet, door	cdgh
44	0A5459	Cerniera porta	Hinge, door	cdgh
45	053339	Perno cerniera	Pin, hinge	cdgh
46	004587	Maniglia porta	Handle, door	cdgh
47	004582	Porta	Door	cdgh
48	005923	Maniglia bacinella olio	Handle, oil bowl	cdgh
49		Copiglia x maniglia ø 3,2 x 20 mm	Cotter pin, handle diam.3,2x 20 m	cdgh art. 219293205
50	005922	Bacinella olio	Bowl, oil	cdgh
51		Filtro olio	Oil filter	art. 853847500
52	0C4748	<b>Isolamento bulbo</b>	<b>Bulb insulation</b>	<b>efgh from s/n 735</b> <b>see TB_PDX2007-14</b>
53	0C4749	<b>Piastrina supporto bulbo</b>	<b>Safety thermostat bulb support</b>	<b>efgh from s/n 735</b> <b>see TB_PDX2007-14</b>
		<b>Pagina 3</b>	<b>Page 3</b>	
101	003326	Brucciatore	Burner	
102	054085	Aeratore	Aerator	
103	056470	Ugello ø 1,45	Nozzle ø 1,45	G 20- 20 mbar
103	002905	Ugello ø 1,60	Nozzle ø 1,60	G 25- 20 mbar
103	002862	Ugello ø 1,50	Nozzle ø 1,50	G 25- 25 mbar
103	054630	Ugello ø 0,95	Nozzle ø 0,95	G 30/G31 28-30/ 37 mbar
103	003332	Ugello ø 0,80	Nozzle ø 0,80	G 30/G31 50 mbar

**Gas Fryer 7 L**  
**Friggitrice gas 7 L**

PNC	Model	Ref.	Notes	PNC	Model	Ref.	Notes
168 986	MF/G 1S07	a	Zanussi 7 L top	168 186	RF/G 1S07	e	Electrolux 7 L top
168 987	MF/G 2D07	b	Zanussi 7+7 L top	168 187	RF/G 2D07	f	Electrolux 7+7 L top
168 988	MFR/G 1S07	c	Zanussi 7 L freest.	168 188	RFR/G 1S07	g	Electrolux 7 L freest.
168 989	MFR/G 2D07	d	Zanussi 7+7 L freest.	168 189	RFR/G 2D07	h	Electrolux 7+7 L freest.

Pos	Code	Descrizione	Description	Ref. / Notes
104	054029	Guarnizione ugello	Gasket, nozzle	
105	020997	Controdado	Lock nut	
106	059250	Portaugello	Nozzle holder	
107	052246	Controstaffa supporto	Counter bracket, support	
108	052256	Staffa supporto pilota	Bracket, pilot burner support	
109	052686	Brucciatore pilota	Pilot burner	
110	003327	Ugello pilota ø 0,40	Nozzle, pilot burner ø 0,40	G 20/G25 - 20/25 mbar
110	058330	Ugello pilota ø 0,25	Nozzle, pilot burner ø 0,25	G 30/G31 - 28/50 mbar
111	003328	Cannello pilota	Blowpipe, pilot burner	
112		Conduttura valvola gas -bruciatori	Pipe, burner - gas valve	art.517841402
113		Supporto bruciatore pilota	Support, pilot burner	art.830823001
114	052610	Elettrodo di accensione	Electrode, ignition	
115	057960	Raccordo per elettrodo	Nipple, electrode	
116	052127	Bicono ø 4 mm	Doble cone, diam. 4 mm	
117	052125	Raccordo ø 4 mm	Nipple, diam. 4 mm	
118		Conduttura pilota	Pipe, pilot burner	art.517853600
119	003334	Valvola gas	Gas valve	
120	004491	Prolunga manopola	Extension, knob	
121	050682	Bicono ø 12 mm	Doble cone, diam. 12 mm	
122	051950	Raccordo per valvola gas	Nipple, gas valve	
123	056009	Tappo filettato 3/8"	Screw plug 3/8"	
124	055032	Prolunga per termocoppia	Extension, thermocouple	
125	056914	Termocoppia	Thermocouple	
126		Conduttura entrata gas	Inlet pipe, gas	aceg art.806810001
126		Conduttura entrata gas	Inlet pipe, gas	bdfh art.806810101
*	005866	Sigillante siliconico	Silicone sealer	raccordo bulbo/nipple bulb