

## LAVASTOVIGLIE SOTTOTAVOLO UNDERCOUNTER DISHWASHER

# LS6

Code	Type	Ref.	Pagina/ Page	Code	Type	Ref.	Pagina/ Page
<b>PRESSIONE</b>				<b>ATMOSFERICA</b>			
502003	LS6EP	a	2 3 6 7	698007	H3300	i	2 3 4 7
502004	LS6EP DD	b	2 3 6 7	698010	ET5EDCW	a3	2 3 4 7
698003	FLEEP 620	c	2 3 6 7	698016	H1310SANA	a1	2 3 4 7
698006	LV6EP	u	2 3 6 7	698070	FLEA 620	n	2 3 4 7
698078	FLEEP 620 DD	d	2 3 6 7	698071	FLEA 630 DP	o	2 3 4 7
				698076	ET5E	p	2 3 4 7
				698077	ET5ED	t	2 3 4 7
<b>ATMOSFERICA</b>							
502005	LS6EA DD	e	2 3 4 7	698079	FLEA 620 DD	q	2 3 4 7
502006	LS6EA DP DD	f	2 3 4 7	698080	FLEA 630 DP DD	r	2 3 4 7
502009	LS6EA DP3	v	2 3 4 7	698081	LV6EA	y	2 3 4 7
502024	LS6SANA	j	2 3 4 7	698082	LV6EADP	z	2 3 4 7
502520	LS6EA	l	2 3 4 7	698090	ET5EDF	a4	2 3 5 7
502521	LS6EA DP	m	2 3 4 7				
502523	LS6EAH	x	2 3 4 7				
502524	LS6MCD	a2	2 3 4 7				
502030	LS6EA G	g	2 3 4 7				
502031	LS6EA DP G	h	2 3 4 7				
502041	LS6EA 60	k	2 3 4 7				
698004	ET5EDG	s	2 3 4 7				

**Pagina/ Page**
**Indice/ index**

2	Vista generale / Main view
3	Componenti idraulici / Hydraulic components
4	Circuito idraulico atmosferico / Atmospheric plumbing circuit.
5	Circuito idraulico atmosferico (x Ecolab Francia) / Atmospheric plumbing circuit (for Ecolab France)
6	Circuito idraulico a pressione / Pressurized plumbing circuit
7	Componenti elettrici / Electrical components
8 - 18	Lista ricambi / Spare parts list

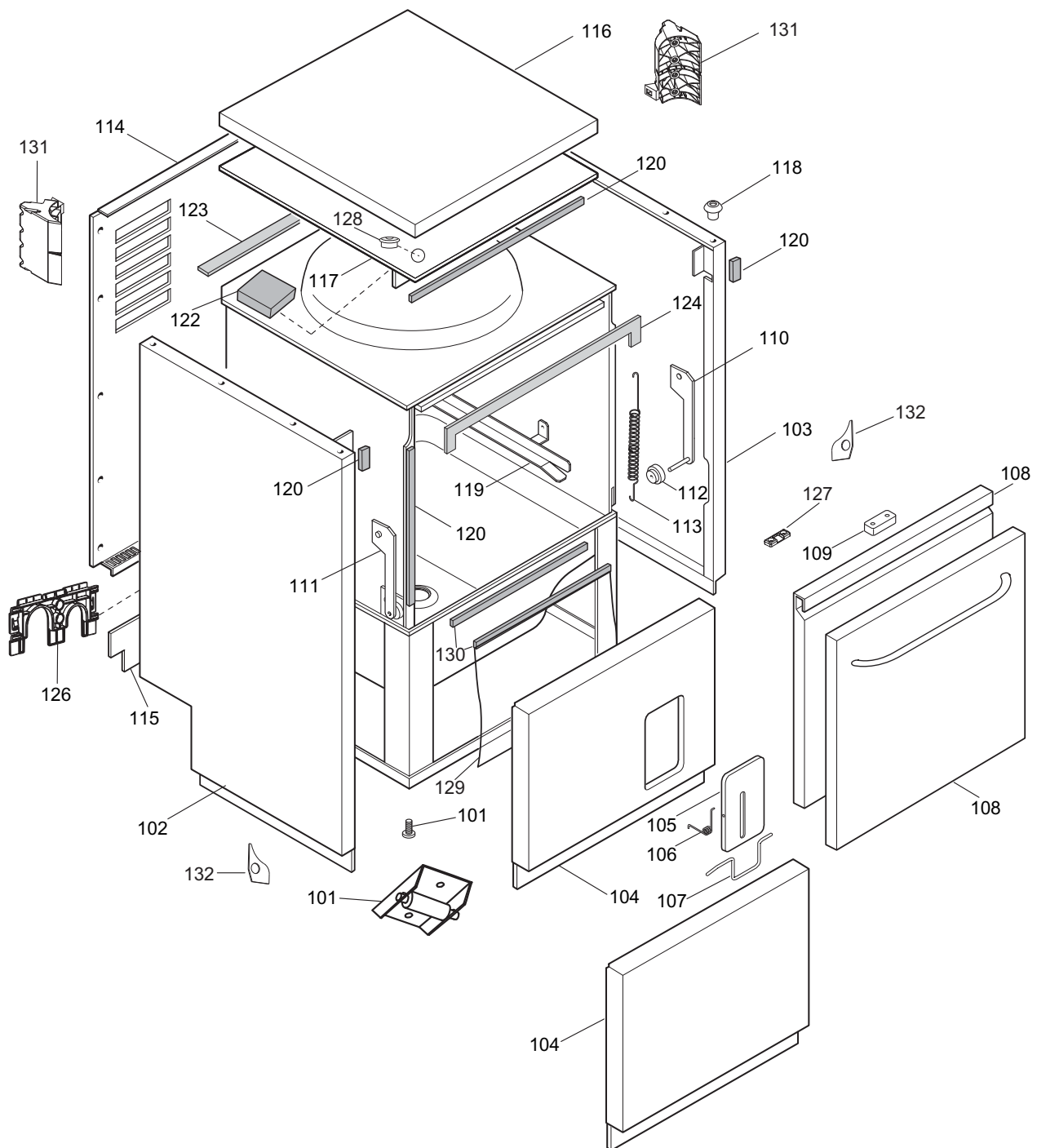
**Marchio/ Brand:** Z - A  
**Paese/ Country:** Tutti/ All

Da Ser.Nr./From Ser.nr.: /201....

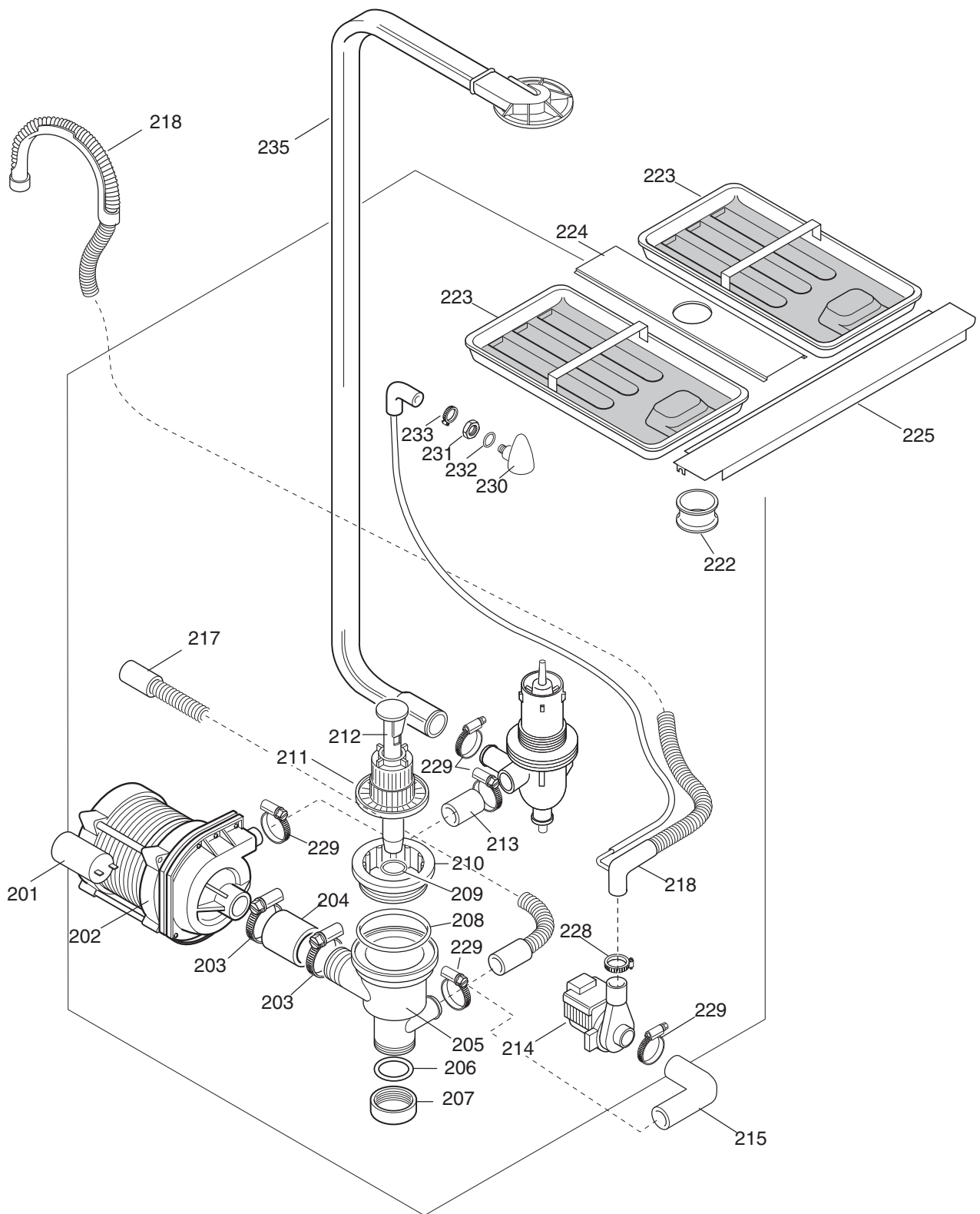
Page: 1

Ed. 2009-12

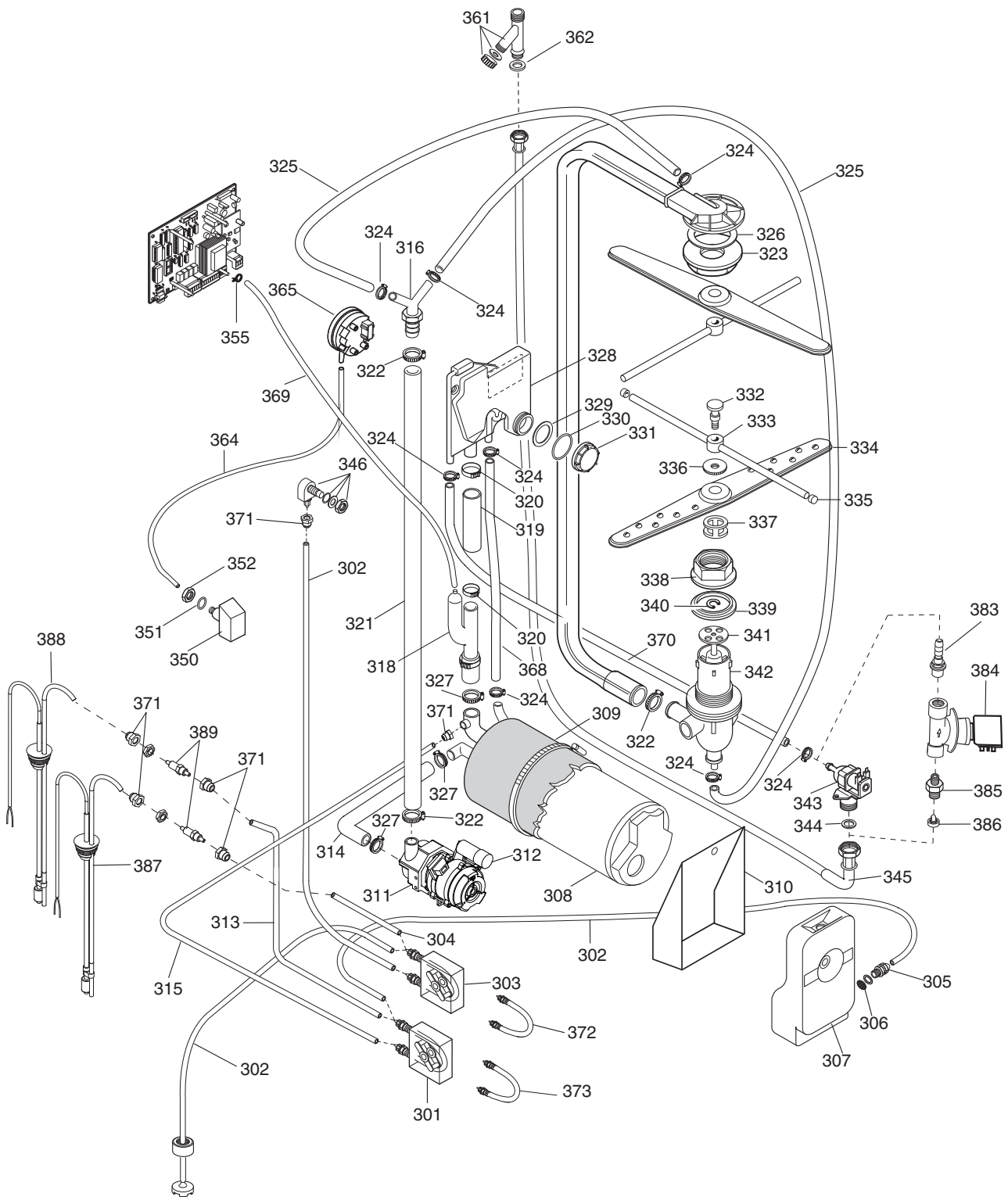
**Doc. Nr.: 6-11 003**



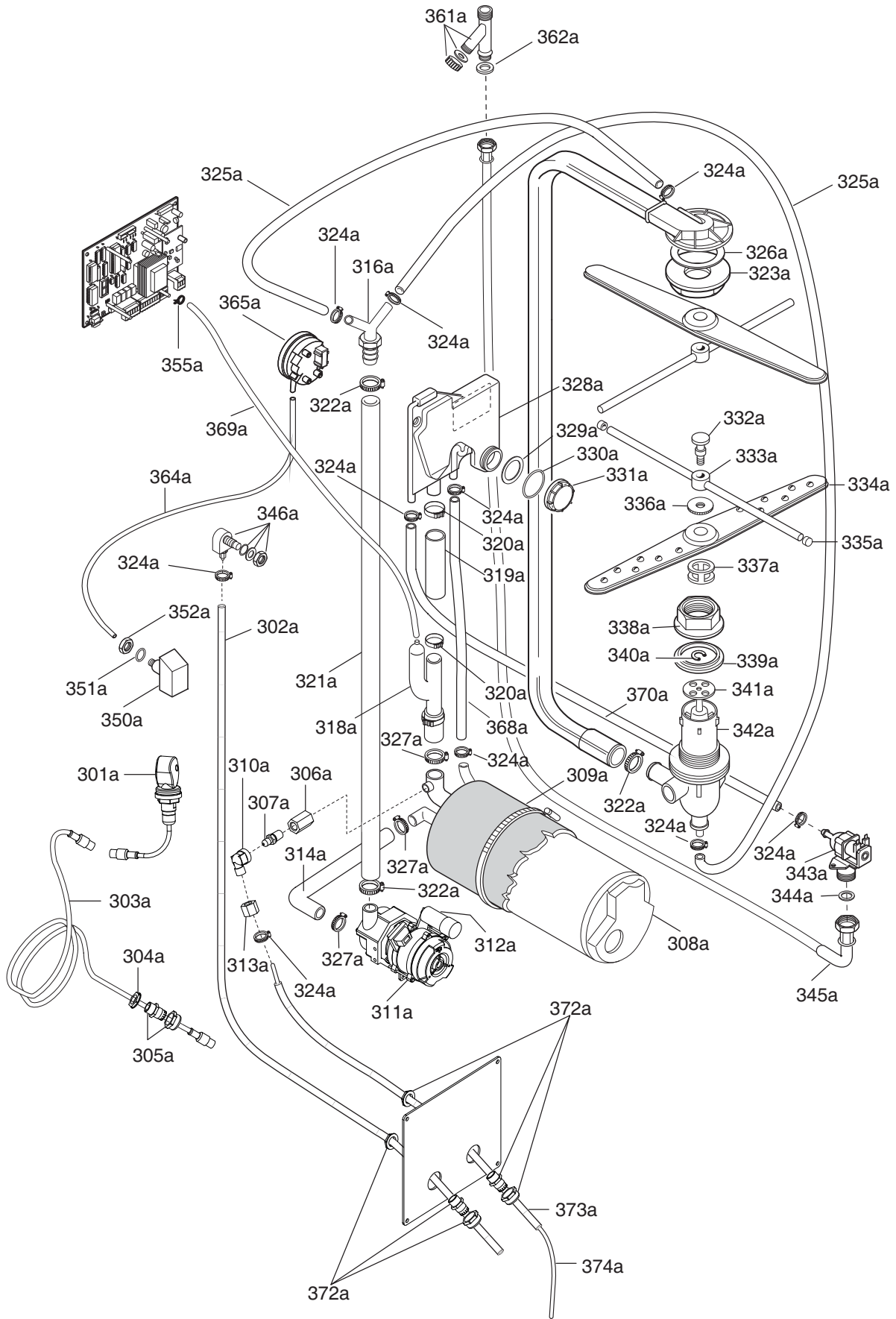
**ill. 611003p2A**  
**Vista generale / Main view**



**ill. 611003p3**  
**Componenti idraulici / Hydraulic components**

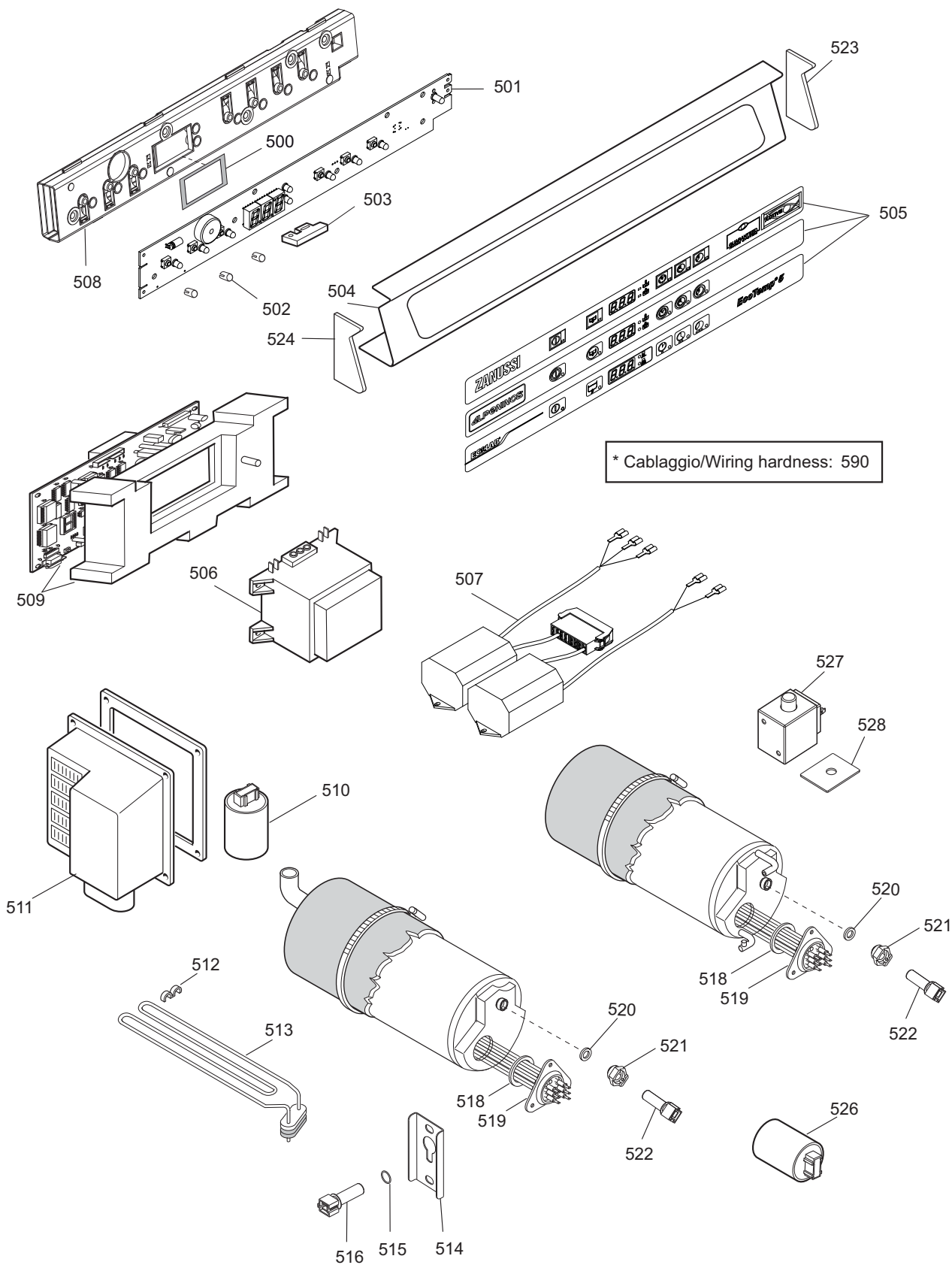


**ill. 611003p4**  
**Circuito idraulico atmosferico / Atmospheric plumbing circuit**



ill. 611003p4\_ecolab  
 Circuito idraulico atmosferico (x Ecolab Francia) / Atmospheric plumbing circuit (for Ecolab France)





**ill. 611003p6**  
**Componenti elettrici / Electrical components**

Da Ser.Nr./From Ser.nr.: /201....

Page: 7 Ed.2003-04

Doc. Nr.: **6-11 003**

LAVASTOVIGLIE SOTTOTAVOLO LS6 UNDERCOUNTER DISHWASHER LS6			Grassetto = variazioni Bold Print = changes	
Pos.	Cod.ric. Part No.	Descrizione	Description	Note / Notes
		<b>Pagina 2: Vista generale</b>	<b>Page 2: Main view</b>	<b>ill. 611003p2A</b>
101	046407	Piedino regolabile	Adjustable foot	not for a2 - Up to ser.: 244
101	049393	Piedino regolabile	Adjustable foot	not for a2 - From ser.: 245
101	0L0118	Piede a rullo	Roller	a2
102	049906	Pannello laterale; sx	Side panel; left	Up to ser. nr.: 244
102	0L0105	Pannello laterale; sx	Side panel; left	From Ser.Nr. 245 Up to Ser.Nr.710
102	0L1385	Pannello laterale; sx	Side panel; left	From Ser.Nr.711
103	049907	Pannello laterale; dx	Side panel; right	Up to ser. nr.: 244
103	0L0106	Pannello laterale; dx	Side panel; right	From ser. nr.: 245 Up to Ser.Nr.710
103	0L1386	Pannello laterale; dx	Side panel; right	From Ser.Nr.711
104	049911	Pannello frontale	Front panel	g,h,x,a2,j Up to Ser. Nr. 642
104	0L1312	Pannello frontale	Front panel	g,h,x,a2,j From Ser. Nr. 643
104	049912	Pannello frontale	Front panel	a,b,c,d,e,f,k,l,m,n,o,q,r,v,u,y,z Up to ser. nr.: 237
104	0L0120	Pannello frontale	Front panel	a,b,c,d,e,f,k,l,m,n,o,q,r,v,u,y,z From ser. nr.: 238 Up to Ser. Nr. 642
104	0L1311	Pannello frontale	Front panel	a,b,c,u,e,f,l,m,k,n,o,y,z From Ser. Nr. 643 Up to Ser. Nr. 649
104	0L1312	Pannello frontale	Front panel	a,b,c,u,e,f,l,m,k,n,o,y,z From Ser. Nr. 650
104	0L0408	Pannello frontale	Front panel	i,p,s,t,a1,a3,a4 Up to Ser. Nr. 642
104	0L1313	Pannello frontale	Front panel	i,p,s,t,a1,a3,a4 From Ser. Nr. 643
105	048363	Sportellino	Door	a,b,c,u,e,f,l,m,k,n,o,y,z d,v,q,r - Up to Ser. Nr. 649
106	048279	Molla; per sportellino	Spring; for door	a,b,c,u,e,f,l,m,k,n,o,y,z d,v,q,r - Up to Ser. Nr. 649
107	049023	Molla sportello	Door spring	a,b,c,u,e,f,l,m,k,n,o,y,z d,v,q,r - Up to Ser. Nr. 649
108	0L0783	Porta	Door	a,b,e,f,g,h,k,l,m,v,a2,x
108	0L1252	Porta	Door	j
108	0L0439	Porta	Door	i
108	0L0462	Porta	Door	a1
108	0L0784	Porta	Door	c,d,n,o,p,q,r,u,y,z,s,a3,t,a4 Up to Ser. Nr.: 723
108	0L0783	Porta	Door	c,d,n,o,p,q,r,u,y,z,s,a3,t,a4 From Ser. Nr.: 724
109	049627	Magnete grigio	Magnet	
110	048813	Ass. Leva DX	Assembly Lever right	Up to ser. nr.: 526
110	0L0717	Ass. Leva DX	Assembly Lever right	From ser. nr.: 527
111	048814	Ass. Leva SX	Assembly Lever left	Up to ser. nr.: 526
111	0L0718	Ass. Leva SX	Assembly Lever left	From ser. nr.: 527
112	048812	Bronzina	Bushing	



<b>LAVASTOVIGLIE SOTTOTAVOLO LS6 UNDERCOUNTER DISHWASHER LS6</b>				<b>Grassetto = variazioni Bold Print = changes</b>
<b>Pos.</b>	<b>Cod.ric. Part No.</b>	<b>Descrizione</b>	<b>Description</b>	<b>Note / Notes</b>
113	048815	Molla porta	Door spring	
114	049871	Schienale	Rear panel	e,f,g,h,i,k,l,m,n,o,q,r,v,y,z,a1 Up to ser. nr.: 244
114	0L0115	Schienale	Rear panel	e,f,g,h,i,k,l,m,n,o,q,r,v,y,z,a1,j From S.N. 245 - Up to S.N.710
114	049914	Schienale	Rear panel	a,b,c,d,u PRES. Up to ser. nr.: 244
114	0L0109	Schienale	Rear panel	a,b,c,d,u PRES From S.N. 245 - Up to S.N.710
114	0L1416	Schienale	Rear panel	a,b,c,d,u,e,f,i,k,l,m,n,o,y, z,a1,j,a2 - From S.N. 711
114	0L1417	Schienale	Rear panel	h - From Ser. Nr. 711
114	049915	Schienale	Rear panel	p,s,t,a3,a4 ECOTEMP Up to ser. nr.: 244
114	0L0116	Schienale	Rear panel	p,s,t,a3 ECOTEMP - Up to S.N 710 - "a4" Up to Ser. nr.: 617
114	0L1418	Schienale	Rear panel	s - From Ser. Nr. 711
114	0L1419	Schienale	Rear panel	a3,p,t - From Ser. Nr. 711
114	0L1142	Schienale	Rear panel	"a4" From Ser. nr.: 618 From S.N.245-Up to S.N.710
114	0L1421	Schienale	Rear panel	a4 - From Ser. Nr. 711
114	0L0476	Schienale	Rear panel	a2 - Up to Ser. Nr. 710
115	049872	Traversino	Lower rear cover	Up to ser. nr.: 244
116	049873	Coperchio	Top panel	Up to ser. nr.: 244
116	0L0107	Coperchio	Top panel	From S.N.245 -Up to S.N.710 Not for "u,y,z"
116	0L0745	Coperchio	Top panel	For All - From Ser. Nr. 711
116	0L0108	Coperchio	Top panel	u,y,z - Franstal -Up to S.N.710
117	049875	Protezione superiore	Upper protection	Up to ser. nr.: 244
117	0L0104	Protezione superiore	Upper protection	From ser. nr.: 245(Not for j) Up to Ser. Nr. 710
117	0L1422	Protezione superiore	Upper protection	From Ser. Nr. 711(Not for j)
117	0L0535	Protezione superiore	Upper protection	j - Up to Ser. Nr. 710
117	0L1423	Protezione superiore	Upper protection	j - From Ser. Nr. 711
118	047511	Piolino	Pin	
119	0L0516	Ass. supporto Cesto	Support; for basket	From ser. nr.: 414
119	049493	Ass. supporto Cesto sx	Support; for basket	Up to ser. nr.: 413
119	048466	Ass. supporto Cesto dx	Support; for basket	Up to ser. nr.: 413
119	0L0516	Ass. supporto Cesto	Support; for basket	From ser. nr.: 414
120	049930	Profilo adesivo 15x3	Gasket	Up to ser. nr.: 244
120	0L0113	Profilo adesivo	Gasket	From ser. nr.: 245
122	0L0114	Pannello di rinforzo	Insulation	From ser. nr.: 245
123	0E5559	Guarnizione	Gasket	
124	049932	Guarnizione; cornice vasca	Gasket door	
126	0L0112	Copertura passatubi	Hoses protection	From ser. nr.: 245
127	0L0532	Fermo porta	Door catch	j
128	0L0533	Tappo	Plug	j

LAVASTOVIGLIE SOTTOTAVOLO LS6 UNDERCOUNTER DISHWASHER LS6			Grassetto = variazioni Bold Print = changes	
Pos.	Cod.ric. Part No.	Descrizione	Description	Note / Notes
129	0L0531	Protezione PVC trasp.	Gasket	j
130	049931	Velcro autoadesivo	Stik	j
131	0L0762	Supporto angolare	Angular support	From Ser. Nr. 711
132	049362	Raccogliocce		Up to Ser. Nr. 710
		<b>Pagina 3: Componenti idraulici</b>	<b>Page 3: Hydraulic components</b>	<b>ill. 611003p3</b>
201	0A2914	Condensatore per pompa lavaggio	Capacitor; 16µF	
202	049885	Pompa Lavaggio	Wash pump 60Hz	k
202	049876	Pompa Lavaggio	Wash pump 50Hz	a,b,c,d,e,f,g,h,i,l,m, n,o,p,q,r,s,t,v,a1,a2,a3,a4,j
203	046878	Fascetta 38-50	Hose clamp 38-50	
204	045768	Tubo Gomma 45x55	Hose	
205	048325	Coll. Asp. Scarico	Drain manifold	
206	049828	Guarniz. Tappo Ter. Sc.	Gasket	
207	046596	Tappo Terminale Sc.	Plug; for manifold	
208	049894	OR 4*110 Asp Sc.	O Ring	
209	046799	OR Troppo Pieno	O Ring	
210	048326	Ghiera collettore Asp. Sc.	Ring nut; for manifold	
211	048324	Filtro Asp. Pompa	Filter; for pump	
212	048323	Troppo pieno	Overflow pipe	a,b,c,d,e,g,k,l,n,p,q,u,y
212	048842	Troppo pieno	Overflow pipe	f,h,i,m,o,r,s,t,v,z,a1,a2,a3,a4,j
213	046257	Tubo 42x52	Hose	
214	048844	Pompa scarico	Drain pump 50hz	f,h,i,m,o,r,s,t,v,z,a1,a2,a3,a4 Up to ser. nr.: 518
214	0L0690	Pompa scarico	Drain pump 50hz	f,h,i,m,o,r,s,t,v,z,a1,a2,a3,a4,j From ser. nr.: 519
215	049877	Manicotto asp scarico	Coupling; drain	f,h,i,m,o,r,v,z,a1,a2,j
217	049856	Tubo Scarico	Drain pipe	a,b,c,d,e,g,k,l,n,p,q,u,y
218	049878	Tubo Scarico	Drain pipe	f,h,i,m,o,r,s,t,v,z,a1,a2,a3,a4,j
222	0L0078	Supporto Filtro	Filter support	
223	049908	Ass.Filtro Vasca	Tank filter	
224	049935	Supporto Centr. Filtri	Support; filters	
225	049936	Supp. Ant. Filtri	Support; filters	
228	047578	Fascetta 26-38 9MM	Hose clamp 26-38	
229	046878	Fascetta 28-50	Hose clamp 38-50	f,h,i,m,o,r,v,z,a1,a2,j
230	048853	Nasello per vasca	Spigot; air relief	f,h,i,m,o,r,v,z,a1,a2,j
231	049268	Dado ES.M14X1,5	Nut; M14x1,5	f,h,i,m,o,r,v,z,a1,a2,j
232	068642	OR 3062; 2,62X15,54	O Ring	f,h,i,m,o,r,v,z,a1,a2,j
233	046946	Fasc. Torro. W2 8-12/7,5 IVP	Hose clamp 8-12	f,h,i,m,o,r,v,z,a1,a2,j
235	048822	Ass tubo Lavaggio	Hose	Up to ser. nr.: 244
235	0L0095	Ass tubo Lavaggio	Hose	From ser. nr.: 245

LAVASTOVIGLIE SOTTOTAVOLO LS6 UNDERCOUNTER DISHWASHER LS6			Grassetto = variazioni Bold Print = changes	
Pos.	Cod.ric. Part No.	Descrizione	Description	Note / Notes
		<b>Pagina 4: Circuito idraulico / Atm.</b>	<b>Page 4: Hydraulic circuit / Atm.</b>	<b>ill. 611003p4 not for "a,b,c,d,u,a4"</b>
301	049625	Pompa perist. Brillantante	Pump; rinse aid	Up to ser. nr.: 521
301	0L0697	Pompa perist. Brillantante	Pump; rinse aid	From ser. nr.: 522
302	049905	Tubo detergente (bianco)	Detergent pipe (white)	
303	049624	Pompa perist. Detergente	Pump; detergent	Up to ser. nr.: 521
303	0L0696	Pompa perist. Detergente	Pump; detergent	From ser. nr.: 522
304	049905	Tubo detergente (bianco)	Detergent pipe (white)	a2
305	049941	Attacco dosatore brillant.	Connection; rins aid	a,b,c,u,e,f,l,m,k,n,o,y,z d,v,q,r - Up to Ser. Nr. 649
306	049022	Filtro brillantante	Filter	a,b,c,u,e,f,l,m,k,n,o,y,z, d,v,q,r - Up to Ser. Nr. 649
307	049024	Tanica brillantante	Wetting agent container	a,b,c,u,e,f,l,m,k,n,o,y,z d,v,q,r - Up to Ser. Nr. 649
308	049902	Boiler atmosferico	Boiler	Up to ser. 317
308	0L0283	Boiler atmosferico	Boiler	From ser. 318
308	0L0283	Boiler atmosferico	Boiler	p,t,a3 - Up to Ser. Nr.: 839
308	0L1906	Boiler atmosferico	Boiler	p,t,a3 - From Ser. Nr.: 840
309	048447	Isolante per boiler	Insulation; for boiler	
310	049942	Protezione ant sport. Brill	Protection	a,b,c,u,e,f,l,m,k,n,o,y,z d,v,q,r - Up to Ser. Nr. 649
311	049310	Pompa risc.	Rinse pump 50Hz	e,f,g,h,i,l,m,n,o,p,q,r,s,t,v,y,z,a1,a2,a 3 - Up to ser. nr.: 607
311	0L1079	Pompa risc.	Rinse pump 50Hz	e,f,g,h,i,l,m,n,o,p,q,r,s,t,v,y,z,a1,a2,a 3,j - From ser. nr.: 608
311	049612	Pompa risc.	Rinse pump 60Hz	k - Up to ser. nr.: 607
311	0L1100	Pompa risc.	Rinse pump 60Hz	k - From ser. nr.: 608
312	049260	Condensatore per pompa risc.	Rinse pump capacitor	6,3µF - Up to ser. nr.: 607
312	083406	Condensatore per pompa risc.	Rinse pump capacitor	5,0µF - From ser. nr.: 608
313	0L0481	Tubo brillantante (blu)	Rinse aid pipe (blue)	a2
314	049880	Manicotto asp. Risciacquo	Coupling; rins	Up to ser. nr.: 607
314	0L1108	Manicotto asp. Risciacquo	Coupling; rins	From ser. nr.: 608
315	0L0481	Tubo brillantante (blu)	Rinse aid pipe (blue)	a2
315	049905	Tubo detergente (bianco)	Detergent pipe (white)	not for "a2"
316	049289	Raccordo 3 vie d.27	Connection 3 way; diam 27-12	Up to ser. nr.: 329
316	0L0365	Raccordo 3 vie d.27	Connection 3 way; diam 27-12	From ser. nr.: 330
318	049628	Trappola D'aria; boiler	Air trap; boyler	Up to ser. nr.: 244
318	0L0098	Trappola D'aria; boiler	Air trap; boyler	From ser. nr.: 245
319	049287	Tubo EPDM 25.5x32	Hose; diam 25	
320	049772	Fascetta Elastica	Hose clamp	Up to ser. nr.: 329
320	0L0367	Fascetta Cobra	Hose clamp	From ser. nr.: 330
321	049773	Tubo 26x37	Hose	Up to ser. nr.: 244
321	0L0117	Tubo 26x37	Hose	From ser. nr.: 245
322	046878	Fascetta a vite 35 -50	Hose clamp 35-50	
323	048824	Ghiera Supp. Getti Sup.	Ring nut	

LAVASTOVIGLIE SOTTOTAVOLO LS6 UNDERCOUNTER DISHWASHER LS6			Grassetto = variazioni Bold Print = changes	
Pos.	Cod.ric. Part No.	Descrizione	Description	Note / Notes
324	048126	Fascetta a vite 13 -20	Hose clamp 13-20	
325	048531	Tubo EPDM 12x19.5	Hose	
326	048823	Guarnizione Supp. Getti Sup.	Gasket	Up to ser. nr.: 244
326	0L0110	Guarnizione Supp. Getti Sup.	Gasket	From ser. nr.: 245
327	047578	Fascetta 26-38	Hose clamp 26-38	
328	049459	Air Gap std	AIR GAP	e,f,k,i,l,m,n,o,p,q,r,t,v,y,z,a1,a2,a3,j
328	049481	Air Gap UK	Air gap; WRC	g,h,s
329	049828	Guarnizione per AG	Gasket	
330	049460	OR per Ghiera AG	O Ring	
331	049480	Ghiera per A.G.	Ring nut	
332	048290	Perno risciaquo	Pin; for rinse jets	
333	048716	Ass. Portagetti Risc.	Rinse jet	Up to Ser. Nr.: 937
333	0L2095	Ass. Portagetti Risc.	Rinse jet	From Ser. Nr.: 938
334	0L0598	Ass. Getti Lavaggio	Washing arms assembly	
335	048714	Tappo Getti risc.	Plug	Up to Ser. Nr.: 937
336	048632	Rondella di Fermo Lavaggio	Lock washer	
337	048401	Mozzo per Getti Lav.	Hub	
338	048330	Ghiera Fiss. Supp. Getti	Ring nut	
339	048236	Guarnizione LS7 e 8	Gasket	
340	048979	Sege	C-Clamp	
341	048820	Parzializzatore	Flow reducer	
342	048819	Supp. Getti Inf.	Jets support; lower	
343	049452	Elettrovalvola; 5,5 l/m	El.valve; 5,5 l/m	g,h,s - Up to ser. nr.: 237
343	0L0121	Elettrovalvola; 5,5 l/m	El.valve; 5,5 l/m	g,h,s - From ser. nr.: 238 Up to ser. nr.: 427
343	0L0567	Elettrovalvola; 5,5 l/m	El.valve; 5,5 l/m	g,h,s - From ser. nr.: 428
343	049626	Elettrovalvola; 10 l/m	Electric valve; 10 l/m	e,f,k,i,l,m,n,o,p,q,r,t,v,y,z, a1,a2,a3 - Up to ser.: 427
343	0L0568	Elettrovalvola; 10 l/m	Electric valve; 10 l/m	e,f,k,i,l,m,n,o,p,q,r,t,v,y,z, a1,a2,a3,j - From ser.: 428
<b>343</b>	<b>0L0568</b>	<b>Elettrovalvola; 10 l/min</b>	<b>Electric valve; 10 l/min</b>	<b>p - From Ser. Nr.: 428</b> <b>Up to Ser. Nr.: 001</b>
<b>343</b>	<b>0L0776</b>	<b>Elettrovalvola; 5,0 l/min</b>	<b>Electric valve; 5,0 l/min</b>	<b>p - From Ser. Nr.: 002</b>
344	049201	Guarnizione	Gasket; diam 3/4	
345	048816	Ass. Tubo alimentazione	Pipe; straight + 90 degr, 2100mm	e,f,k,i,l,m,n,o,p,q,r, t,v,y,z,a1,a2,a3,j
345	049378	Ass. Tubo alim. UK	Pipe; WRC, straight + 90 degr, 2100mm	g,h,s
345	049540	Ass. Tubo alimentazione	Pipe; straight + 90 degr, 2100mm	a1
346	049801	Iniettore Det. AISI304	Iniection spigot	
350	048308	Trappola d'aria per pressost.	Air trap	
351	068642	OR 2062x15.54	O Ring	
352	049268	Dado M14x1.5	Nut; M14x1,5	
355	0E5993	Fascetta Elastica	Hose clamp	
361	048834	Ass.filtro 3/4 G	Filter	

LAVASTOVIGLIE SOTTOTAVOLO LS6 UNDERCOUNTER DISHWASHER LS6			Grassetto = variazioni Bold Print = changes	
Pos.	Cod.ric. Part No.	Descrizione	Description	Note / Notes
362	049201	Guarnizione; diam 3/4	Gasket; diam 3/4	
364	048883	Tubo 5x12 gomma	Hose; 5x12	
365	049881	Pressostato	Pressure switch	
367	049332	Valvola DVGW	Solenoid valve	
368	048531	Tubo EPDM 12x19.5	Hose	
369	072393	Tubo EPDM 4x7.4	Hose	
370	048531	Tubo EPDM 12x19.5	Hose	e,f,k,i,l,m,n,o,p,q,r,t,r,v,y,z,a1,a2,a3,j
370	049379	Tubo gom. 11.5X19.5 WRC	Hose; WRC	g,h,s
371	0L0349	Assieme tappo	Plug assembly	
372	049419	Tubo; pompa detergente	Hose; detergent pump	
373	049418	Tubo; interno, pompa brillantante	Hose;internal, rinse aid pump	
383	0L0477	Portagomma	Fitting	a2
384	049509	Elettrovalvola	Electric valve	a2 - Up to ser. nr.: 427
384	0L0569	Elettrovalvola	Electric valve	a2 - From ser. nr.: 428
385	0L0479	Nipplo ottone 3/4"- 3/8"	Brass nipple 3/4"- 3/8"	a2
386	049650	Parzializzatore 10l/min	Hydraulic shutter 10l/min	a2
387	0L0528	Sensore di livello detergente	Detergent float switch	a2
388	0L0529	Sensore di livello brillantante	Rinse aid float switch	a2
389	0L0478	Connessione	Connection	a2
		<b>Pagina 5: Circuito idraulico atmosferico</b> (per Ecolab Francia)	<b>Page 5: Atmospheric plumbing circuit</b> (for Ecolab France)	<b>ill. 611003p4_ecolab only for "a4"</b>
301a	0L1077	Sensore detergente	Detergent sensor	
302a	0L1082	Tubo flessibile 6x12	Flexible hose 6x12	L= 300 mm
303a	0L1078	Prolunga cavo sensore detergente	Detergent sensor cable extension	
304a	0L1081	Ghiera PG16	Ring nut PG16	
305a	0L1080	Pressacavo PG16	Cable holder PG16	
306a	0L1075	Raccordo boiler	Boiler connection	
307a	0L1071	Valvola di non ritorno	No backflow valve	
308a	0L0283	Boiler	Boiler	Up to Ser. Nr.: 839
308a	0L1906	Boiler	Boiler	From Ser. Nr.: 840
309a	048447	Isolante per boiler	Insulation; for boiler	
310a	0L1072	Raccordo a 90 gradi	90 degrees connection	
311a	0L1079	Pompa risciacquo	Rinse pump	50Hz
312a	083406	Condensatore per pompa risc.	Rinse pump capacitor	
313a	0L1073	Ghiera 1/8"	Ring nut 1/8"	
314a	049880	Manicotto asp. Risciaquo	Coupling; rinse	
316a	0L0365	Raccordo 3 vie d.27	Connection 3 way; diam 27-12	
318a	0L0098	Trappola D'aria; boiler	Air trap; boiler	
319a	049287	Tubo EPDM 25.5x32	Hose; diam 25	
320a	0L0367	Fascetta Cobra	Hose clamp	
321a	0L0117	Tubo 26x37	Hose	

LAVASTOVIGLIE SOTTOTAVOLO LS6 UNDERCOUNTER DISHWASHER LS6			Grassetto = variazioni Bold Print = changes	
Pos.	Cod.ric. Part No.	Descrizione	Description	Note / Notes
322a	046878	Fascetta a vite 35 -50	Hose clamp 35-50	
323a	048824	Ghiera Supp. Getti Sup.	Ring nut	
324a	048126	Fascetta a vite 13-20	Hose clamp 13-20	
325a	048531	Tubo EPDM 12x19.5	Hose	
326a	0L0110	Guarnizione Supp. Getti Sup.	Gasket	
327a	047578	Fascetta 26-38	Hose clamp 26-38	
328a	049459	Air Gap	Air Gap	
329a	049828	Guarnizione	Gasket	
330a	049460	OR	O Ring	
331a	049480	Ghiera	Ring nut	
332a	048290	Perno risciaquo	Pin; for rinse jets	
333a	048716	Ass. Portagetti Risc.	Rinse jet	Up to Ser. Nr.: 937
333a	0L2095	Ass. Portagetti Risc.	Rinse jet	From Ser. Nr.: 938
334a	0L0598	Ass. Getti Lavaggio	Washing arms assembly	
335a	048714	Tappo Getti risc.	Plug	Up to Ser. Nr.: 937
336a	048632	Rondella di Fermo Lavaggio	Lock washer	
337a	048401	Mozzo per Getti Lav.	Hub	
338a	048330	Ghiera Fiss. Supp. Getti	Ring nut	
339a	048236	Guarnizione LS7 e 8	Gasket	
340a	048979	Seger	C-Clamp	
341a	048820	Parzializzatore	Flow reducer	
342a	048819	Supp. Getti Inf.	Jets support; lower	
343a	0L0568	Elettrovalvola; 10 l/m	Electric valve; 10 l/m	
344a	049201	Guarnizione	Gasket; diam 3/4	
345a	049540	Tubo alimentazione	Feeding pipe	
346a	0L1076	Iniettore detergente	Detergent injection	
350a	048308	Trappola d'aria per pressost.	Air trap	
351a	068642	OR 2062x15.54	O Ring	
352a	049268	Dado M14x1.5	Nut; M14x1,5	
355a	0E5993	Fascetta elastica	Hose clamp	
361a	048834	Ass.filtro 3/4 G	Filter	
362a	049201	Guarnizione; diam 3/4	Gasket; diam 3/4	
364a	048883	Tubo 5x12 gomma	Hose; 5x12	
365a	049881	Pressostato	Pressure switch	
368a	048531	Tubo EPDM 12x19.5	Hose	
369a	072393	Tubo EPDM 4x7.4	Hose	
370a	048531	Tubo EPDM 12x19.5	Hose	
372a	0E3058	Pressacavo PG13.5	Cable holder PG13.5	
373a	0L1082	Tubo flessibile 6x12	Flexible hose 6x12	L= 290 mm
374a	0L1074	Tubo flessibile 1/8"x0.75	Flexible hose 1/8"x0.75	L= 300 mm
		<b>Pagina 6: Circuito idraulico a pressione</b>	<b>Page 6: Pressurized plumbing circuit</b>	<b>ill. 611003p5</b> only for "a,b,c,d,u"
402	049360	Tubo mandata; rigido	Delivery hose; rigid	

<b>LAVASTOVIGLIE SOTTOTAVOLO LS6</b>				<b>Grassetto = variazioni</b>
<b>UNDERCOUNTER DISHWASHER LS6</b>				<b>Bold Print = changes</b>
<b>Pos.</b>	<b>Cod.ric. Part No.</b>	<b>Descrizione</b>	<b>Description</b>	<b>Note / Notes</b>
403	049624	Pompa perist. Detergente	Pump; detergent	Up to ser. nr.: 521
403	0L0696	Pompa perist. Detergente	Pump; detergent	From ser. nr.: 522
404	0L0119	O-Ring	O-Ring	From ser. nr.: 245
				Up to Ser. Nr. 649
406	049022	Filtro brillantante	Filter	Up to Ser. Nr. 649
407	049024	Tanica brillantante	Wetting agent container	Up to Ser. Nr. 649
408	0L0023	Boiler a pressione	Boiler	Up to ser. 317
408	0L0284	Boiler a pressione	Boiler	From ser. 318
409	048447	Isolante per boiler	Insulation; for boiler	
423	048824	Ghiera Supp. Getti Sup.	RING NUT	
424	048126	Fascetta a vite 13 -20	Hose clamp 13-20	
425	048531	Tubo EPDM 12x19.5	Hose	
426	048823	Guarnizione Supp. Getti Sup.	Gasket	
432	048290	Perno risciaquo	Pin; for rinse jets	
433	048716	Ass. Portagetti Risc.	Rinse jet	
434	0L0598	Ass. Getti Lavaggio	Washing arms assembly	
435	048714	Tappo Getti risc.	Plug	
436	048632	Rondella di Fermo Lavaggio	Lock washer	
437	048401	Mozzo per Getti Lav.	Hub	
438	048330	Ghiera Fiss. Supp. Getti	Ring nut	
439	048236	Guarnizione LS7 e 8	Gasket	
440	048979	Seger	C-Clamp	
441	048820	Parzializzatore	Flow reducer	
442	048819	Supp. Getti Inf.	Jets support; lower	
443	048817	Elettrovalvola; 20 l/m	Solenoid valve; 20 l/m	Up to ser. nr.: 427
443	0L0566	Elettrovalvola; 20 l/m	Solenoid valve; 20 l/m	From ser. nr.: 428
444	049201	Guarnizione	GASKET; DIAM 3/4	
445	048816	Ass. Tubo alimentazione	Pipe; straight + 90 degr, 2100mm	
446	049801	Iniettore Det. AISI304	Iniection spigot	
450	048308	Trappola d'aria per pressost.	Air trap	
451	068642	OR 2062x15.54	O Ring	
452	049268	Dado M14x1.5	Nut; M14x1,5	
461	048834	Ass.filtro 3/4 G	Filter	
462	049201	Guarnizione; diam 3/4	Gasket; diam 3/4	
464	049904	Tubo	Hose	
465	049881	Pressostato	Pressure switch	
466	048195	Raccordo 3 vie	Connection 3 way; diam 12	
467	049332	Valvola DVGW	Solenoid valve	
472	049419	Tubo; interno, pompa det.	Hose; internal, det. Pump	
473	049026	Portagomma Brill.	Rubber holder	
474	046946	Fasc. Torro W2 8-12/7,5 IVP	Hose clamp 8-12	
475	048883	Tubo gomma 5X12	Hose; 5x12	
476	049484	Dosatore idraulico	Dispenser; for rinse aid	Up to Ser. Nr. 649
477	0L0094	Dosatore idraulico	Dispenser; for rinse aid	From Ser. Nr. 650

LAVASTOVIGLIE SOTTOTAVOLO LS6 UNDERCOUNTER DISHWASHER LS6				Grassetto = variazioni Bold Print = changes
Pos.	Cod.ric. Part No.	Descrizione	Description	Note / Notes
		<b>Pagina 7: Componenti elettrici</b>	<b>Page 7: Electrical components</b>	<b>ill. 611003p6</b>
500	0L1943	Guarnizione display	Display gasket	From Ser. Nr.: 743
501	049897	Interfaccia utente	User Interface	a,b,c,d,u - Up to Ser.: 237
501	0L0047	Interfaccia utente	User Interface	a,b,c,d,u - From Ser.: 238 Up to ser. 317
501	0L0279	Interfaccia utente	User Interface	a,b,c,d,u - From to ser. 318 Up to ser. nr.: 421
501	049897	Interfaccia utente	User Interface	e,f,g,h,k,i,l,m,n,o,p,q,r,s,t,v,y,z Up to ser. 317
501	0L0279	Interfaccia utente	User Interface	e,f,g,h,k,i,l,m,n,o,p,q,r,s,t,v,y,z From to ser. 318 Up to ser. nr.: 421
501	0L0279	Interfaccia utente	User Interface	a1,a2 - Up to ser. nr.: 421
501	0L0538	Interfaccia utente	User Interface	From ser. nr.: 422 Up to ser. nr.: 523
501	0L0726	Interfaccia utente	User Interface	From ser. nr.: 524 Up to Ser. Nr.: 622
501	0L1241	Interfaccia utente	User Interface	From Ser. Nr.: 623 Up to Ser. Nr.: 742
501	0L1565	Interfaccia utente	User Interface	From Ser. Nr.: 743
502	002670	Prolunga pulsante	Extension	Up to Ser. Nr.: 742
503	0L1871	Sensore reed	Sensor	
504	049917	Cruscotto Alpen.	Control panel	c,d,n,o,p,q,r,t,u,y,z,a3,a4 Up to Ser. Nr. 710
504	0L0781	Cruscotto Alpen.	Control panel	u,y,z From Ser. Nr.: 711
504	0L0781	Cruscotto Alpen.	Control panel	c,n,o,p,t,a3,a4 - From Ser. Nr.: 711 Up to Ser. Nr.: 806
504	0L1658	Cruscotto Alpen.	Control panel	c,n,o,p,t,a3,a4 - From Ser. Nr.: 807
504	0L0022	Cruscotto Zanussi	Control panel	a,b - Up to ser. nr.: 213
504	049918	Cruscotto Zanussi	Control panel	e,f,g,h,k,i,l,m,v,x,a1,a2, a,b - From Ser. nr.: 214 Up to Ser. Nr. 710
504	0L0780	Cruscotto Zanussi	Control panel	e,f,h,k,i,l,m,x,a1,a2,a,b From Ser. Nr. 711 Up to Ser. nr.: 806
504	0L1658	Cruscotto Zanussi	Control panel	e,f,h,k,i,l,m,x,a1,a2,a,b From Ser. Nr. 807
504	0L1257	Cruscotto Zanussi	Control panel	j - Up to Ser. Nr. 710
504	0L1456	Cruscotto Zanussi	Control panel	j - From Ser. Nr. 711 Up to Ser. nr.: 806
504	0L1659	Cruscotto Zanussi	Control panel	j - From Ser. Nr.: 807
505	0L0153	Membrana adesiva Franstal	Membrane	u,y,z - From Ser. nr.: 247
505	049919	Membrana adesiva Alpen	Membrane	c,d,n,o,q,r Up to Ser. nr.: 806
505	0L1654	Membrana adesiva Alpen	Membrane	c,d,n,o,q,r - From Ser. nr.: 807



<b>LAVASTOVIGLIE SOTTOTAVOLO LS6</b>				<b>Grassetto = variazioni</b>
<b>UNDERCOUNTER DISHWASHER LS6</b>				<b>Bold Print = changes</b>
<b>Pos.</b>	<b>Cod.ric. Part No.</b>	<b>Descrizione</b>	<b>Description</b>	<b>Note / Notes</b>
505	049920	Membrana adesiva Zanussi Atm.	Membrane	e,f,g,h,k,l,m,v,a2 - Up to Ser. nr.: 806
505	0L1653	Membrana adesiva Zanussi Atm.	Membrane	e,f,g,h,k,l,m,v,a2 - From Ser. nr.: 807
505	0L1251	Membrana adesiva Zanussi Atm.	Membrane	j - Up to Ser. nr.: 806
505	0L1653	Membrana adesiva Zanussi Atm.	Membrane	j - From Ser. nr.: 807
505	0L0438	Membrana adesiva Hildebrand	Membrane	i,a1
505	049921	Membrana adesiva Zanussi Press.	Membrane	a,b - Up to ser. nr.: 213
505	0L0515	Membrana adesiva Zanussi Press.	Membrane	a,b - From Ser. nr.: 214 Up to Ser. nr.: 806
505	0L1656	Membrana adesiva Zanussi Press.	Membrane	a,b - From Ser. nr.:807
505	049922	Membrana adesiva Ecotemp	Membrane	p,t,a3,a4 - Up to Ser. nr.: 806
505	0L1655	Membrana adesiva Ecotemp	Membrane	p,t,a3,a4 - From Ser. nr.: 807
506	049923	Trasform. 30VA 200..230V - 24V	Transform. 30VA 200..230V - 24V	p,t,a3
506	0L0540	Alimentatore 254V AC		j
507	0L1083	Cablaggio aggiuntivo	Additional wiring harness	a4 - Ecotemp Francia
508	0L1567	Copertura interfaccia utente	User interface cover	From Ser. Nr.: 743
509	0L1412	Scheda madre	Main board	Up to Ser. Nr.: 820
509	0L1811	Scheda madre	Main board	From Ser. Nr.: 821
510	049303	Filtro RFI trifase	RFI filter; three phase	
511	049618	Morsettiera Princ.	Junction box	Up to ser. 244
511	0L0111	Morsettiera Princ.	Junction box	From ser. 245
512	048429	Fissaggio Res. Vasca	Bracket	
513	048924	Res. Vasca 2200W-230V	Heating element; 230v, 2,2kw	
514	049580	Supporto sensore	Support; sensor	Up to ser. nr.: 329
514	0L0366	Supporto sensore	Support; sensor	From ser. nr.: 330
515	046376	OR 2037	O Ring	
516	049643	Sensore NTC	Sensor	
518	0E5037	OR 6225	O-Ring	
519	049898	Res. Flangiata 6kW 230V	Heating element 6kW 230V	not for "a3,a4"
519	049992	Res. Flangiata 9kW 230V	Heating element 9kW 230V	a3,a4
520	067898	OR 2025-1,78X6,07	O Ring	Up to ser. 317
520	046376	OR 2037	O Ring	From to ser. 318
521	067899	Premistoppa	Stuffing box	Up to ser. 317
521	0L0280	Premistoppa	Stuffing box	From to ser. 318
522	049884	Sonda di Temperatura	Temp. sound	Up to ser. 317
522	049643	Sonda di Temperatura	Temp. sound	From to ser. 318
523	049924	Guarnizione DX Crusc. Alp.	Gasket right	d,q,r,u,y,z
523	049924	Guarnizione DX Crusc. Alp.	Gasket right	c,n,o,p,t,a3,a4 Up to Ser. nr.: 806
523	049925	Guarnizione DX Crusc. Alp.	Gasket right	c,n,o,p,t,a3,a4 From Ser. nr.: 807

<b>LAVASTOVIGLIE SOTTOTAVOLO LS6</b>				<b>Grassetto = variazioni</b>
<b>UNDERCOUNTER DISHWASHER LS6</b>				<b>Bold Print = changes</b>
<b>Pos.</b>	<b>Cod.ric. Part No.</b>	<b>Descrizione</b>	<b>Description</b>	<b>Note / Notes</b>
523	049925	Guarnizione DX Crusc. Zan.	Gasket right	a,b,e,f,g,h,k,i,l,m,v,a2,j
523	049939	Guarnizione DX Crusc. Hild.	Gasket right	a1
524	049926	Guarnizione SX Crusc. Alp.	Gasket left	d,q,r,u,y,z
524	049926	Guarnizione SX Crusc. Alp.	Gasket left	c,n,o,p,t,a3,a4 Up to Ser. nr.: 806
524	049927	Guarnizione SX Crusc. Alp.	Gasket left	c,n,o,p,t,a3,a4 From Ser. nr.: 807
524	049927	Guarnizione SX Crusc. Zan.	Gasket left	a,b,e,f,g,h,k,i,l,m,v,a2,j
524	049940	Guarnizione SX Crusc.Hild.	Gasket left	a1
526	049901	Filtro induttivo-cap.; monofase	filter; single phase	
527	0L0542	Elettromagnete	Electromagnet	j
528	0L0543	Guarnizione elettromagnete	Electromagnet gasket	j
590	0L0049	Cablaggio	Wiring harness	
590	0L0530	Cablaggio aggiuntivo	Additional wiring harness	a2
590	0L0545	Cablaggio aggiuntivo	Additional wiring harness	