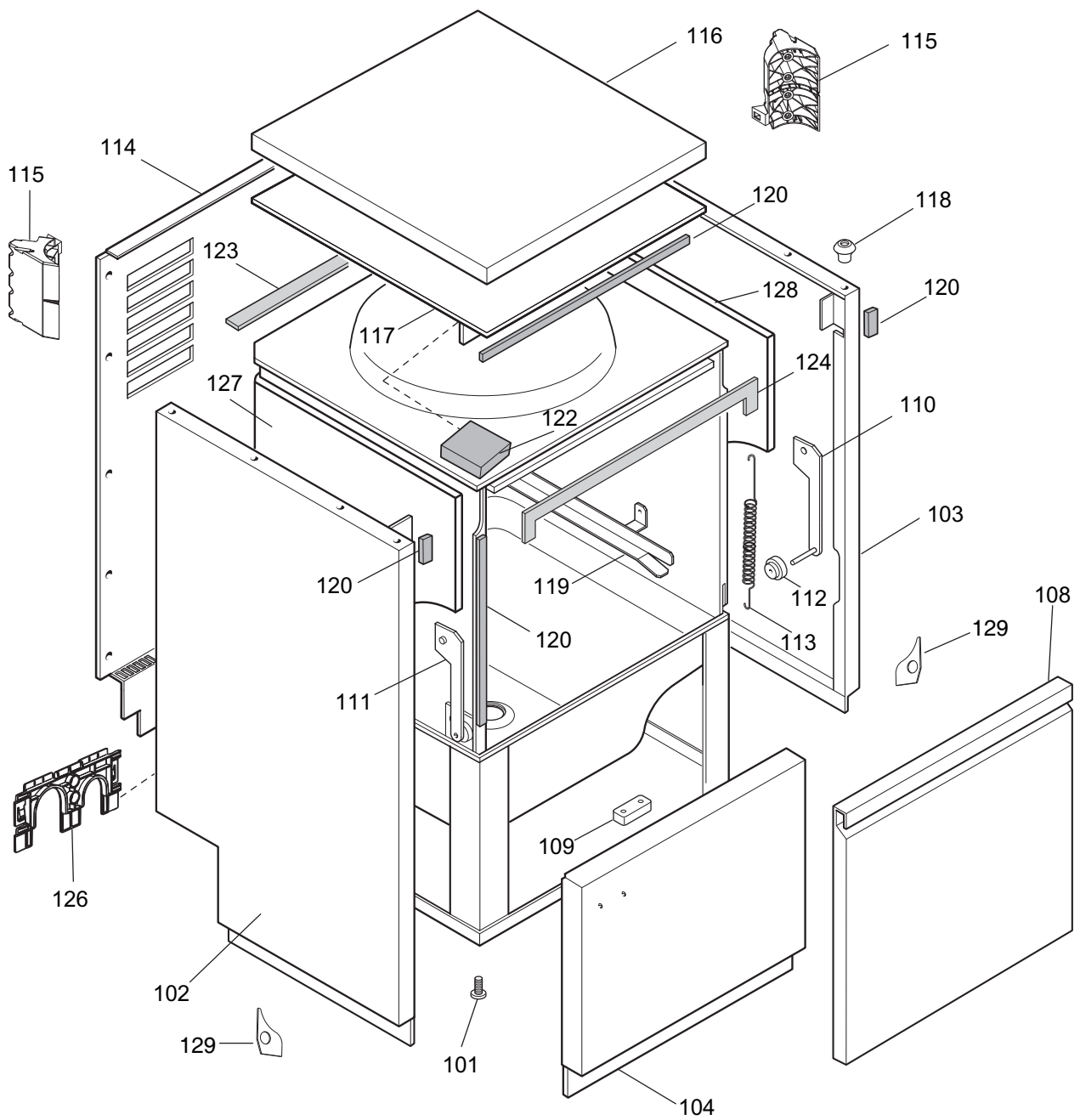


**LAVASTOVIGLIE SOTTOTAVOLO
UNDERCOUNTER DISHWASHER****LS6AH**

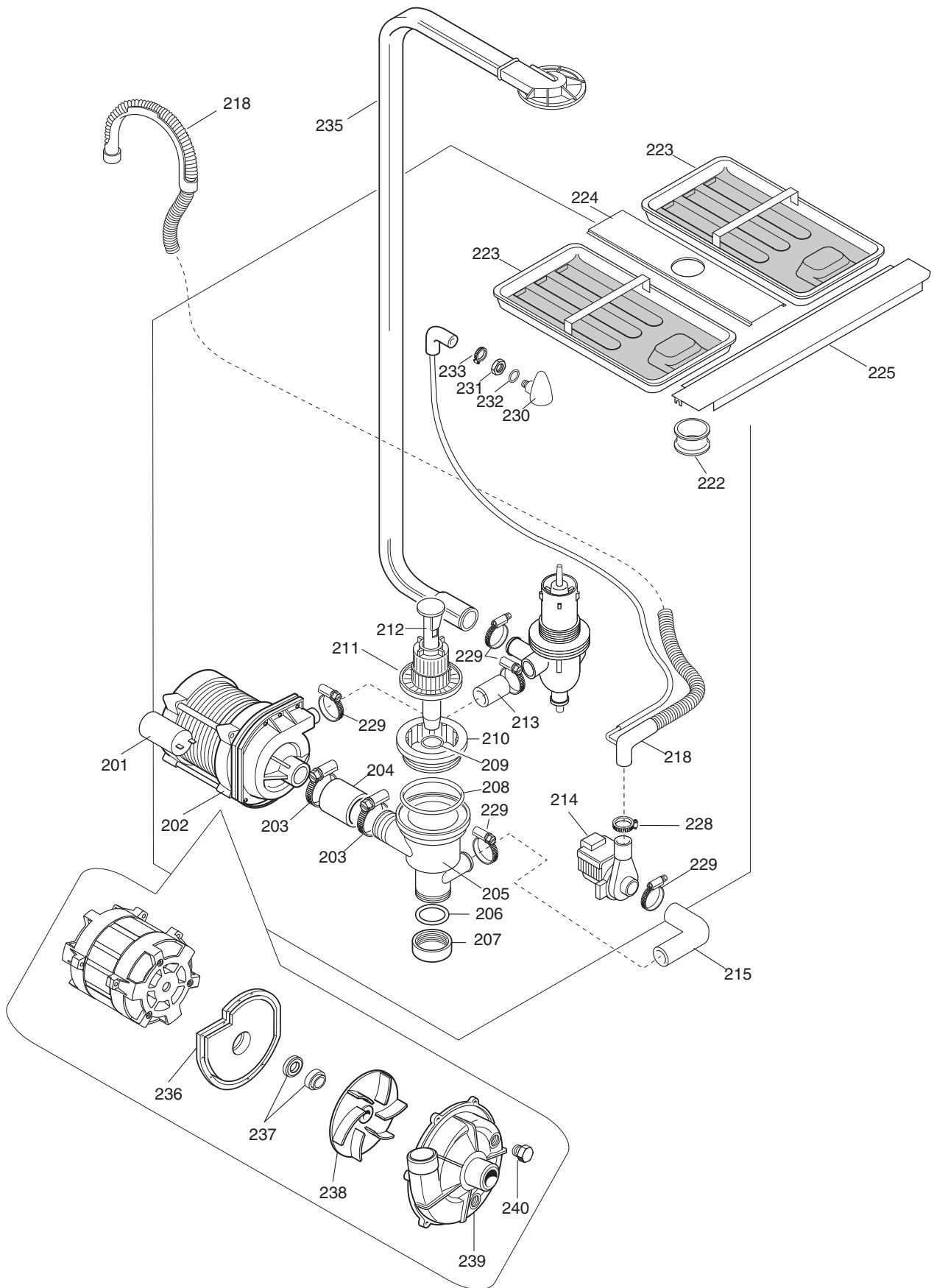
Code	Type	Ref.	Pagina/ Page
502320	LS6AH208U	a	2 3 4 6
502312	LS6AH240U	b	2 3 4 6
502319	LS6H208DU	c	2 3 4 6
502325	LS6H240DU	d	2 3 4 6
502326	LS6H208RU	e	2 3 4 6
502327	LS6H240RU	f	2 3 4 6

Pagina/ Page	Indice/ index
2	Vista generale / Main view
3	Componenti idraulici / Hydraulic components
4	Circuito idraulico / Hydraulic circuit
5	Componenti elettrici / Electrical components
6 - 11	Lista ricambi / Spare parts list

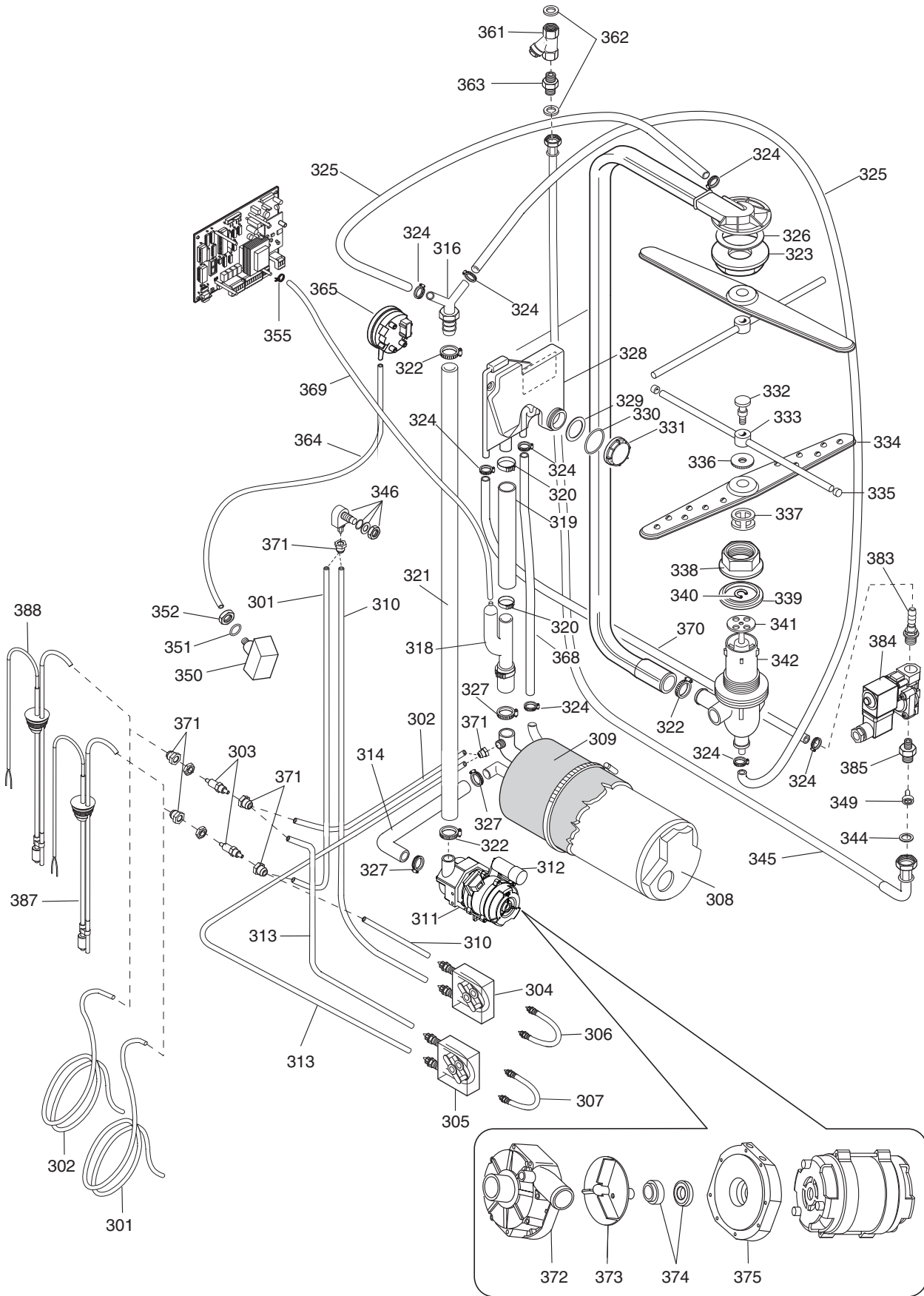
Marchio/ Brand: A
Paese/ Country: CANADA-USA



ill. 611004p2usa
 Vista generale / Main view

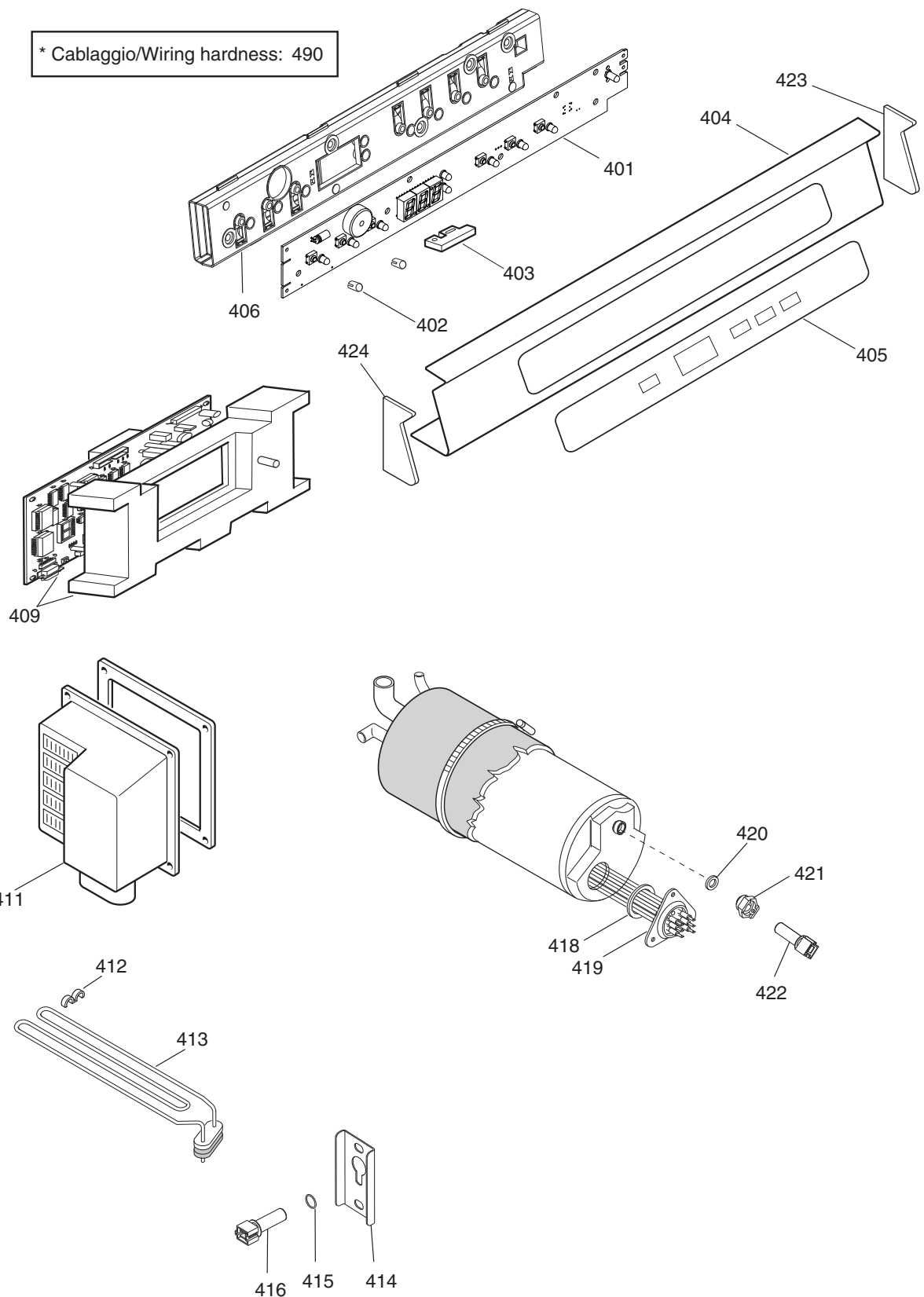


ill. 611004p3usa
 Componenti idraulici / Hydraulic components



ill. 611004p4usa
 Circuito idraulico / Hydraulic circuit

* Cablaggio/Wiring hardness: 490



Ill. 611004p5USA
Componenti elettrici / Electrical components

LAVASTOVIGLIE SOTTOTAVOLO LS6AH UNDERCOUNTER DISHWASHER LS6AH				Grassetto = variazioni Bold Print = changes
Pos.	Cod.ric. Part No.	Descrizione	Description	Note / Notes
		Pagina 2: Vista generale	Page 2: Main view	ill. 611004p2usa
101	049393	Piedino regolabile	Adjustable foot	
102	0L0105	Pannello laterale; sx	Side panel; left	For All c,d: Up to Ser. Nr. 705
102	0L1385	Pannello laterale; sx	Side panel; left	c,d: From Ser. Nr. 706
103	0L0106	Pannello laterale; dx	Side panel; right	For All c,d: Up to Ser. Nr. 705
103	0L1386	Pannello laterale; dx	Side panel; right	c,d: From Ser. Nr. 706
104	049911	Pannello frontale	Front panel	Up to Ser. Nr. 642
104	0L1312	Pannello frontale	Front panel	From Ser. Nr. 643
108	0L0783	Porta	Door	
109	049627	Magnete grigio	Magnet	
110	048813	Ass. Leva DX	Assembly Lever right	Up to ser. nr.: 526
110	0L0717	Ass. Leva DX	Assembly Lever right	From ser. nr.: 527
111	048814	Ass. Leva SX	Assembly Lever left	Up to ser. nr.: 526
111	0L0718	Ass. Leva SX	Assembly Lever left	From ser. nr.: 527
112	048812	Bronzina	Bushing	
113	048815	Molla Porta	Door spring	
114	0L0115	Schienale	Back panel	For All - Up to ser. nr.: 403
114	0L0476	Schienale	Back panel	For All - From ser. nr.: 404 c,d: Up to Ser. Nr. 705
114	0L1424	Schienale	Back panel	c,d: From Ser. Nr. 706 Up to Ser. Nr. 710
114	0L1416	Schienale	Back panel	c,d - From Ser Nr. 711
115	0L0762	Supporto angolare	Angular support	From Ser. Nr. 706
116	0L0107	Coperchio	Top panel	For All c,d: Up to Ser. Nr. 705
116	0L0745	Coperchio	Top panel	c,d: From Ser. Nr. 706
117	0L0104	Protezione superiore	Upper protection	For All c,d: Up to Ser. Nr. 705
117	0L0742	Protezione superiore	Upper protection	c,d: From Ser. Nr. 706 - Up to Ser. Nr. 710
117	0L1422	Protezione superiore	Upper protection	c,d - From Ser. Nr. 711
118	047511	Piolino	Pin	
119	0L0516	Ass. supporto Cesto	Support; for basket	From ser. nr.: 414
119	049493	Ass. supporto Cesto sx	Support; for basket	Up to ser. nr.: 413
119	048466	Ass. supporto Cesto dx	Support; for basket	Up to ser. nr.: 413
119	0L0516	Ass. supporto Cesto	Support; for basket	From ser. nr.: 414
120	0L0113	Profilo adesivo	Gasket	
122	0L0114	Pannello di rinforzo	Insulation	
123	0E5559	Guarnizione	Gasket	
124	049932	Guarnizione; cornice vasca	Gasket door	
126	0L0112	Copertura passatubi	Hoses protection	
127	0L0483	Pannello isolante sinistro	Left insulating panel	For All c,d: Up to Ser. Nr. 705

LAVASTOVIGLIE SOTTOTAVOLO LS6AH UNDERCOUNTER DISHWASHER LS6AH				Grassetto = variazioni Bold Print = changes
Pos.	Cod.ric. Part No.	Descrizione	Description	Note / Notes
127	OL1373	Pannello isolante sinistro	Left insulating panel	c,d: From Ser. Nr. 706
128	OL0482	Pannello isolante destro	Right insulating panel	
129	049362	Raccogliocce	Dropguard	Up to Ser. Nr. 705
		Pagina 3: Componenti idraulici	Page 3: Hydraulic components	ill. 611004p3usa
201	0A2914	Condensatore per pompa lavaggio	Wash pump capacitor	16µF
202	OL0419	Pompa Lavaggio	Wash pump	Up to Ser. Nr: 4281 60Hz
202	OL3401	Pompa Lavaggio	Wash pump	From Ser. Nr: 4291 60Hz
203	046878	Fascetta 38-50	Hose clamp 38-50	
204	045768	Tube Gomma 45x55	Hose	
205	048325	Coll. Asp. Scarico	Drain manifold	
206	049828	Guarniz. Tappo Ter. Sc.	Gasket	
207	046596	Tappo Terminale Sc.	Plug; for manifold	
208	049894	OR 4*110 Asp Sc.	O Ring	
209	046799	OR Troppo Pieno	O Ring	
210	048326	Ghiera collettore Asp. Sc.	Ring nut; for manifold	
211	048324	Filtro Asp. Pompa	Filter; for pump	
212	048842	Troppo pieno	Overflow pipe	
213	046257	Tube 42x52	Hose	
214	048939	Pompa scarico	Drain pump 60hz	Up to ser. nr.: 418
214	0L0527	Pompa scarico	Drain pump 60hz	From ser. nr.: 419
215	049877	Manicotto asp scarico	Coupling; drain	
218	049878	Tube Scarico	Drain pipe	
222	0L0078	Supporto Filtro	Filter support	
223	049908	Ass.Filtro Vasca	Tank filter	
224	049935	Supporto Centr. Filtri	Support; filters	
225	049936	Supp. Ant. Filtri	Support; filters	
228	047578	Fascetta 26-38 9MM	Hose clamp 26-38	
229	046878	Fascetta 28-50	Hose clamp 38-50	
230	048853	Nasello per vasca	Spigot; air relief	
231	049268	Dado ES.M14X1,5	Nut; M14x1,5	
232	068642	OR 3062; 2,62X15,54	O Ring	
233	046946	Fasc. Torro. W2 8-12/7,5 IVP	Hose clamp 8-12	
235	0L0095	Ass tubo Lavaggio	Hose	
236	0L0498	Flangia	Flange	
237	0L0490	Tenuta	Sharftsealing	
238	0L0493	Girante	Impeller	
239	049526	Chiocciola	Shell	
240	0L0473	Tappo	Plug	

LAVASTOVIGLIE SOTTOTAVOLO LS6AH UNDERCOUNTER DISHWASHER LS6AH			Grassetto = variazioni Bold Print = changes	
Pos.	Cod.ric. Part No.	Descrizione	Description	Note / Notes
		Pagina 4: Circuito idraulico	Page 4: Hydraulic circuit	ill. 611004p4usa
301	049905	Tubo detergente (bianco)	Detergent pipe (white)	2.66 m - a,b,e,f
302	0L0481	Tubo brillantante (blu)	Rinse aid pipe (blue)	2.66 m - a,b
303	0L0478	Connessione	Connection	
304	0L0506	Pompa peristaltica brillantante	Rinse aid pump	c,d,e,f - Up to ser. nr. 521
304	0L0697	Pompa peristaltica brillantante	Rinse aid pump	c,d,e,f - From ser. nr. 522
305	0L0507	Pompa peristaltica detergente	Detergent pump	c,d - Up to ser. nr. 521
305	0L0704	Pompa peristaltica detergente	Detergent pump	c,d - From ser. nr. 522
306	049418	Tubo; interno, pompa brill.	Hose;internal, rin. aid pump	c,d,e,f
307	049419	Tubo; interno, pompa det.	Hose; internal, det. Pump	c,d
308	0L0283	Boiler	Boiler	
309	0L0420	Isolante per boiler	Insulation; for boiler	
310	049905	Tubo detergente (bianco)	Detergent pipe (white)	2.66 m - c,d
311	0L0421	Pompa risciacquo	Rinse pump	60Hz - Up to ser. nr.: 607
311	0L1098	Pompa risciacquo	Rinse pump	60Hz - From ser. nr.:608
312	049260	Condensatore per pompa risc.	Rinse aid pump capacitor	6,3µF
313	0L0481	Tubo brillantante (blu)	Rinse aid pipe (blue)	2.66 m - e,f
314	049880	Manicotto asp. Risciaquo	Coupling; rinse	Up to ser. nr.: 607
314	0L1108	Manicotto asp. Risciaquo	Coupling; rinse	From ser. nr.:608
316	0L0365	Raccordo 3 vie d.27	Connection 3 way; diam 27-12	
318	0L0098	Trappola D'aria; boiler	Air trap; boyler	
319	049287	Tubo EPDM 25.5x32	Hose; diam 25	
320	0L0367	Fascetta Cobra	Hose clamp	
321	0L0117	Tubo 26x37	Hose	
322	046878	Fascetta a vite 35 -50	Hose clamp 35-50	
323	048824	Ghiera Supp. Getti Sup.	Ring nut	
324	048126	Fascetta a vite 13 -20	Hose clamp 13-20	
325	048531	Tubo EPDM 12x19.5	Hose	
326	0L0110	Guarnizione Supp. Getti Sup.	Gasket	
327	047578	Fascetta 26-38	Hose clamp 26-38	
328	049459	Air Gap std	AIR GAP	
329	049828	Guarnizione per AG	Gasket	
330	049460	OR per Ghiera AG	O Ring	
331	049480	Ghiera per A.G.	Ring nut	
332	048290	Perno risciaquo	Pin; for rinse jets	
333	048716	Ass. Portagetti Risc.	Rinse jet	
334	0L0598	Ass. Getti Lavaggio	Washing arms assembly	
335	048714	Tappo Getti risc.	Plug	
336	048632	Rondella di Fermo Lavaggio	Lock washer	
337	048401	Mozzo per Getti Lav.	Hub	
338	048330	Ghiera Fiss. Supp. Getti	Ring nut	
339	048236	Guarnizione	Gasket	
340	048979	Seger	C-Clamp	
341	048820	Parzializzatore	Flow reducer	
342	048819	Supp. Getti Inf.	Jets support; lower	

LAVASTOVIGLIE SOTTOTAVOLO LS6AH				Grassetto = variazioni
UNDERCOUNTER DISHWASHER LS6AH				Bold Print = changes
Pos.	Cod.ric. Part No.	Descrizione	Description	Note / Notes
344	049201	Guarnizione DIAM 3/4	GASKET; DIAM 3/4	
345	049540	Ass. Tubo alimentazione	Pipe; straight + 90 degr, 2100mm	Up to ser. nr.: 527
345	0L0733	Ass. Tubo alimentazione	Pipe; straight + 90 degr, 2100mm	From ser. nr.: 528
346	049801	Iniettore Detergente	Detergent iniection	
349	049650	Parzializzatore; 10L/min	Flow reducer; 10L/min	
350	048308	Trappola d'aria per pressost.	Air trap	
351	068642	OR 2062x15.54	O Ring	
352	049268	Dado M14x1.5	Nut; M14x1,5	
355	0E5993	Fascetta Elastica su Main Board	Hose clamp	
361	048834	Ass.filtro 3/4 G	Filter	Up to ser. nr. 403
361	068121	Ass.filtro 3/4 G	Filter	From ser. nr. 404
362	049201	Guarnizione; diam 3/4	Gasket; diam 3/4	
363	072457	Nipplo ottone 3/4" - 3/4"	Brass nipple 3/4" - 3/4"	
364	048883	Tubo 5x12 gomma	Hose; 5x12	
365	049881	Pressostato	Pressure switch	
368	048531	Tubo EPDM 12x19.5	Hose	
369	072393	Tubo EPDM 4x7.4	Hose	
370	048531	Tubo EPDM 12x19.5	Hose	
371	0L0349	Assieme tappo	Plug assembly	
372	0L0495	Chiocciola	Shell	Up to ser. nr.: 607
373	0L0492	Girante	Impeller	Up to ser. nr.: 607
374	0L0489	Tenuta	Sharftsealing	Up to ser. nr.: 607
375	0L0497	Flangia	Flange	Up to ser. nr.: 607
383	049508	Portagomma	Fitting	Up to ser. nr. 403
383	0L0477	Portagomma	Fitting	From ser. nr. 404
384	0L0423	Elettrovalvola	Electric valve	a, c, e - Up to ser. nr.: 427
384	0L0569	Elettrovalvola	Electric valve	a, c, e - From ser. nr.: 428
384	0L0423	Elettrovalvola	Electric valve	b,d,f - Up to ser. nr. 403
384	0L0488	Elettrovalvola	Electric valve	b,d,f - From ser. nr. 404
				Up to ser. nr.: 427
384	0L0569	Elettrovalvola	Electric valve	b,d,f - From ser. nr. 428
385	049473	Nipplo ottone 3/4"- 3/8"	Brass nipple 3/4"- 3/8"	Up to ser. nr. 403
385	0L0479	Nipplo ottone 3/4"- 3/8"	Brass nipple 3/4"- 3/8"	From ser. nr. 404
		Pagina 5: Componenti elettrici	Page 5: Electrical components	ill. 611004p5USA
401	0L0279	Interfaccia utente	User Interface	Up to ser. nr.: 421
401	0L0538	Interfaccia utente	User Interface	From S.N. 422 -Up to S.N. 523
401	0L0726	Interfaccia utente	User Interface	From ser. nr.: 524
				Up to Ser. Nr.: 622
401	0L1241	Interfaccia utente	User Interface	From Ser. Nr.: 623
				Up to Ser. Nr.: 742
401	0L1565	Interfaccia utente	User Interface	From Ser. Nr.: 743
402	002670	Prolunga pulsante	Plug extension	Up to Ser. Nr.: 742

LAVASTOVIGLIE SOTTOTAVOLO LS6AH UNDERCOUNTER DISHWASHER LS6AH				Grassetto = variazioni Bold Print = changes
Pos.	Cod.ric. Part No.	Descrizione	Description	Note / Notes
403	0L1871	Sensore reed	Reed sensor	
404	049918	Assieme cruscotto	Control panel	For All - c,d: Up to S.N. 705
404	0L0780	Assieme cruscotto	Control panel	c,d: From Ser. Nr. 706
405	049920	Membrana adesiva	Stick membrane	
406	0L1567	Copertura interfaccia utente	User interface cover	From Ser. Nr.: 743
409	0L1412	Scheda madre	Main board	
411	0L0111	Morsettiera Princ.	Junction box	
412	048429	Fissaggio Res. Vasca	Bracket	
413	0L0424	Res. Vasca 2,2 kW, 208V	Heating element; 2,2kW, 208V	a,c,e
413	0L0426	Res. Vasca 2,2 kW, 240V	Heating element; 2,2kW, 240V	b,d,f
414	0L0366	Supp Sensore	Support; sensor	
415	046376	OR 2037	O Ring	
416	049643	Sensore NTC	NTC sensor	
418	0E5037	OR 6225	O-Ring	
419	0L0428	Res. Flangiata 6kW 208V	Heating element 6kW 208V	a,c,e
419	0L0429	Res. Flangiata 6kW 240V	Heating element 6kW 240V	b,d,f
420	046376	OR 2037	O Ring	
421	0L0280	Premistoppa	Stuffing box	
422	049643	Sonda di Temperatura	Temperature sound	
423	049925	Guarnizione DX	Gasket right	For All c,d: Up to Ser. Nr. 705
423	0L0756	Guarnizione DX	Gasket right	c,d: From Ser. Nr. 706
424	049927	Guarnizione SX	Gasket left	For All c,d: Up to Ser. Nr. 705
424	0L0755	Guarnizione SX	Gasket left	c,d: From Ser. Nr. 706
490	0L0486	Cablaggio	Wiring harness	

LAVASTOVIGLIE SOTTOTAVOLO LS6AH UNDERCOUNTER DISHWASHER LS6AH			Grassetto = variazioni Bold Print = changes	
Pos.	Cod.ric. Part No.	Descrizione	Description	Note / Notes