

LAVASTOVIGLIE CAPPOTTINA HOOD TYPE DISHWASHER

LS 10/14

Code	Type	Ref.	Pagina/ Page	Code	Type	Ref.	Pagina/ Page
ATMOSFERICA				ATMOSFERICA			
504101	LS14EA	a	2 3 5 8	698051	HT1000	n	2 3 5 8
504104	ET12E	b	2 3 5 8	698053	HT1200 INS	o	2 3 5 8
504110	LS14EA/INS	c	2 3 5 8	698056	ET12EIG	p	2 3 4 6
504116	LS14EA/AU	d	2 3 5 8 9 10	698057	ET12EI	q	2 3 5 8
504117	LS14EA/60	e	2 3 5 8	698059	LV1000	s	2 3 5 8
504131	LS14EA/ASIA	f	2 3 5 8	698060	LV1200INS	t	2 3 5 8
504133	LS14EA/G	g	2 3 5 8	698061	ET12EICWG	u	2 3 5 8
504142	LS10EA	h	2 3 5 8	698062	ET12EICW	z	2 3 5 8
504155	LS14EA/DD	k	2 3 5 8	698065	ET12EIF	a1	2 3 7 8
504165	ECOTEMP12SW	l	2 3 5 8	PRESSIONE			
504179	LS14EADP/G	r	2 3 5 8	504220	LS14ROW	w	2 4 6 8
504221	LS14SANA	j	2 4 6 8	504224	LS14ROW60	x	2 3 7 8
698009	H3500	i	2 3 5 8				
698017	H1510SANA	v	2 3 5 8 9 10				
698050	HT1200	m	2 3 5 8				

Pagina/ Page
Indice/ index

2	Vista generale / Main view
3	Componenti idraulici / Hydraulic components
4	Circuito idraulico (per LS14ROW) / Hydraulic circuit (for LS14ROW)
5	Circuito idraulico / Hydraulic circuit
6	Circuito idraulico (per LS14ROW) / Hydraulic circuit (for LS14ROW)
7	Circuito idraulico (per Ecolab Francia) / Hydraulic circuit (for Ecolab France)
8	Componenti elettrici / Electrical components
9	Componenti AU / AU components (Up to ser. nr. 406)
10	Componenti AU / AU components (From Ser. nr. 407)
11 - 22	Lista ricambi / Spare parts list

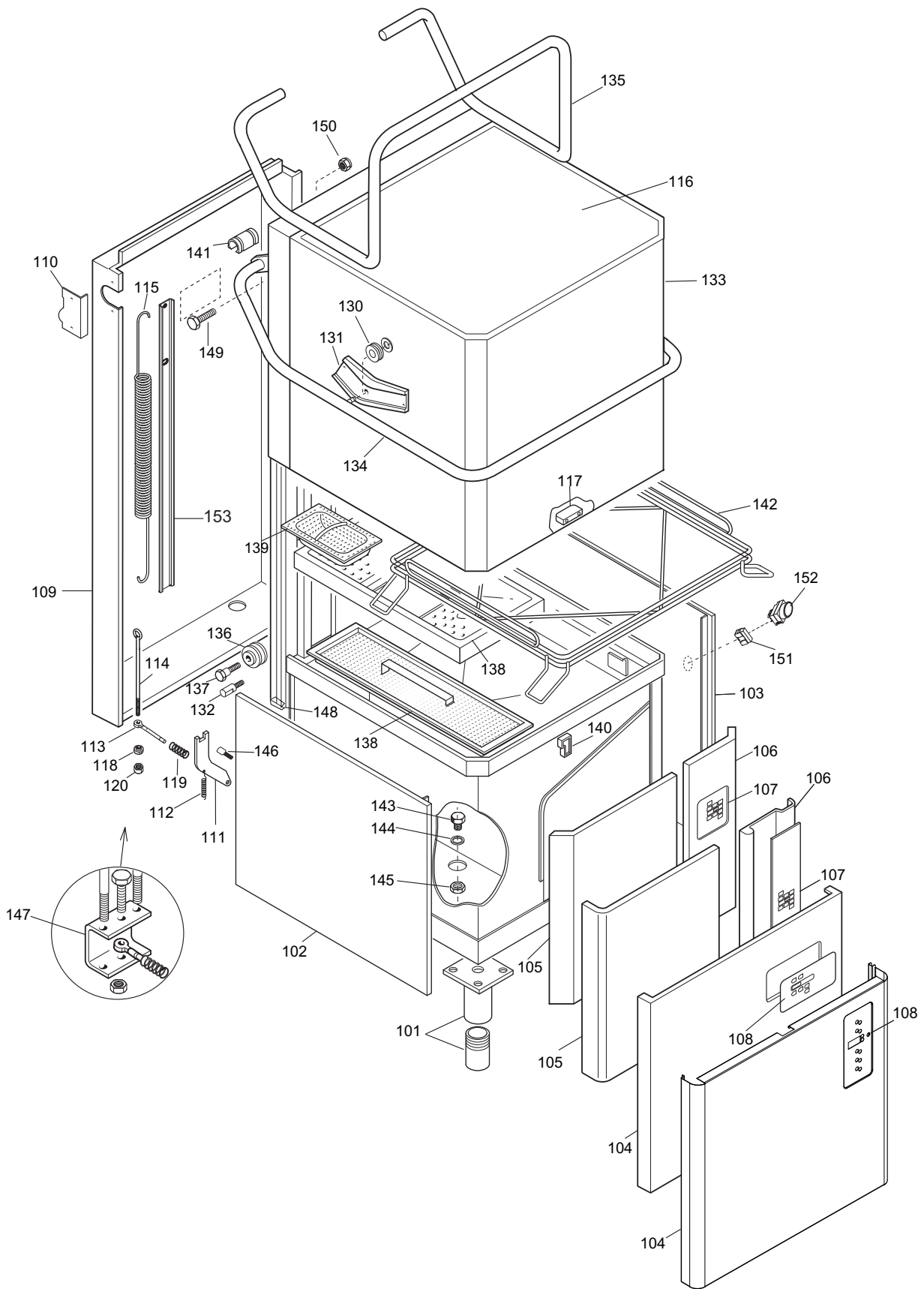
Marchio/ Brand: Z - Eco - A
Paese/ Country: Tutti / All

Da Ser.Nr./From Ser.nr.: /222....

Page: 1

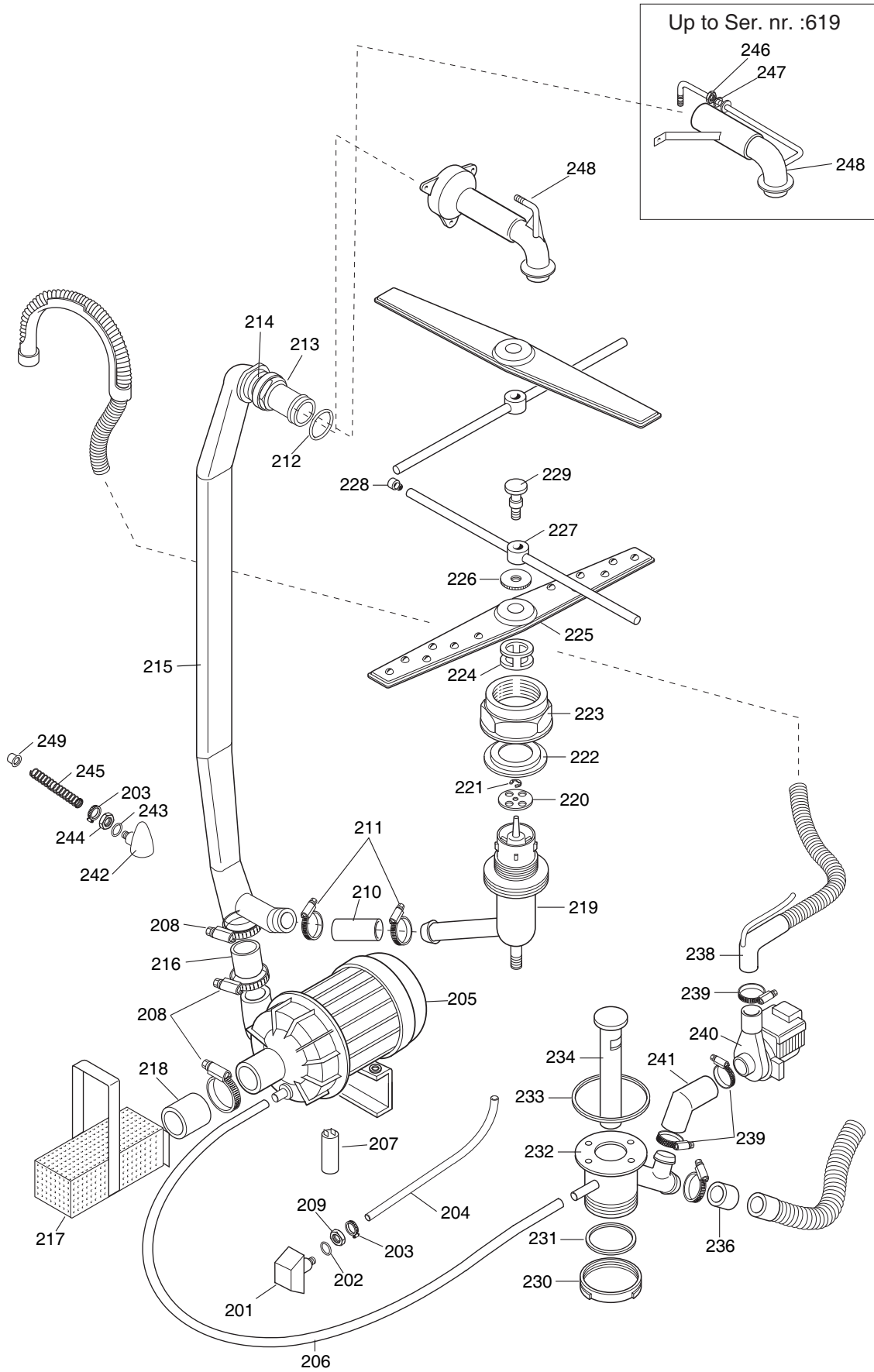
Ed.2010-02

Doc. Nr.: 6-41 004

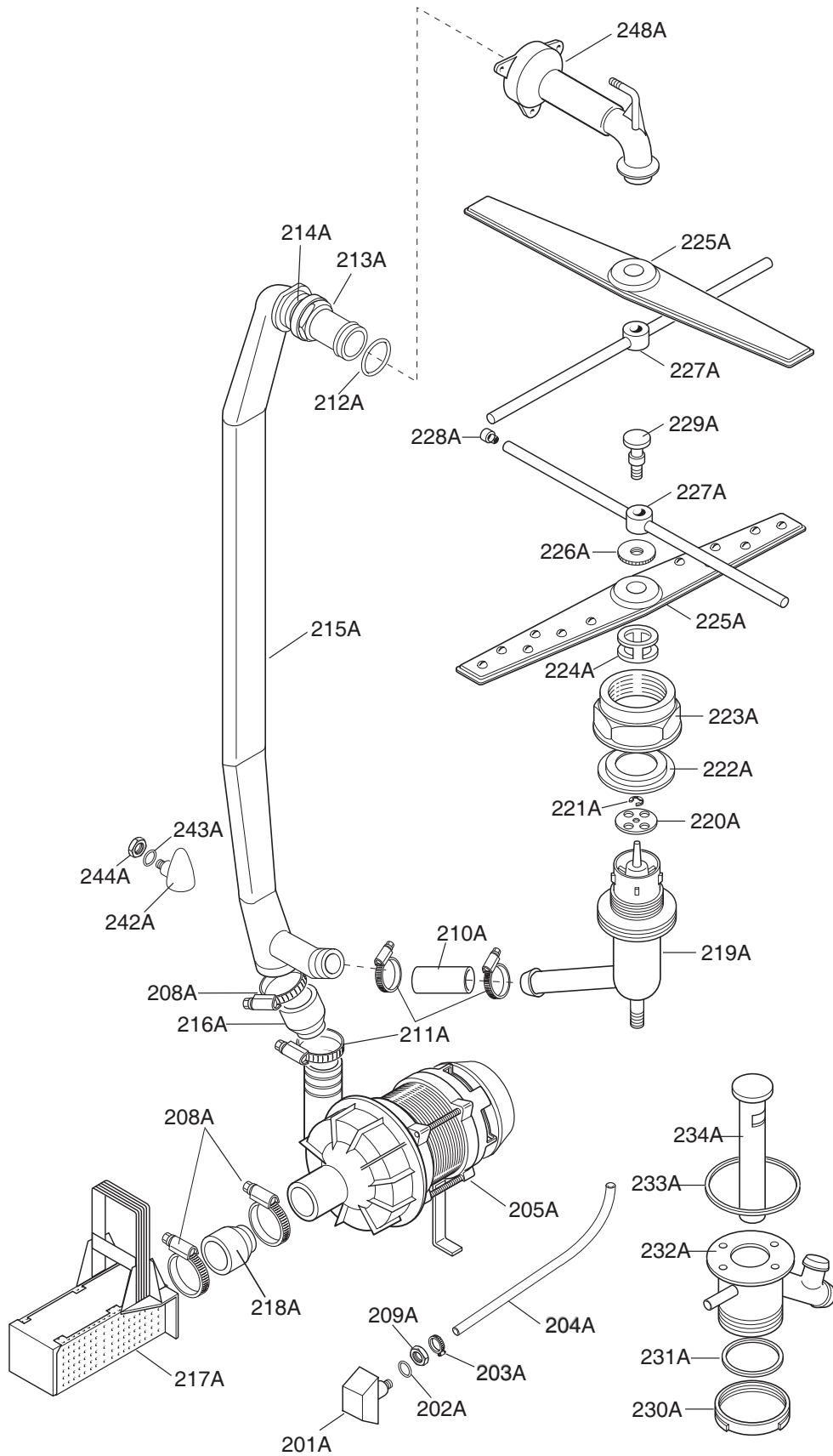


III. 641004p1
Vista generale / Main view

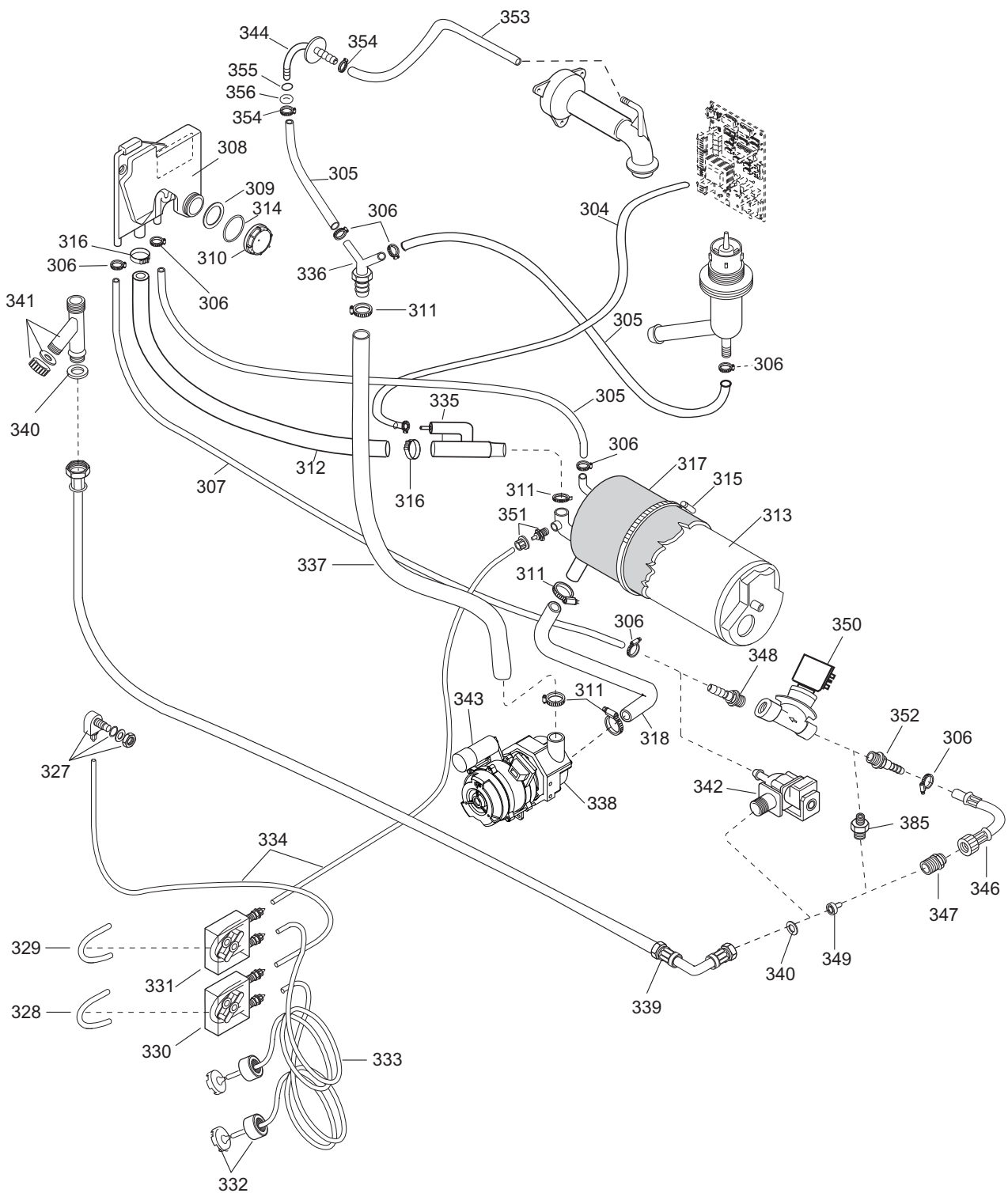
Da Ser.Nr./From Ser.nr.: /222....



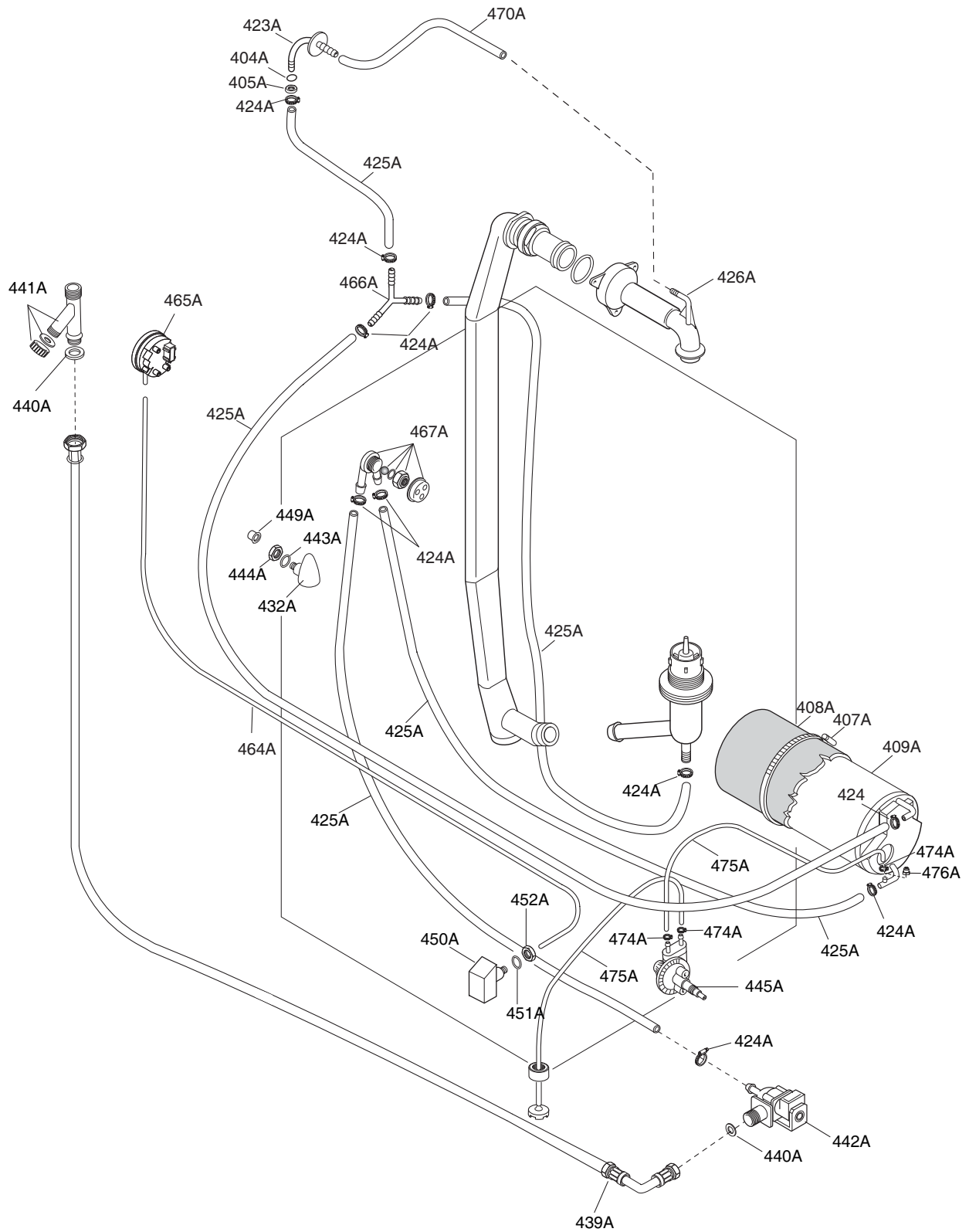
ill. 641004p2
Componenti idraulici / Hydraulic components



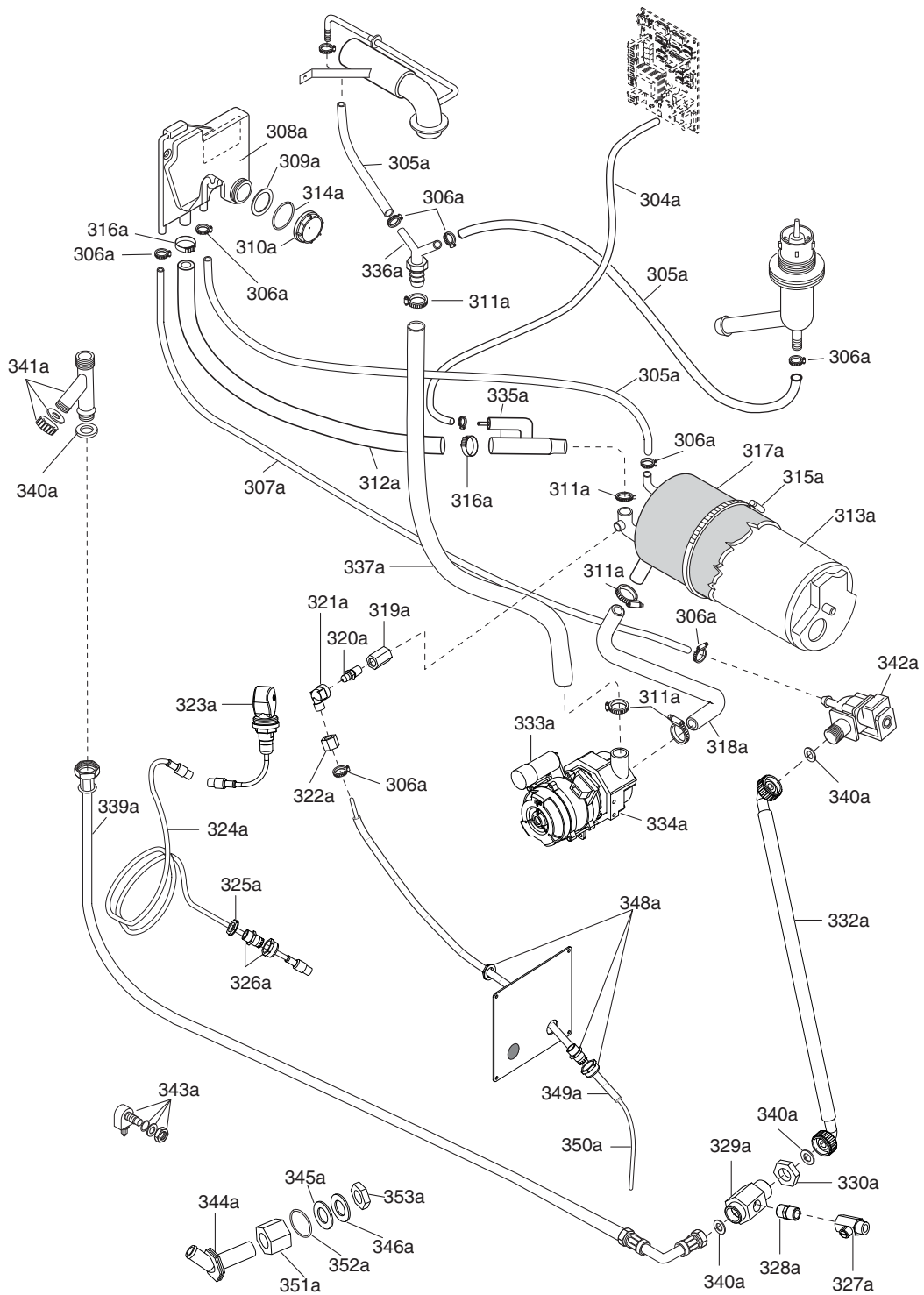
ill. 631002p3
 Componenti idraulici (per LS14ROW) / Hydraulic components (for LS14ROW)



ill. 641004p3NEW
Circuito idraulico / Hydraulic circuit



ill. 631002p5new
 Circuito idraulico (per LS14ROW) / Hydraulic circuit (for LS14ROW)



iii. 641004p3NEW_ecolab
 Circuito idraulico (per Ecolab Francia) / Hydraulic circuit (for Ecolab France)

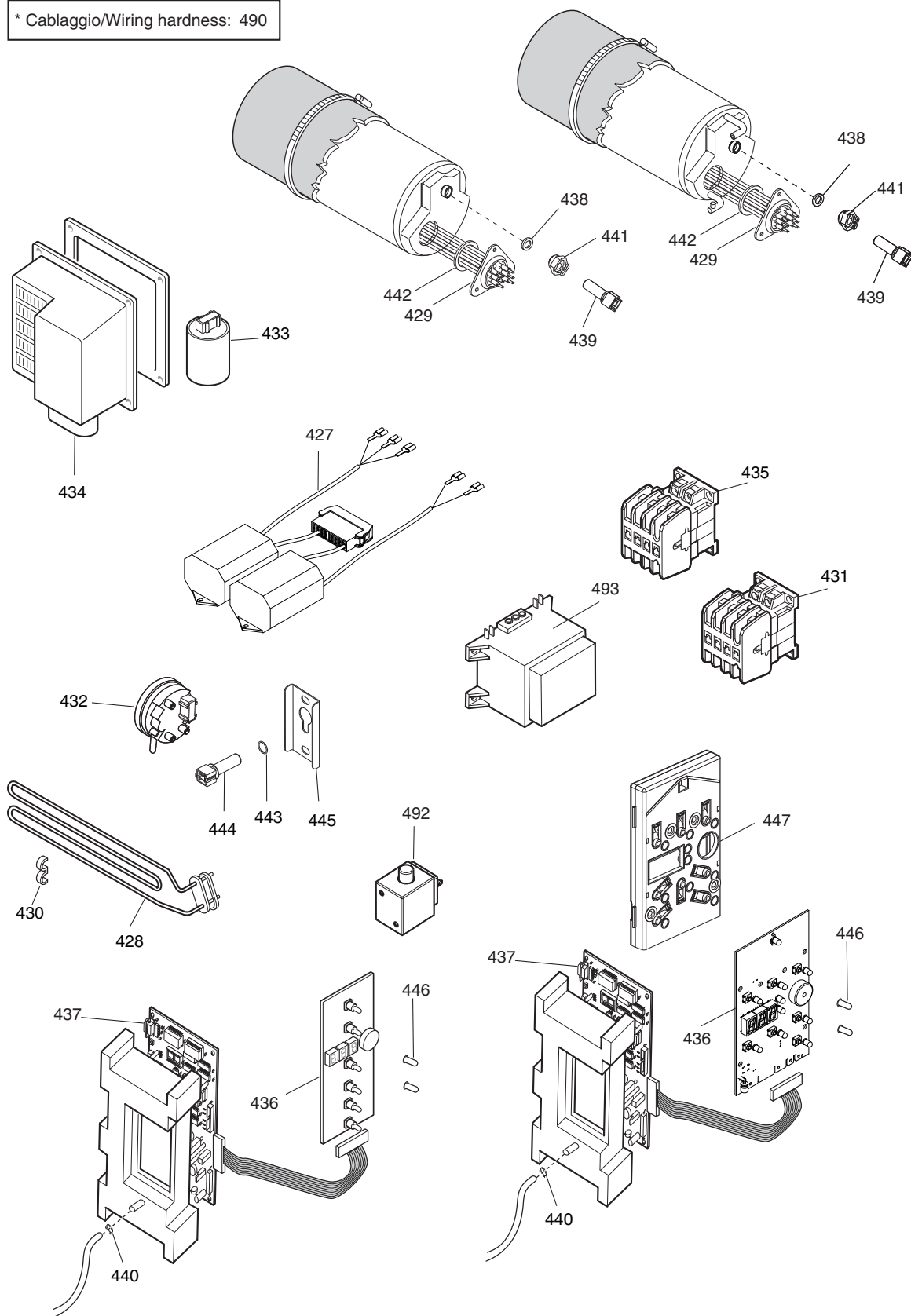
Da Ser.Nr./From Ser.nr.: /222....

Page: 7

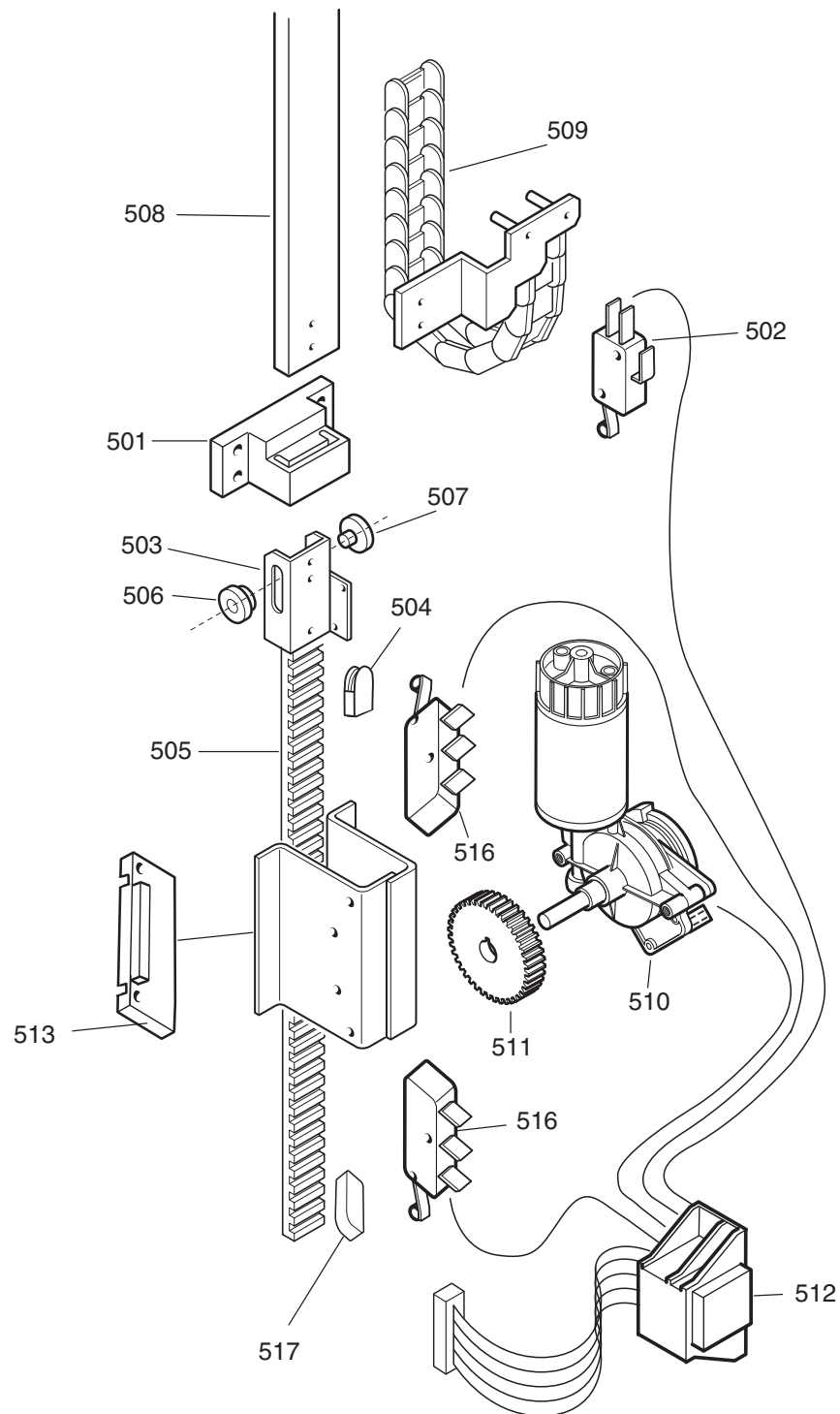
Ed.2006-03

Doc. Nr.: **6-41 004**

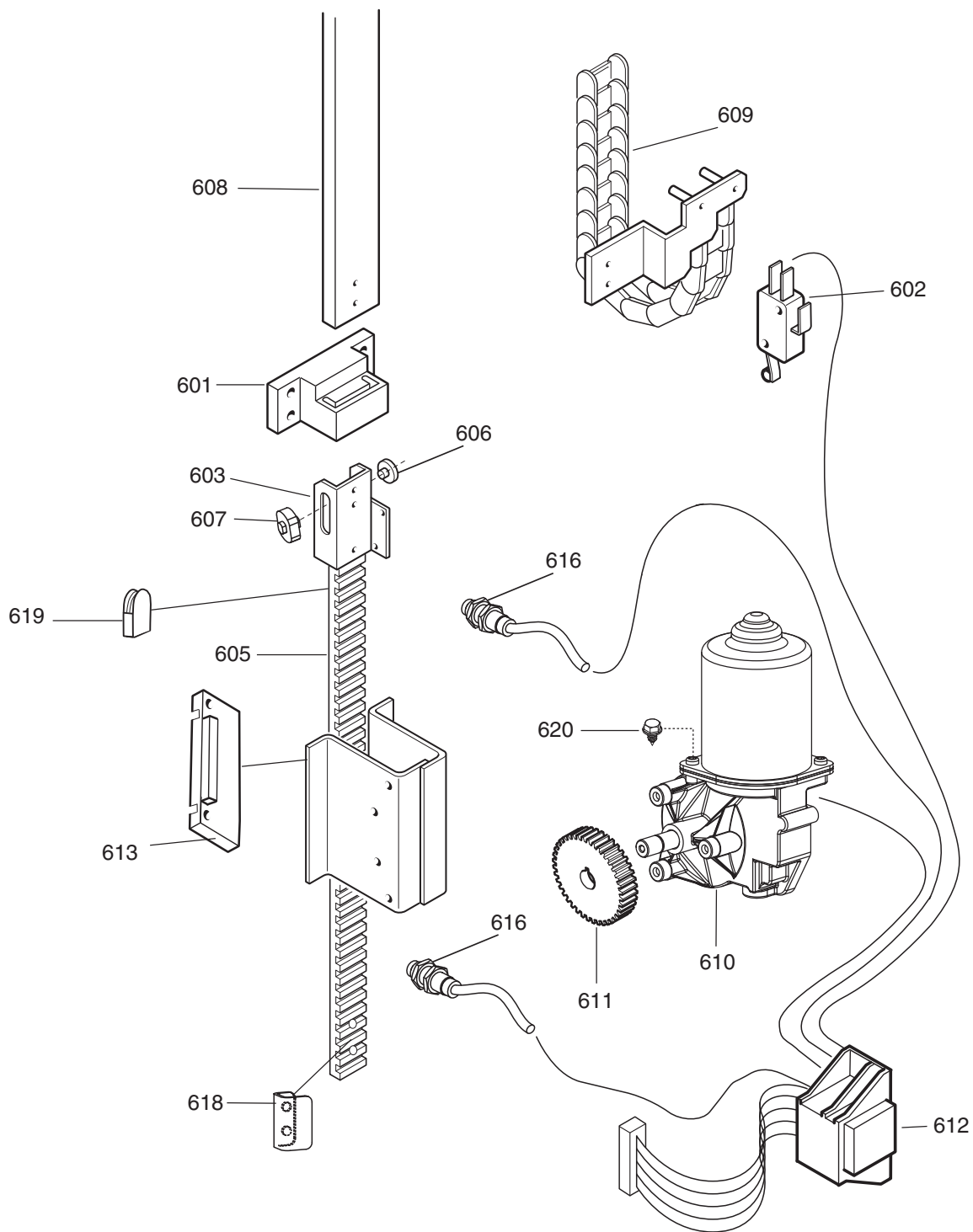
* Cablaggio/Wiring hardness: 490



ill. 641004p4
Componenti elettrici / Electrical components



ill. 641004p5 (Up to Ser. nr. 406)
 Componenti AU / AU components (Up to ser. nr. 406)



ill. 641004p5a
 Componenti AU / AU components (From Ser. nr. 407)

**LAVASTOVIGLIE CAPPOTTINA LS 10/14
HOOD TYPE DISHWASHER LS 10/14**

**Grassetto = variazioni
Bold Print = changes**

Pos.	Cod.ric. Part No.	Descrizione	Description	Note / Notes
		Pagina 2: Vista generale	Page 2: Main view	ill. 641004p1
101	048579	Piede; compl.	Foot; compl.	not for "v" v From Ser. Nr. 713
101	0L0016	Piede; compl.	Foot; compl.	v - Up to Ser. Nr. 712
102	049743	Pannello laterale sx	Side panel, left	a,c,d,e,f,g,h,i,k,m,n,o,r,s,t,v,w,j,x
102	049741	Pannello laterale sx	Side panel, left	b,l,p,q,u,z
102	0L1092	Pannello laterale sx	Side panel, left	a1
103	049740	Pannello laterale dx	Side panel, right	b,l,p,q,u,z
103	049742	Pannello laterale dx	Side panel, right	a,c,e,f,g,h,i,k,m,n,o,r,s,t,w,j,x
103	0L0614	Pannello laterale dx	Side panel, right	d,v
103	0L1091	Pannello laterale dx	Side panel, right	a1
104	049842	Pannello comandi	Control panel	s,t
104	049842	Pannello comandi	Control panel	m,n,o - Up to Ser. nr.: 810
104	0L1683	Pannello comandi	Control panel	m,n,o - From Ser. nr.: 811
104	0L0444	Pannello comandi	Control panel	i - Up to Ser. nr.: 741
104	049843	Pannello comandi	Control panel	i - From Ser. nr.: 742
104	049843	Pannello comandi	Control panel	l,u
104	049843	Pannello comandi	Control panel	b,p,q,z,a1 - Up to Ser. nr.: 810
104	0L1683	Pannello comandi	Control panel	b,p,q,z,a1 - From Ser. nr.: 811
104	0L1133	Pannello comandi	Control panel	g,r - From Ser. nr.: 620
104	0L1133	Pannello comandi	Control panel	a,c,d,e,f,h,k,j From Ser. nr.: 620 Up to Ser. Nr.: 810
104	0L1685	Pannello comandi	Control panel	a,c,d,e,f,h,k,j From Ser. nr.: 811
104	0L1135	Pannello comandi	Control panel	w,x - Up to Ser. Nr.: 810
104	0L1185	Pannello comandi	Control panel	w,x - From Ser. nr.: 811
104	0L1134	Pannello comandi	Control panel	v - From Ser. nr.: 620
105	049565	Pannello frontale	Front panel	a,c,d,e,f,g,h,k,r Up to Ser. nr.: 619
105	0L0460	Pannello frontale	Front panel	v - Up to Ser. nr.: 619
106	049999	Pannello comandi	Control panel	a,c,d,e,f,g,h,k,r Up to Ser. nr.: 619
106	0L0013	Pannello comandi	Control panel	v - Up to Ser. nr.: 619
107	0L0005	Membrana adesiva	Membrane	d - Up to Ser. Nr.: 810
107	0L1675	Membrana adesiva	Membrane	d - From Ser. Nr.: 811
107	0L0461	Membrana adesiva	Membrane	v
107	0L0008	Membrana adesiva	Membrane	h - Up to Ser. Nr.: 810
107	0L1677	Membrana adesiva	Membrane	h - From Ser. Nr.: 811
107	0L0001	Membrana adesiva	Membrane	g,r
107	0L0001	Membrana adesiva	Membrane	a,c,e,f,k - Up to Ser. Nr.: 810
107	0L1676	Membrana adesiva	Membrane	a,c,e,f,k - From Ser. Nr.: 811
107	0L1254	Membrana adesiva	Membrane	j - Up to Ser. Nr.: 810
107	0L1676	Membrana adesiva	Membrane	j - From Ser. Nr.: 811
108	0L0085	Membrana adesiva	Membrane	w - Up to Ser. Nr.: 810
108	0L1680	Membrana adesiva	Membrane	w - From Ser. Nr.: 811

Da Ser.Nr./From Ser.nr.: /222....

LAVASTOVIGLIE CAPPOTTINA LS 10/14
HOOD TYPE DISHWASHER LS 10/14

Grassetto = variazioni
Bold Print = changes

Pos.	Cod.ric. Part No.	Descrizione	Description	Note / Notes
108	049610	Membrana adesiva	Membrane	l,u
108	049610	Membrana adesiva	Membrane	b,p,q,z,a1 - Up to Ser. Nr.: 810
108	0L1679	Membrana adesiva	Membrane	b,p,q,z,a1 - From Ser. Nr.: 811
108	049607	Membrana adesiva	Membrane	n - Up to Ser. Nr.: 810
108	0L1682	Membrana adesiva	Membrane	n - From Ser. Nr.: 811
108	0L0160	Membrana adesiva	Membrane	s
108	0L0161	Membrana adesiva	Membrane	t
108	049609	Membrana adesiva	Membrane	m,o - Up to Ser. Nr.: 810
108	0L1681	Membrana adesiva	Membrane	m,o - From Ser. Nr.: 811
108	0L0443	Membrana adesiva	Membrane	i
109	049990	Schienale	Back	b,l,q,z,a1
109	049964	Schienale	Back	p,u
109	0L0288	Schienale	Back	g,r
109	0L0002	Schienale	Back	a,c,d,e,f,h,i,k,m,n,o,s,t,v,w,x
109	0L0607	Schienale	Back	j
110	0L0003	Squadretta; sx	Plate; left	
110	0L0004	Squadretta; dx	Plate; right	
111	049578	Leva di sicurezza	Lever; safety	
111	049578	Leva di sicurezza	Lever; safety	Only for "d,v" - Up to ser. nr.: 406
112	049584	Molla per leva	Spring; lever	
112	049584	Molla per leva	Spring; lever	Only for "d,v" - Up to ser. nr.: 406
113	049587	Perno per sicurezza	Pin; safety	
113	049587	Perno per sicurezza	Pin; safety	Only for "d,v" - Up to ser. nr.: 406
113	049591	Perno per sicurezza	Pin; safety	c,i,k,o,p,q,t,u,z,a1,j
113	049591	Perno per sicurezza	Pin; safety	Only for "d,v" - Up to ser. nr.: 406
114	049583	Tendimolla	Spring stretcher	
115	049582	Molla	Spring	a,b,c,e,f,g,h,i,k,l,m,n,o,p,q,r,s,t,u, z,a1,w,j,x
115	049947	Molla	Spring	d,v
116	049795	Coperchio	Cover	b,i,l,m,n,o,p,q,s,t,u,z,a1
116	0L0163	Coperchio	Cover	a,c,d,e,f,g,h,k,r,w Up to Ser. nr.: 619
116	049794	Coperchio	Cover	a,c,d,e,f,g,h,k,r,w,j,x From Ser. nr.: 620
116	049794	Coperchio	Cover	v
117	049627	Magnete	Magnet	
118	049761	Boccola	Bush	
119	049585	Molla; sicurezza	Spring; safety	
119	049585	Molla; sicurezza	Spring; safety	Only for "d,v" - Up to ser. nr.: 406
120	0H2562	Dado M6	Nut M6	
130	049598	Rotella; maniglia	Roller; hendle	
131	049597	Guida; maniglia	Guide; handle	
132	048635	Perno	Pin	
133	0L0030	Cappotta	Hood	d
133	0L0463	Cappotta	Hood	v
133	0L0017	Cappotta	Hood	c,k - Up to ser. nr.: 406

Da Ser.Nr./From Ser.nr.: /222....

LAVASTOVIGLIE CAPPOTTINA LS 10/14 HOOD TYPE DISHWASHER LS 10/14				Grassetto = variazioni Bold Print = changes
Pos.	Cod.ric. Part No.	Descrizione	Description	Note / Notes
133	0L0436	Cappotta	Hood	c,k - From ser. nr.: 407 Up to Ser. nr.: 619
133	0L0433	Cappotta	Hood	c,k - From Ser. nr.: 620
133	049995	Cappotta	Hood	a,e,f,g,h,r - Up to ser. nr.: 406
133	0L0418	Cappotta	Hood	a,e,f,g,h,r,w - From ser. nr.: 407 Up to Ser. nr.: 619
133	0L0431	Cappotta	Hood	a,e,f,g,h,r,w,x - From Ser. nr.: 620
133	049991	Cappotta	Hood	l,o,p,q,t,u,z,a1 - Up ser.: 406
133	0L0434	Cappotta	Hood	l,o,p,q,t,u,z ,a1 - From ser.: 407
133	0L0445	Cappotta	Hood	i - Up to ser.: 406
133	0L0505	Cappotta	Hood	i - From ser.: 407
133	049988	Cappotta	Hood	b,m,n,s - Up to ser.: 406
133	0L0432	Cappotta	Hood	b,m,n,s - From ser.: 407
133	0L0435	Cappotta	Hood	j
134	049996	Maniglione; compl	Handle; compl.	a,c,e,f,g,h,k,r,w,j,x
134	049989	Maniglione; compl	Handle; compl.	b,i,l,m,n,o,p,q,s,t,u,z,a1
135	0L0014	Maniglione; compl	Handle; compl.	d,v
136	048657	Ruota	Wheel	
137	048656	Perno; ruota	Pin; wheel	
138	049846	Filtro piano	Filter plate	For all (not for "w,x") - (b,m,n,o,p,q,s,t,u,z: Up to Ser. Nr. 629)
138	0L0069	Filtro	Filter	w,x (b,m,n,o,p,q,s,t,u,z: From Ser. Nr. 630)
139	048252	Filtro; cestello	Filter; basket	For all (not for "w,x") (b,m,n,o,p,q,s,t,u,z: Up to Ser. Nr. 629)
140	0L1871	Sensore	Sensor	
141	049594	Supporto	Support	
142	0L0289	Guida cesto; compl.	Guide; compl.	not for "v" - Up to Ser. nr.: 619
142	049629	Guida cesto; compl.	Guide; compl.	v All From Ser. nr.: 620
143	049502	Tappo; M20X1,5	Plug; M20x1,5	for all a1: Up to Ser. nr.: 617 From Ser. nr.: 621
143	0L1148	Tappo G 3/4	Plug G 3/4	a1: From Ser. nr.: 618 Up to Ser. nr.: 620
144	048245	Guarnizione	Gasket	
145	049436	Dado; M20X1,5	Nut; M20x1,5	
146	049586	Perno; leva	Pin; lever	
146	049586	Perno; leva	Pin; lever	Only for "d,v" - Up to ser. nr.: 406
147	049579	Squadretta	Plate	c,i,k,o,p,q,t,u,z,a1,j
147	049579	Squadretta	Plate	Only for "d,v" - Up to ser. nr.: 406
148	048710	Paracolpi; inferiore	Shock absorber; lower	
149	0L0100	Vite	Screw	
150	0L0101	Dado	Nut	

LAVASTOVIGLIE CAPPOTTINA LS 10/14 HOOD TYPE DISHWASHER LS 10/14				Grassetto = variazioni Bold Print = changes
Pos.	Cod.ric. Part No.	Descrizione	Description	Note / Notes
151	075601	Contatto	Contact	Up to ser. nr.: 443
151	0L0616	Contatto	Contact	From ser. nr.: 444
152	049238	Pulsante	Button	Up to ser. nr.: 443
152	0L0615	Pulsante	Button	From ser. nr.: 444
153	0L0606	Asta di bloccaggio	Locking rod	j
		Pagina 3: Componenti idraulici	Page 3: Hydraulic components	ill. 641004p2 Not for:"w,x"
201	048308	Trappola d'aria	Air trap	
202	068642	O ring	O Ring	
203	046946	Fascetta 8-12	Hose clamp 8-12	
204	048883	Tubo 5x12	Hose 5x12	Up to Ser. nr.: 006
204	049904	Tubo	Hose	From Ser. nr.: 007
205	048216	Pompa lavaggio; 230-400V 3X 50HZ	Wash pump; 230-400V 3X 50HZ	a,b,c,d,f,g,h,i,k,l,m,n,o,q,r,s, t,v,z,a1 - Up to Ser. nr.: 305
205	0L0027	Pompa lavaggio; 230-400V 3X 50HZ	Wash pump; 230-400V 3X 50HZ	a,b,c,d,f,g,h,i,k,l,m,n,o,q,r,s, t,v,z,a1,j - From Ser. nr.: 306
205	0L0027	Pompa lavaggio; 230-400V 3X 50HZ	Wash pump; 230-400V 3X 50HZ	p,u
205	048501	Pompa lavaggio; 230-400V 3X 60HZ	Wash pump; 230-400V 3X 60HZ	e - Up to Ser. nr.: 305
205	0L0096	Pompa lavaggio; 230-400V 3X 60HZ	Wash pump; 230-400V 3X 60HZ	e - From Ser. nr.: 306
206	048531	Tubo gomma; L=1645 MM	Hose	
208	046853	Fascetta 68-85	Hose clamp 68-85	
209	049268	Dado; M14X1,5	Nut; M14x1,5	
210	0L0558	Manicotto	Hose	Up to ser. nr.: 443
210	0L0612	Manicotto	Hose	From ser. nr.: 444
211	0L0193	Fascetta 40-60	Hose clamp 40-60	
212	0L0185	O Ring	O Ring	
213	049596	Ghiera	Ring nut	Up to Ser. nr.: 425
213	0L0557	Ghiera	Ring nut	From Ser. nr.: 426
214	049593	O Ring	O Ring	
215	049595	Tubo collegamento getti	Pipe; jets connection	Up to Ser. nr.: 425
215	0L0556	Tubo collegamento getti	Pipe; jets connection	From Ser. nr.: 426
216	045456	Tubo	Hose	Up to ser. nr.: 443
216	0L0613	Tubo	Hose	From ser. nr.: 444
217	049810	Protezione pompa; compl.	Pomp protection;compl.	
218	048242	Manicotto	Hose	
219	048235	Supporto getti inferiore	Jets support; lower	
220	048931	Parzializzatore	Flow reducer	
221	048979	Anello seger	C-Clamp	
222	048236	Guarnizione	Gasket	
223	048237	Ghiera	Ring nut	
224	048401	Mozzo	Hub	

Da Ser.Nr./From Ser.nr.: /222....

LAVASTOVIGLIE CAPPOTTINA LS 10/14 HOOD TYPE DISHWASHER LS 10/14				Grassetto = variazioni Bold Print = changes
Pos.	Cod.ric. Part No.	Descrizione	Description	Note / Notes
225	0L0597	Assieme getto lavaggio	Washing arm assembly	
226	048632	Rondella di fermo	Lock washer	
227	048716	Getto risciacquo	Rinse jet	Up to Ser. Nr.: 938
227	0L2095	Getto risciacquo	Rinse jet	From Ser. Nr.: 939
228	048714	Tappo	Plug	Up to Ser. Nr.: 938
229	048290	Perno; per getti risciaquo	Pin; for rinse jets	
230	048231	Tappo	Plug	
231	048230	Guarnizione	Gasket	
232	049600	Supporto scarico	Support; drain	
233	048229	Guarnizione	Gasket	
234	048250	Troppo pieno	Overflow pipe	a,b,c,d,e,f,g,h,i,l,m,n,o,q,s,t,v,z,a1 .j
234	049140	Troppo pieno	Overflow pipe	p,r,u - From ser. no.: 241
236	047555	Tappo	Plug	p,r,u - From ser. no.: 241
238	049831	Tubo di scarico; per pompa	Drain pipe; for drain pump	p,r,u - From ser. no.: 241
239	046878	Fascetta 38-50	Hose clamp 38-50	
240	048844	Pompa di scarico 50HZ	Drain pump	p,r,u - From ser. no.: 241 Up to Ser. nr.: 518
240	0L0690	Pompa di scarico 50HZ	Drain pump	p,r,u - From Ser. nr.: 519
241	048328	Tubo di scarico	Drain pipe	p,r,u - From ser. no.: 241
242	048853	Nasello di sfiato	Spigot; air relief	
243	068642	O Ring	O Ring	
244	049268	Dado; M14x1,5	Nut; M14x1,5	
246	049436	Dado; M20X1,5	Nut; M20x1,5	
247	046799	O ring	O ring	
248	049634	Supporto getti superiore	Jets support; upper	Up to Ser. nr.: 619
248	0L0051	Supporto getti superiore	Jets support; upper	From Ser. nr.: 620
249	049849	Tappo ingresso det.	Plug inlet det.	
		Pagina 4: Componenti idraulici (solo per w, x)	Page 4: Hydraulic components (just for w, x)	ill: ill. 631002p3
201A	048308	Trappola d'aria	Air trap	
202A	068642	OR 3062	O Ring 3062	
203A	046946	Fascetta 8-12/7,5	Hose clamp 8-12/7,5	
204A	048883	Tubo Gomma 5x12	Hose	
205A	0L0564	Pompa Lavaggio	Wash pump	w
205A	0L0565	Pompa Lavaggio	Wash pump	x
206A	047578	Fascetta 25-40	Hose clamp 25-40	
208A	046853	Fascetta 60-80	Hose clamp 60-80	
209A	049268	Dado; M 14x1,5	Nut; M 14x1,5	
210A	0L0612	Manicotto	Hose	
211A	0L0193	Fascetta 40-60	Hose clamp 40-60	
212A	0L0185	O Ring	O Ring	
213A	0L0557	Ghiera	Ring nut	
214A	049593	O Ring 5,34x72,39	O Ring 5,34x72,39	

Da Ser.Nr./From Ser.nr.: /222....

LAVASTOVIGLIE CAPPOTTINA LS 10/14				Grassetto = variazioni
HOOD TYPE DISHWASHER LS 10/14				Bold Print = changes
Pos.	Cod.ric. Part No.	Descrizione	Description	Note / Notes
215A	0L0556	Tubo collegamento getti	Pipe; jets connection	
216A	0L0068	Manicotto	Hose	
217A	049810	Ass. filtro aspirazione	Suction filter	
218A	0L0067	Manicotto	Hose	
219A	048235	Supporto getti inferiore	Jets support; upper	
220A	048820	Parzializzatore	Flow reducer	
221A	048979	Anello seger	C-Clamp	
222A	048236	Guarnizione	Gasket	
223A	048237	Ghiera	Ring nut	
224A	048401	Mozzo	Hub	
225A	0L0598	Ass.getto lavaggio	Washing arm assembly	
226A	048632	Rondella di fermo	Lock washer	
227A	048716	Getto risciacquo	Rinse jet	
228A	048714	Tappo	Plug	
229A	048290	Perno; per getti risciacquo	Pin; for rinse jets	
230A	048231	Tappo	Plug	
231A	048230	Guarnizione	Gasket	
232A	0L0081	Supporto scarico	Support; drain	
233A	048229	Guarnizione	Gasket	
234A	048250	Tubo troppo pieno	Overflow pipe	
242A	048853	Nasello per vasca	Spigot for tank	
243A	068642	OR 3062	O Ring 3062	
244A	049268	Dado; M 14x1,5	Nut; M 14x1,5	
248A	0L0051	Supporto getti superiore	Jets support; upper	
249A	049849	Tappo	Plug	
		Pagina 5: Circuito idraulico	Page 5: Hydraulic circuit	ill. 641004p3NEW Not for "a1,w, x"
304	072393	Tubo gomma; L=2100 MM	Hose	
305	048531	Tubo gomma; L=1645 MM	Hose	
306	048126	Fascetta 13-20	Hose clamp 13-20	
307	049379	Tubo; WRC, L=1130 MM	Hose; WRC	g,p,r,u
307	048531	Tubo gomma; L=1645 MM	Hose	a,b,c,d,e,f,h,i,k,l,m,n,o,q,s,t,v,z,j
308	049459	Salto in aria	AIR GAP	a,b,c,d,e,f,h,i,k,l,m,n,o,q,s,t,v,z,j
308	049481	Salto in aria; WRC	AIR GAP	g,p,r,u
309	049828	Guarnizione	Gasket	
310	049480	Ghiera	Ring nut	
311	047578	Fascetta 26-38	Hose clamp 26-38	
312	049287	Tubo; D 25, L=430 MM	Hose; diam 25	
313	049987	Boiler	Boiler	a,b,c,d,e,f,g,h,i,k,l,m,n,o,q,r,s,t,v - Up to ser. nr. 322
313	0L0346	Boiler	Boiler	a,b,c,d,e,f,g,h,i,k,l,m,n,o,q,r,s,t,v,j From ser. nr. 323 Up to Ser. Nr.: 838

Da Ser.Nr./From Ser.nr.: /222....

LAVASTOVIGLIE CAPPOTTINA LS 10/14 HOOD TYPE DISHWASHER LS 10/14				Grassetto = variazioni Bold Print = changes
Pos.	Cod.ric. Part No.	Descrizione	Description	Note / Notes
313	0L1928	Boiler	Boiler	a,b,c,d,e,f,g,h,i,k,l,m,n,o,q,r,s,t,v,j From ser. nr. 839
313	0L0028	Boiler	Boiler	p,u,z - Up to ser. nr. 322
313	0L0347	Boiler	Boiler	p,u,z - From Ser. nr.: 323 Up to Ser. Nr.: 838
313	0L1951	Boiler	Boiler	p,u,z - From Ser. Nr.: 839
314	049460	O ring	O Ring	
315	048436	Fascetta 226-256	Hose clamp 226-256	
316	049772	Fascetta Elastica	Hose clamp	Up to ser. nr.: 327
316	0L0367	Fascetta Cobra	Hose clamp	From ser. nr.: 328
317	049415	Coimbentazione boiler	Boylter insulation	
318	049599	Tubo	Hose	
327	049801	Iniettore detersivo, acciaio	Injection spigot. steel	g,i,r, p,u
328	049419	Tubo; interno, pompa det.	Hose; internal, det. pump	
329	049418	Tubo; interno, pompa brill.	Hose;internal, rin. aid pump	
330	049624	Pompa detersivo	Pump, detergent	g,i,r, p,u,v - Up to ser.: 521
330	0L0696	Pompa detersivo	Pump, detergent	g,i,r, p,u,v - From ser.: 522
331	049625	Pompa brillantante	Pump, rinse aid	Up to ser. nr.: 521
331	049625	Pompa brillantante	Pump, rinse aid	From ser. nr.: 522
332	049356	Filtro	Filter	
333	049359	Tubo aspirazione; flessibile	Suction hose; flexible	
334	049360	Tubo mandata; rigido	Delivery hose; rigid	
335	049628	Trapola d'aria;boiler	Air trap;boiler	
336	049289	Raccordo 3 vie; D 27-12	Connection 3 way; diam 27-12	Up to ser. nr.: 327
336	0L0365	Raccordo 3 vie; D 27-12	Connection 3 ways; D 27-12	From ser. nr.: 328
337	049773	Tubo	Hose	
338	049310	Pompa risciacquo	Rinse pump	a,b,c,d,f,g,h,i,k,l,m,n,o,p,q,s,t,u,v, z - 50Hz - Up to ser. nr.: 607
338	0L1079	Pompa risciacquo	Rinse pump	a,b,c,d,f,g,h,i, k,l,m,n,o,p,q,s,t,u,v,z,j 50Hz - From ser. nr.: 608
338	049612	Pompa risciacquo; 230V 1x 60Hz	Rinse pump; 230V 1x 60Hz	e - Up to ser. nr.: 607
338	0L1100	Pompa risciacquo; 230V 1x 60Hz	Rinse pump; 230V 1x 60Hz	e - From ser. nr.: 608
339	048816	Tubo; dritto+90 GR, 2,1m	Pipe; straight + 90 degr, 2,1m	a,b,c,d,e,f,h,i,k,l,m,n,o,q,s,t,v,z,j Up to Ser. Nr.: 840
339	0L1887	Tubo; dritto+90 GR, 2,1m	Pipe; straight + 90 degr, 2,1m	a,b,c,d,e,f,h,i,k,l,m,n,o,q,s,t,v,z,j From Ser. Nr.: 841
339	049378	Tubo; WRC, dritto+90 GR, 2,1m	Pipe; straight + 90 degr, 2,1m,wrc	g,p,r,u
340	049201	Guarnizione; D 3/4	Gasket; diam 3/4	Up to Ser. Nr.: 840
340	0L1945	Guarnizione; D 3/4	Gasket; diam 3/4	From Ser. Nr.: 841
341	048746	Filtro	Filter	Up to ser. nr.: 429
341	048834	Filtro	Filter	From ser. nr.: 430
342	049626	Elettrovalvola; 10 L/min	Electric valve; 10 L/min	a,b,c,d,e,h,i,k,l,m,n,o,q,s,t,v,z Up to ser. nr.: 429
342	0L0568	Elettrovalvola; 10 L/min	Electric valve; 10 L/min	a,b,c,d,e,h,i,k,l,m,n,o,q,s,t,v,z,j From ser. nr.: 430

Da Ser.Nr./From Ser.nr.: /222....

LAVASTOVIGLIE CAPPOTTINA LS 10/14				Grassetto = variazioni
HOOD TYPE DISHWASHER LS 10/14				Bold Print = changes
Pos.	Cod.ric. Part No.	Descrizione	Description	Note / Notes
342	049452	Elettrovalvola; 5,5 L/min	Electric valve; 5,5 L/min	g,p,r,u - Up to ser. nr.: 429
342	0L0567	Elettrovalvola; 5,5 L/min	Electric valve; 5,5 L/min	g,p,r,u - From ser. nr.: 430
343	083406	Condensatore per pompa risc.	Rinse pump capacitor	5.0 µF
344	0L0052	Raccordo portagomma	Connection	From Ser. nr.: 620
345	049628	Trappola	Trap	
346	049649	Ass.tubo collegamento	Hose	f - Up to ser. nr.: 429
347	049510	Nipplo ottone 3/4	Nipple	f - Up to ser. nr.: 429
348	049508	Portagomma; Ottone	pipe nipple	f - Up to ser. nr.: 429
348	0L0477	Portagomma; Ottone	pipe nipple	f - From ser. nr.: 430
349	049650	Parzializzatore; 10L/min	Flow reducer	f
350	049509	Elettrovalvola	Electric valve	f - Up to ser. nr.: 429
350	0L0569	Elettrovalvola	Electric valve	f - From ser. nr.: 430
351	049652	Raccordo	Connection	
352	049508	Portagomma; Ottone	pipe nipple	f - Up to ser. nr.: 429
353	0L1115	Tubo 12x19,5 WRC	Hose 12x19,5 WRC	From Ser. nr.: 620
354	049888	Fascetta	Hose clamp	From Ser. nr.: 620
355	046799	O Ring	O Ring	From Ser. nr.: 620
356	049436	Dado; M20X1,5	Nut; M20X1,5	From Ser. nr.: 620
385	0L0479	Nipplo ottone 3/4"- 3/8"	Brass nipple 3/4"- 3/8"	f - From ser. nr.: 430
		Pagina 6: Circuito idraulico / Press. (solo per "w, x")	Page 6: Hydraulic circuit / Pres. (only for "w, x")	ill. 631002p5new
404A	046799	O Ring	O Ring	
405A	049436	Dado; M20x1,5	Nut; M20x1,5	
407A	048222	Fascetta 210-230/12	Hose clamp 210-230/12	
408A	048447	Coibentazione per boiler	Insulation; for boiler	
409A	0L0284	Boiler a pressione	Boiler	
423A	0L0052	Raccordo portagomma	Connection	
424A	048126	Fascetta a vite 12 -22	Hose clamp 12 -22	
425A	048531	Tubo EPDM 12x19.5	Hose	
426A	0L0051	Supporto getti superiore	Jets support; upper	
432A	048853	Nasello per vasca	Spigot for tank	
439A	048816	Tubo di alimentazione	Feeder pipe	
440A	046925	Guarnizione	Gasket; diam 3/4	
441A	048834	Filtro	Filter	
442A	0L0566	Elettrovalvola, 20 l/min	El.valve; 20 l/min	
443A	068642	OR 3062	O Ring 3062	
444A	049268	Dado; M 14x1,5	Nut; M 14x1,5	
445A	0L0094	Dosatore idraulico	Dispenser; for rinse aid	
449A	049849	Tappo	Plug	
450A	048308	Trappola d'aria per pressost.	Air trap	
451A	068642	OR 2062x15.54	O Ring	
452A	049268	Dado M14x1.5	Nut; M14x1,5	

LAVASTOVIGLIE CAPPOTTINA LS 10/14 HOOD TYPE DISHWASHER LS 10/14				Grassetto = variazioni Bold Print = changes
Pos.	Cod.ric. Part No.	Descrizione	Description	Note / Notes
464A	048883	Tubo 5x12	Hose 5x12	Up to Ser. nr.: 006
464A	049904	Tubo	Hose	From Ser. nr.: 007
465A	049620	Pressostato	Pressure switch	
466A	048195	Raccordo 3 vie	Connection 3 way; diam 12	
467A	049332	Valvola DVGW	Solenoid valve	
470A	049379	Tubo gom. 11.5X19.5 WRC	Hose; WRC	
474A	046946	Fasc. Torro W2 8-12/7,5 IVP	Hose clamp 8-12	
475A	048883	Tubo gomma 5X12	Hose; 5x12	
		Pagina 7: Circuito idraulico (per Ecolab Francia)	Page 7: Hydraulic circuit (for Ecolab France)	ill. 641004p3NEW_ecolab only for "a1"
304a	072393	Tubo gomma; L=2100 MM	Hose	
305a	048531	Tubo gomma; L=1645 MM	Hose	
306a	048126	Fascetta 13-20	Hose clamp 13-20	
307a	048531	Tubo gomma; L=1645 MM	Hose	
308a	049459	Salto in aria	AIR GAP	
309a	049828	Guarnizione	Gasket	
310a	049480	Ghiera	Ring nut	
311a	047578	Fascetta 26-38	Hose clamp 26-38	
312a	049287	Tubo; D 25, L=430 MM	Hose; diam 25	
313a	0L0346	Boiler	Boiler	Up to Ser. Nr.: 841
313a	0L1928	Boiler	Boiler	From Ser. Nr.: 842
314a	049460	O ring	O Ring	
315a	048436	Fascetta 226-256	Hose clamp 226-256	
316a	0L0367	Fascetta Cobra	Hose clamp	
317a	049415	Coibentazione boiler	Boylter insulation	
318a	049599	Tubo	Hose	
319a	0L1075	Raccordo boiler	Boiler connection	
320a	0L1071	Valvola di non ritorno	No backflow valve	
321a	0L1072	Raccordo a 90 gradi	90 degrees connection	
322a	0L1073	Ghiera 1/8"	Ring nut 1/8"	
323a	0L1077	Sensore detergente	Detergent sensor	
324a	0L1078	Prolunga cavo sensore detergente	Detergent sensor cable extension	
325a	0L1081	Ghiera PG16	Ring nut PG16	
326a	0L1080	Pressacavo PG16	Cable holder PG16	
327a	0L1089	Raccordo a "T" 3/8 G	T connection 3/8 G	
328a	049474	Nipplo 3/8" - 3/8"	Niple 3/8" - 3/8"	
329a	0L1084	Raccordo 3/4" - 3/4"	Connection 3/4" - 3/4"	
330a	0E5056	Dado 3/4"	Nut 3/4"	
332a	0L2053	Tubo di raccordo	Connection pipe	L=1000 mm
333a	083406	Condensatore per pompa risc.	Rinse pump capacitor	
334a	0L1079	Pompa risciacquo	Rinse pump	50Hz
335a	049628	Trapola d'aria;boiler	Air trap;boiler	

Da Ser.Nr./From Ser.nr.: /222....

LAVASTOVIGLIE CAPPOTTINA LS 10/14 HOOD TYPE DISHWASHER LS 10/14				Grassetto = variazioni Bold Print = changes
Pos.	Cod.ric. Part No.	Descrizione	Description	Note / Notes
336a	0L0365	Raccordo 3 vie; D 27-12	Connection 3 ways; D 27-12	
337a	049773	Tubo	Hose	
339a	049540	Tubo alimentazione	Feeding pipe	
340a	049201	Guarnizione; D 3/4	Gasket; diam 3/4	Up to Ser. Nr.: 840
340a	0L1945	Guarnizione; D 3/4	Gasket; diam 3/4	From Ser. Nr.: 841
341a	048834	Filtro	Filter	
342a	0L0568	Elettrovalvola; 10 L/min	Electric valve; 10 L/min	
343a	0L1076	Iniettore detergente liquido	Liquid detergent injection	
344a	0L1085	Iniettore detergente solido	Solid detergent injection	
345a	0L1088	Rondella in gomma	Rubber washer	
346a	0L1087	Rondella in acciaio	Steel washer	
347a	0L1086	Dado 1/2" G	Nut 1/2" G	
348a	0E3058	Pressacavo PG13.5	Cable holder PG13.5	
349a	0L1082	Tubo flessibile 6x12	Flexible hose 6x12	L= 290 mm
350a	0L1074	Tubo flessibile 1/8"x0.75	Flexible hose 1/8"x0.75	L= 300 mm
351a	0L1145	Nipplo 3/4	Niple 3/4	From Ser. nr.: 621
352a	048245	Guarnizione	Gasket	From Ser. nr.: 621
353a	0L1086	Dado 1/2" G	Nut 1/2" G	From Ser. nr.: 621
		Pagina 8: Componenti elettrici	Page 8: Electrical components	ill. 641004p4
427	0L1093	Cablaggio aggiuntivo	Additional wiring harness	a1 - Ecotemp Francia
428	048491	Resistenza; 230V, 3KW	Heating element; 230v, 3KW	Up to Ser. nr.: 823
428	0L1870	Resistenza; 230V, 3KW	Heating element; 230v, 3KW	From Ser. nr.: 824
429	049997	Resistenza; 230V, 10,5KW	Heating element; 230v, 10,5KW	a,c,d,f,g,h,k,m,r,v,a1,j Up to Ser. Nr.: 840
429	0L1772	Resistenza; 230V, 10,5KW	Heating element; 230v, 10,5KW	a,c,d,f,g,h,k,m,r,v,a1,j From Ser. Nr.: 841
429	049992	Resistenza; 230V, 9,0KW	Heating element; 230v, 9,0KW	e,i,l,o,q,t,z,w,x - Up to Ser.nr.: 820
429	0L1630	Resistenza; 230V, 9,0KW	Heating element; 230v, 9,0KW	e,i,l,o,q,t,z,w,x - From Ser.nr.: 821
429	049992	Resistenza; 230V, 9,0KW	Heating element; 230v, 9,0KW	u,p - Up to Ser.nr.: 750
429	0L1630	Resistenza; 230V, 9,0KW	Heating element; 230v, 9,0KW	u,p - From Ser. nr.: 751
429	049898	Resistenza; 230V, 6,0KW	Heating element; 230v, 6,0KW	b,s
429	049997	Resistenza; 230V, 10,5KW	Heating element; 230v, 10,5KW	n
430	048429	Squadretta	Bracket	
431	006879	Contattore; 230V, 50HZ, 32A	Contactor; 230V, 50Hz, 32A	only for p,u,z,a1
432	049620	Pressostato	Pressure switch	
433	049303	Filtro RFI; trifase	RFI filter; three phase	Not for "w, x"
434	049618	Morsettiera	Junction box	Up to Ser. 244
434	0L0111	Morsettiera Princ.	Junction box	From Ser. 245
435	048825	Contattore; 230V, 50HZ, 25A	Contactor; 230V, 50Hz, 25A	not for e - 50 HZ Up to ser. nr.: 317
435	0L0285	Contattore; 230V, 50 HZ, 25A	Contactor; 230V, 50 Hz, 25A	not for e, x - 50 HZ From ser. nr.: 318
435	048736	Contattore; 230V, 60HZ, 25A	Contactor; 230V, 60Hz, 25A	e, x - 60 HZ - Up to ser. nr.: 317

Da Ser.Nr./From Ser.nr.: /222....

LAVASTOVIGLIE CAPPOTTINA LS 10/14				Grassetto = variazioni
HOOD TYPE DISHWASHER LS 10/14				Bold Print = changes
Pos.	Cod.ric. Part No.	Descrizione	Description	Note / Notes
435	0L0286	Contattore;230v, 60HZ, 25A	Contactore;230v, 60HZ, 25A	e, x - 60 HZ - From Ser. nr.: 318
436	049998	Interfaccia utente	User interface	Up to ser. nr.: 421
436	0L0549	Interfaccia utente	User interface	Not for "i,v" - From ser.nr.: 422
436	0L0708	Interfaccia utente	User interface	Up to ser. nr.: 523 b,i,m,n,o,p,q,s,t,v,u,z
436	0L1237	Interfaccia utente	User interface	Up to Ser. Nr. 622 b,m,n,o,p,q,s,t,u,z
436	0L0710	Interfaccia utente	User interface	From Ser. Nr. 623 Up to Ser. Nr. 742
436	0L1235	Interfaccia utente	User interface	Only for "w, x"
436	0L0548	Interfaccia utente	User interface	Up to Ser. Nr. 622 Only for "w, x" - From Ser. Nr. 623
436	0L0709	Interfaccia utente	User interface	Only for "i,v" - From ser. nr.: 422 Up to ser. nr.: 523
436	0L1566	Interfaccia utente	User interface	b,i,m,n,o,p,q,s,t,v,u,z: From Ser. Nr. 630 Up to Ser. Nr. 742
437	0L1412	Scheda madre	Main board	From Ser. Nr. 743
437	0L1811	Scheda madre	Main board	Not for "w, x" - Up to Ser. Nr.: 820
437	0L1410	Scheda madre	Main board	Not for "w, x" - From Ser. Nr.: 821
437	0L1810	Scheda madre	Main board	w, x - Up to Ser. Nr.: 820
438	067898	OR 2025	O-Ring 2025	w, x - From Ser. Nr.: 821
438	046376	OR 2027	O-Ring 2027	Up to ser. nr. 322
439	049884	Sonda di temperatura	Temp. probe	From ser. nr. 323
439	049643	Sonda di temperatura	Temp. probe	Up to ser. nr. 322
440	0E5993	Fascetta elastica 7,8-8,3	Hose clamp 7,8-8,3	From ser. nr. 323
441	067899	Premistoppa per termostato	Stuffing box	Up to ser. nr. 322
441	0L0280	Premistoppa per termostato	Stuffing box	From ser. nr. 323
442	049909	OR 6225	O-Ring	Up to ser. nr.: 305
442	0E5037	OR 56.52X5.33	O-Ring	From Ser. nr.: 306
443	046376	OR 2037	O Ring	
444	049643	Sonda di temperatura vasca	Temp. probe	
445	049580	Supporto; sonda di temp.	Suppor; temp.sound	Up to ser. nr.: 327
445	0L0366	Supporto sensore temp.	Support; sensor	From ser. nr.: 328
446	002670	Prolunga pulsante	Extension	Only for "w, x"
447	0L1568	Copertura interfaccia utente	User interface cover	From Ser. Nr. 743
490	049844	Cablaggio	Wiring harness	Not for "w,x"
490	0L0466	Cablaggio	Wiring harness	From Ser. Nr. 743
490	0L0467	Cablaggio	Wiring harness	Up to ser. nr.: 305
490	0L0471	Cablaggio	Wiring harness	w, x
490	0L0605	Cablaggio aggiuntivo	Additional wiring harness	b,l,q - From ser. nr.: 306
492	0L0603	Elettromagnete	Electromagnet	a,c,d,e,f,g,h,k,r,i,v,m,n,o,p,s,t,a1,j - From ser. nr.: 306
				p,u,z
				j
				j

LAVASTOVIGLIE CAPPOTTINA LS 10/14 HOOD TYPE DISHWASHER LS 10/14				Grassetto = variazioni Bold Print = changes
Pos.	Cod.ric. Part No.	Descrizione	Description	Note / Notes
493	0L0540	Alimentatore 254V	254V	j
		Pagina 9: Componenti AU	Page 9: AU components	ill. 641004p5 (Up to Ser. nr. 406)
501	049805	Guida; superiore	Guide; upper	d,v - Up to ser. nr.: 406
502	049619	Micro; fine corsa	Micro switch	d,v - Up to ser. nr.: 406
503	049592	Supporto; sicurezza	Suppor; safety	d,v - Up to ser. nr.: 406
504	049826	Azionatore; fine corsa; inferiore	Driving gear; lower	d,v - Up to ser. nr.: 406
505	049829	Cremagliera	Rolling rack	d,v - Up to ser. nr.: 406
506	049589	Boccola	Bush	d,v - Up to ser. nr.: 406
507	049590	Azionatore; sicurezza	Driving gear;safety	d,v - Up to ser. nr.: 406
508	049848	Asta di sollevamento	Lifting rod	d,v - Up to ser. nr.: 406
509	048780	Catena	Chain	d,v - Up to ser. nr.: 406
510	048760	Motoriduttore	Gear motor	d,v - Up to ser. nr.: 406
511	049581	Ingranaggio	Gear	d,v - Up to ser. nr.: 406
512	049617	Trasformatore	Transformer	d,v - Up to ser. nr.: 406
513	049770	Guida cremaliera	Rolling rack guide	d,v - Up to ser. nr.: 406
516	049811	Micro; fine corsa	Micro switch	d,v - Up to ser. nr.: 406
517	049827	Azionatore; fine corsa; superiore	Driving gear; upper	d,v - Up to ser. nr.: 406
		Pagina 10: Componenti AU	Page 10: AU components	ill. 641004p5a
601	049805	Guida; superiore	Guide; upper	d,v - From ser. nr.: 407
602	049619	Micro; fine corsa	Micro switch	d,v - From ser. nr.: 407
603	049592	Supporto; sicurezza	Suppor; safety	d,v - From ser. nr.: 407
605	049829	Cremagliera	Rolling rack	d,v - From ser. nr.: 407
606	049589	Boccola	Bush	d,v - From ser. nr.: 407
607	049590	Azionatore; sicurezza	Driving gear;safety	d,v - From ser. nr.: 407
608	049848	Asta di sollevamento	Lifting rod	d,v - From ser. nr.: 407
609	048780	Catena	Chain	d,v - From ser. nr.: 407
610	048760	Motoriduttore	Gear motor	d,v - From ser. nr.: 407 d,v - Up to ser. nr.: 513
610	0L0665	Motoriduttore	Gear motor	d,v - From ser. nr.: 514
611	049581	Ingranaggio	Gear	d,v - From ser. nr.: 407
612	0L0458	Trasformatore	Transformer	d,v - From ser. nr.: 407 Up to ser. nr.: 607
613	049770	Guida cremaliera	Rolling rack guide	d,v - From ser. nr.: 407
616	0L0456	Micro; fine corsa	Micro switch	d,v - From ser. nr.: 407
618	0L0457	Azionatore; fine corsa;superiore	Driving gear; upper	d,v - From ser. nr.: 407
619	049826	Azionatore; fine corsa; inferiore	Driving gear; lower	d,v - From ser. nr.: 407
620	0L0667	Vite fissaggio motoriduttore	Gear motor fastening screw	d,v - From ser. nr.: 514

Da Ser.Nr./From Ser.nr.: /222....