

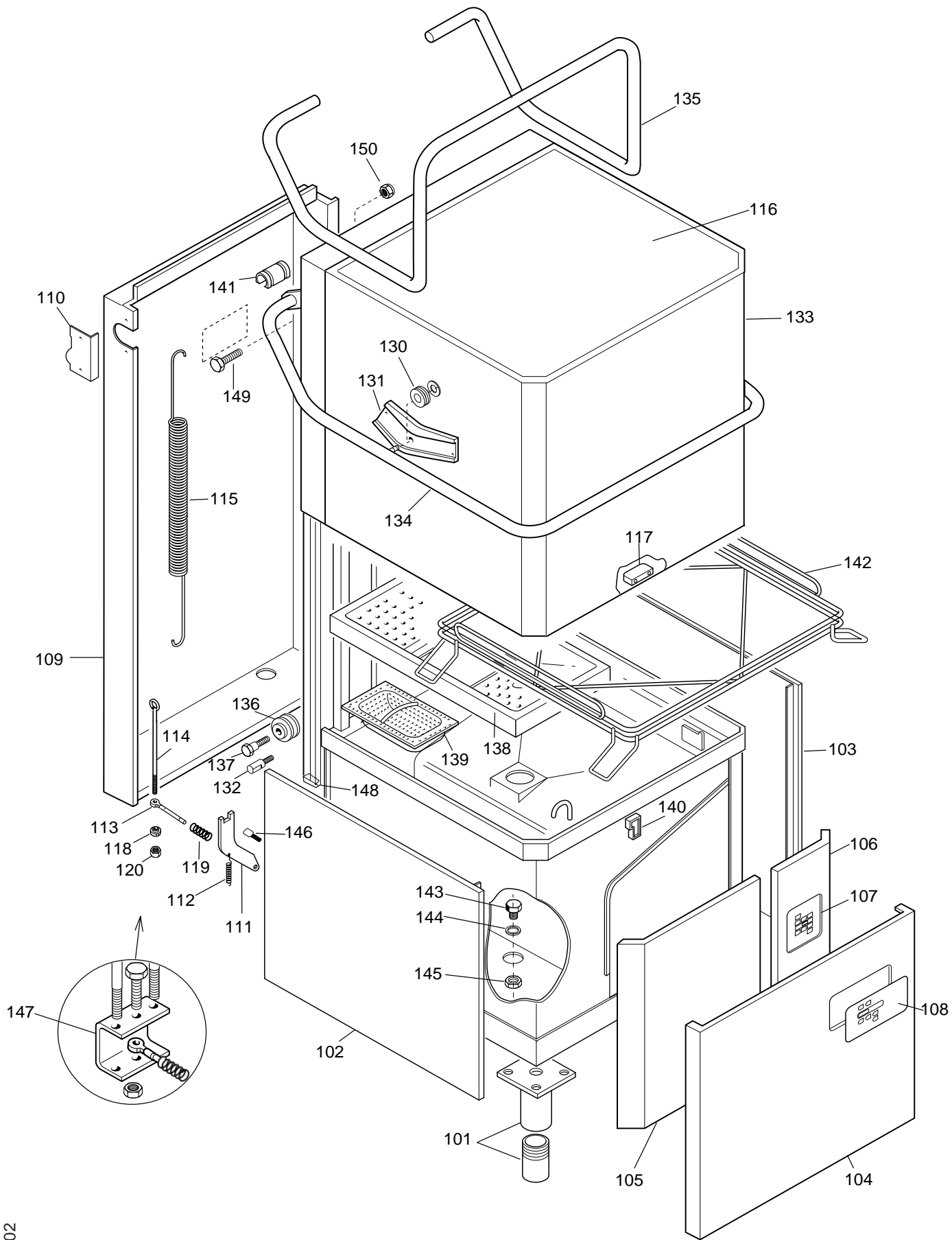
LAVASTOVIGLIE A CAPOTTINA da 1000 / 1200 piatti/h
HOOD TYPE DISHWASHER up to 1000 / 1200 dishes/h

LS 10 / LS 12

Code	Type	Ref.	Page	Code	Type	Ref.	Page
504100	LS10	a	2 3 4 5	504128	LS12CW	q	2 3 4 5
504102	LS10UK/DP	b	2 3 4 5	504129	HT1200DEK	z	2 3 4 5
504104	ECOTEMP12	w	2 3 4 5	504153	LS12HD	r	2 3 4 5
504105	LS10/60Hz	c	2 3 4 5	504161	LS12UK/3CW	s	2 3 4 5
504107	Ls10CW	d	2 3 4 5	504163	LS12AU	t	2 3 4 5 6
504108	LS10INS	e	2 3 4 5	504164	LS12UK/DPCW	u	2 3 4 5
504109	HT1200INS DEK	y	2 3 4 5	504165	ECOTEMP12SW	x	2 3 4 5
504111	LS10/9SWEDISH	f	2 3 4 5	504178	LS12CW INS	v	2 3 4 5
504114	LS10/DP	g	2 3 4 5	504190	LS12 ASIA	G	2 3 4 5
504115	LS10HD	h	2 3 4 5	698050	HT1200	A	2 3 4 5
504118	LS10/UK/1	k	2 3 4 5	698051	HT1000	D	2 3 4 5
504119	LS10UK/3	l	2 3 4 5	698052	HT1000 INS	E	2 3 4 5
504120	LS12INS	m	2 3 4 5	698053	HT1200 INS	B	2 3 4 5
504121	LS12	n	2 3 4 5	698054	HT1000 DP	F	2 3 4 5
504122	LS12DP	o	2 3 4 5	698055	HT1200 DP	C	2 3 4 5
504125	LS12/60Hz	p	2 3 4 5				

Pag.	Indice
2	Vista generale
3	Componenti idraulici
4	Circuito idraulico
5	Componenti elettrici
6	Componenti AU
7-9	Lista ricambi

Index
Main view
Hydraulic components
Hydraulic circuit
Electrical components
AU components
Spare parts list



ill. 641002p1

LS_10 -12 \ Zan\ 641002

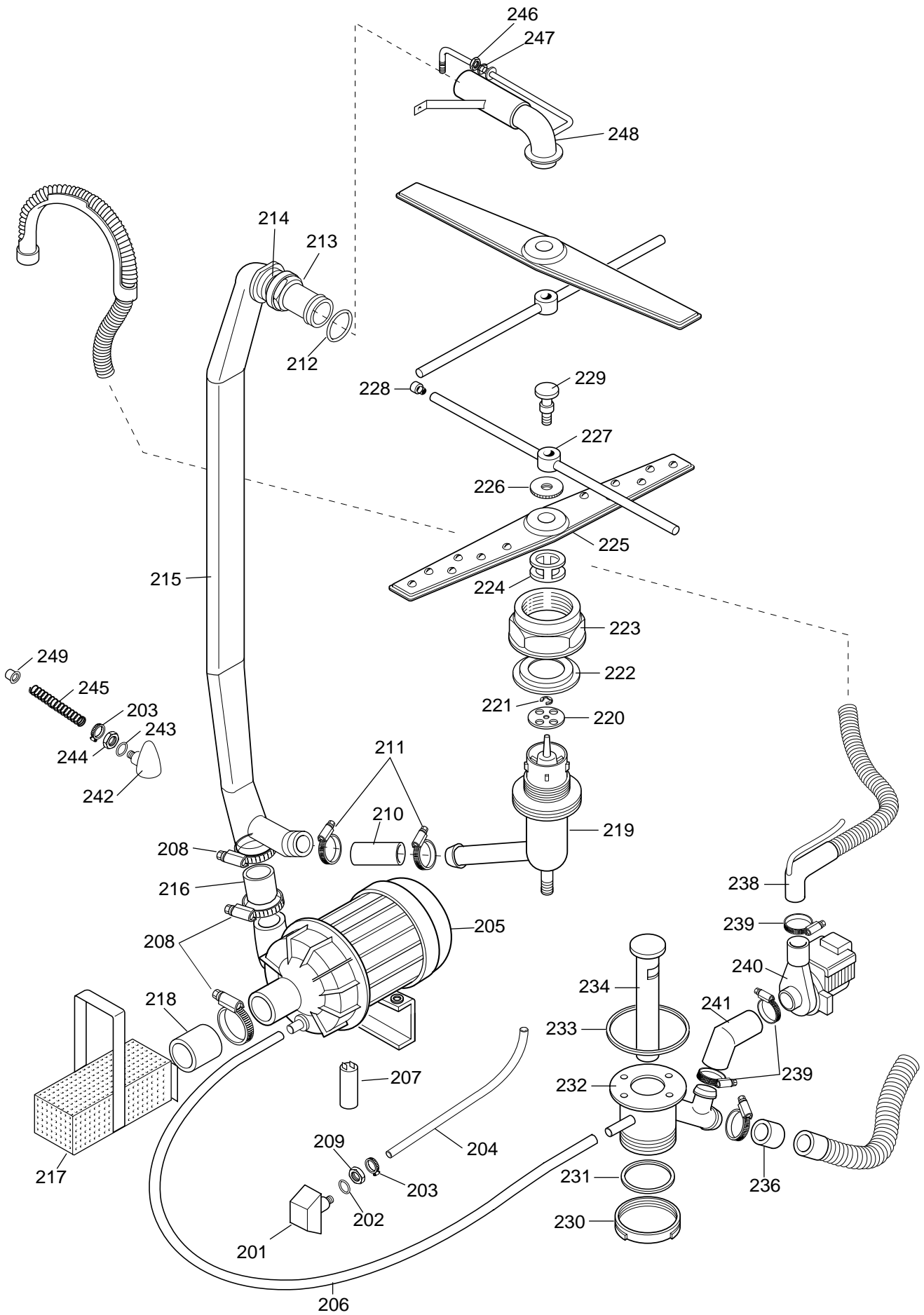
Da Ser. Nr. / From ser. nr.: /944

Page: 2

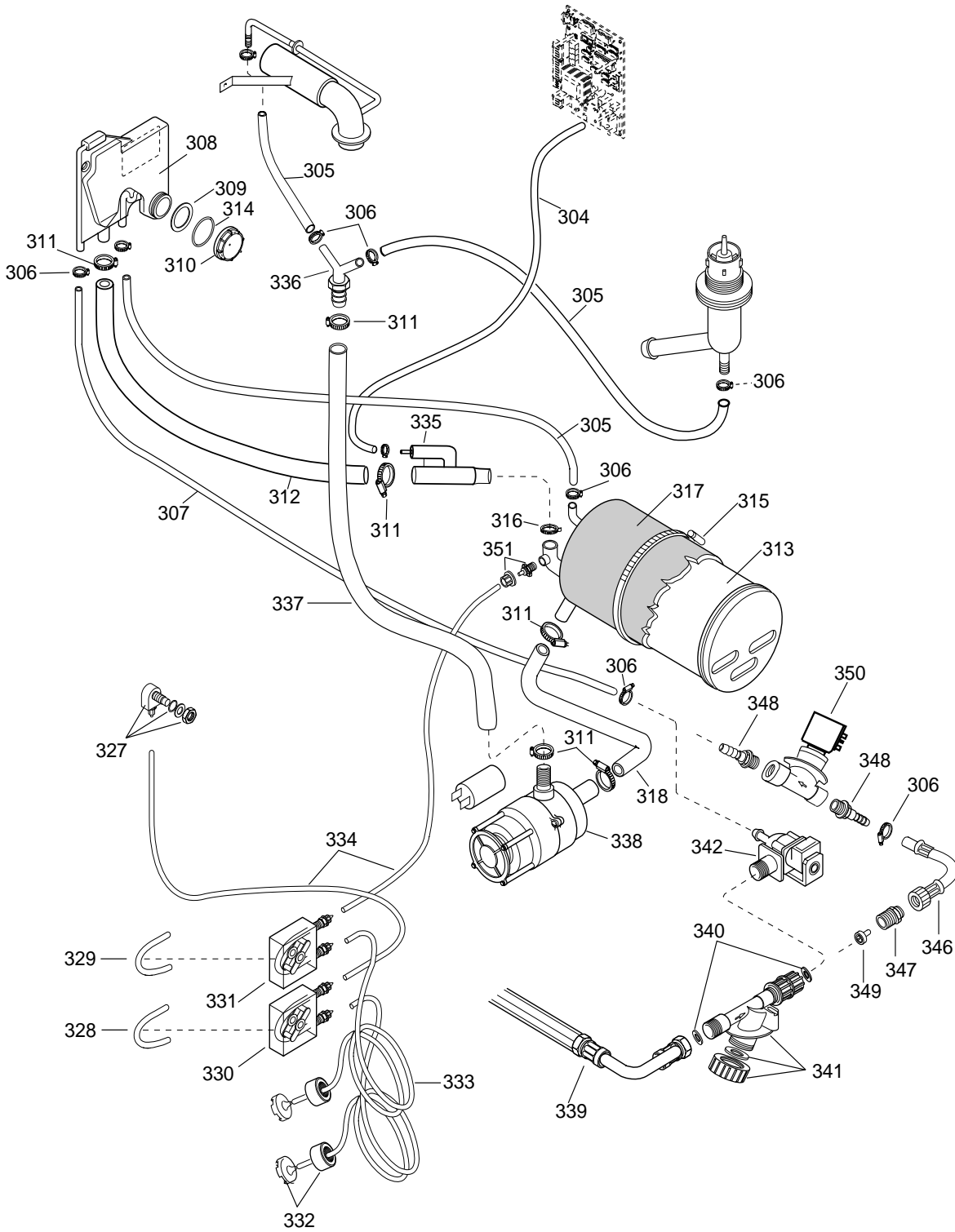
Ed.01-02

Doc. Nr.:

6-41 002

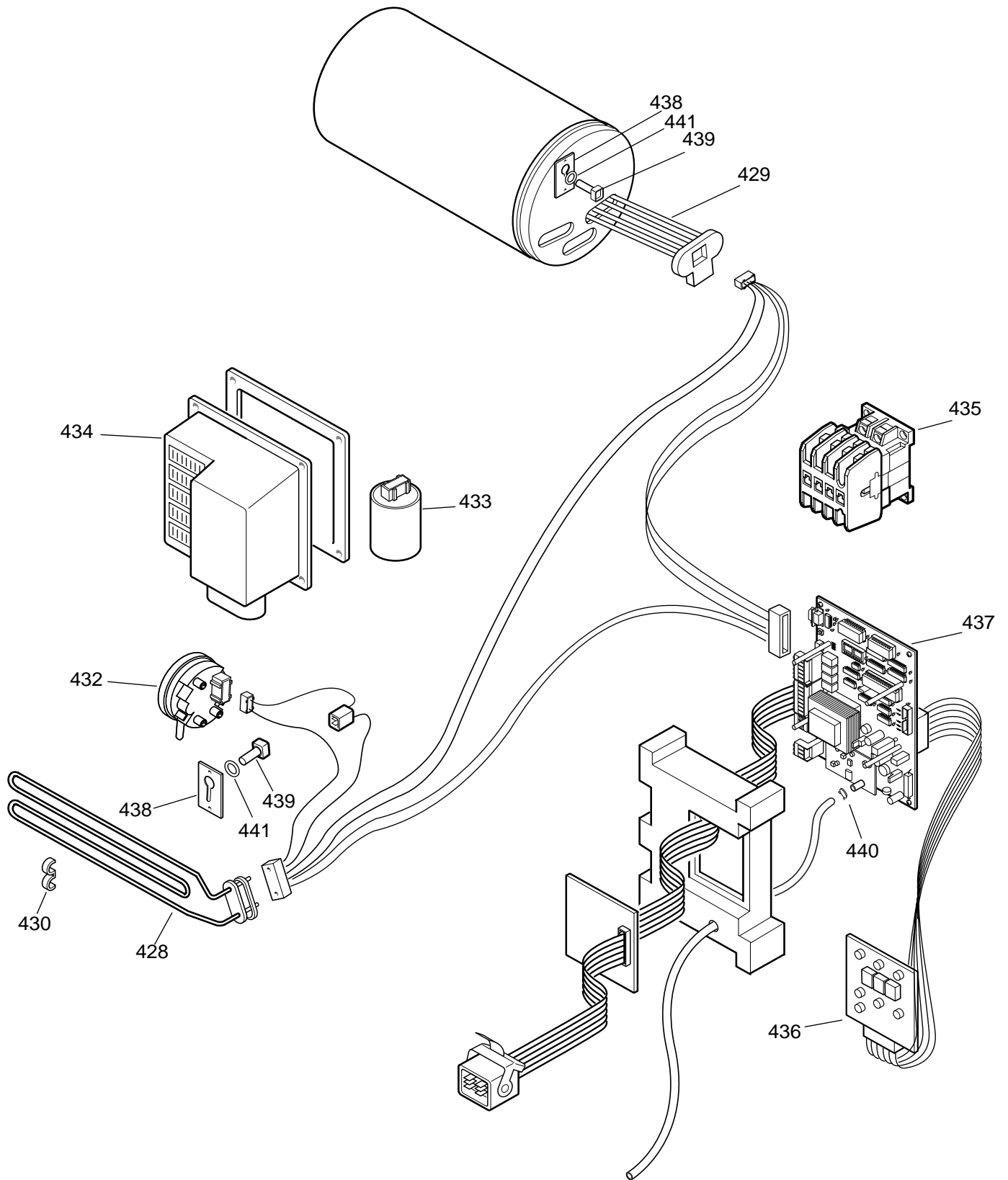


ill. 641002p2

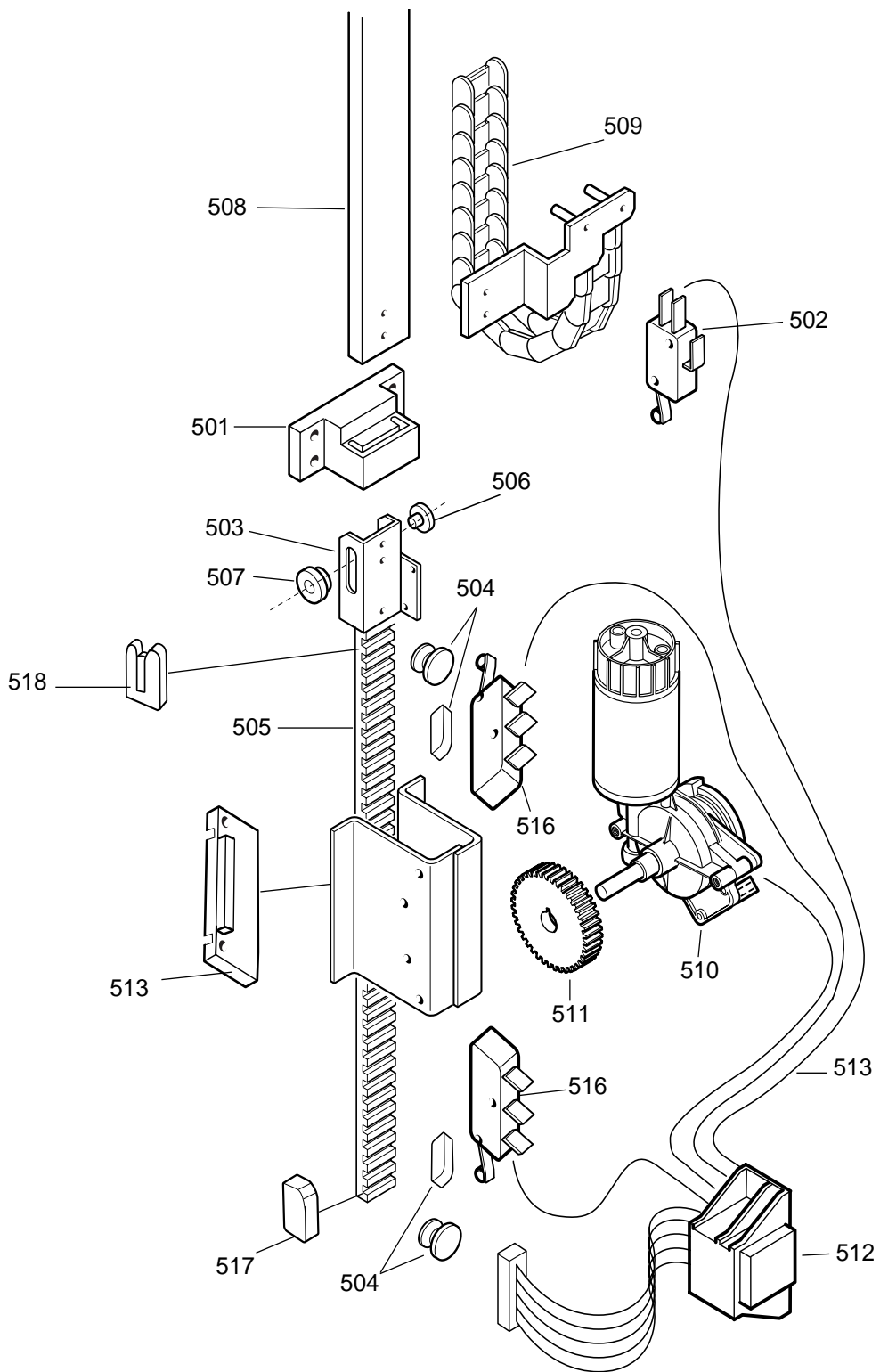


ill. 641002p3

Da Ser. Nr. / From ser. nr.: /944



ill. 641002p4



ill. 641002p5

Lavastoviglie a capottina da 1000 / 1200 piatti/h - LS 10/LS 12 - HT 1200
Hood type dishwasher up to 1000 / 1200 dishes/h - LS 10/LS 12 - HT 1000

Pos	Code	Descrizione	Description	Ref. / Notes
		Pagina 2: Vista generale	Page 2: Main view	ill: 641002p1
101	048579	Piede; compl.	Foot; compl.	
102	049743	Pannello laterale sx	Side panel, left	a,b,c,d,e,f,g,h,k,l,m,n,o,p,q r,s,t,u,v,y,z,A,B,C,D,E,F,G
102	049741	Pannello laterale sx	Side panel, left	w,x
103	049740	Pannello laterale dx	Side panel, right	w,x
103	049742	Pannello laterale dx	Side panel, right	a,b,c,d,e,f,g,h,k,l,m,n,o,p,q r,s,t,u,v,y,z,A,B,C,D,E,F,G
104	049566	Pannello frontale	Front panel	w,x,y,z,A,B,C,D,E,F, -Up to Ser: 113
104	049842	Pannello frontale	Front panel	y,z,A,B,C,D,E,F, - From Ser: 114
104	049646	Pannello frontale	Front panel	w,x From ser. 114
105	049565	Pannello frontale	Front panel	a,b,c,d,e,f,g,h,k,l,m,n,o,p,q, r,s,t,u,v,G
106	049564	Pannello comandi	Control panel	a,b,c,d,e,f,g,h,k,l,m,n,o,p,q r,s,t,u,v,G -Up to Ser: 113
106	049839	Pannello comandi	Control panel	a,b,c,d,e,f,g,h,k,l,m,n,o,p,q r,s,t,u,v,G - From Ser:114
107	049604	Membrana adesiva	Stick membrane	t
107	049605	Membrana adesiva	Stick membrane	a,b,c,d,e,f,g,h,k,l
107	049606	Membrana adesiva	Stick membrane	m,n,o,p,q,r,s,u,v,G
108	049610	Membrana adesiva	Stick membrane	w,x
108	049611	Membrana adesiva	Stick membrane	y,z
108	049607	Membrana adesiva	Stick membrane	D,E,F
108	049609	Membrana adesiva	Stick membrane	A,B,C
109	049570	Schienale	Back	b,k,l,s,u
109	049832	Schienale	Back	w,x
109	049569	Schienale	Back	a,c,d,e,f,g,h,m,n,o,p,q r,t,v,y,z,A,B,C,D,E,F,G
110	049735	Squadretta; sx	Plate; left	
110	049736	Squadretta; dx	Plate; right	
111	049578	Leva di sicurezza	Lever; safety	
112	049584	Molla per leva	Spring; lever	
113	049587	Perno per sicurezza	Pin; safety	a,b,c,d,f,g,h,k,l,n,o,p,q r,s,t,u,w,x,z,A,C,D,F,G
113	049591	Perno per sicurezza	Pin; safety	e,m,v,y,B;E
114	049583	Tendimolla	Spring stretcher	
115	049582	Molla	Spring	- Up to Ser: 137
115	049582	Molla	Spring	a,b,c,d,e,f,g,h,k,l,m,n,o,p,q r,s,u,v,w,x,y,z,A,B,C,D,E,F,G - From Ser: 137
115	514691700	Molla	Spring	t - From Ser: 137
116	049576	Coperchio	Cover	a,b,c,d,e,f,g,h,k,l,m,n,o,p,q r,s,t,u,v,A,B,C,D,E,F,G
117	049627	Magnete	Magnet	
118	049761	Boccola	Bush	
119	049585	Molla; sicurezza	Spring; safety	
120	0H2562	Dado M6	Nut M6	
130	049598	Rotella; maniglia	Roller; hendle	
131	049597	Guida; maniglia	Guide; handle	
132	048635	Perno	Pin	
133	049641	Cappotta	Hood	t
133	049636	Cappotta	Hood	e,m,v
133	049635	Cappotta	Hood	a,b,c,d,f,g,h,k,l,n,o,p,q,r,s,t, u,G
133	049640	Cappotta	Hood	B,E
133	049638	Cappotta	Hood	w,x,y,z,A,C,D,F,
134	049630	Maniglione; compl	Handle; compl.	a,b,c,d,e,f,g,h,k,l,m,n,o,p,q r,s,u,v,w,x,y,z,A,B,C,D,E,F,G
135	049631	Maniglione; compl	Handle; compl.	t

LS_10 -12 \ Zan\ 641002

Lavastoviglie a capottina da 1000 / 1200 piatti/h - LS 10/LS 12 - HT 1200
Hood type dishwasher up to 1000 / 1200 dishes/h - LS 10/LS 12 - HT 1000

Pos	Code	Descrizione	Description	Ref. / Notes
136	048657	Ruota	Wheel	
137	048656	Perno; ruota	Pin; wheel	
138	048251	Filtro piano	Filter plate	Up to ser. 113
138	049846	Filtro piano	Filter plate	From ser. 114
139	048252	Filtro; cestello	Filter; basket	
140	049621	Sensore	Sensor	
141	049594	Supporto	Support	
142	049629	Guida cesto; compl.	Guide; compl.	
143	049502	Tappo; M20X1,5	Plug; M20x1,5	
144	048245	Guarnizione	Gasket	
145	049436	Dado; M20X1,5	Nut; M20x1,5	
146	049586	Perno; leva	Pin; lever	
147	049579	Squadretta	Plate	e,m,v,B,E
148	048710	Paracolpi; inferiore	Shock absorber; lower	
149	0L0100	Vite	Screw	
150	0L0101	Dado	Nut	
		Pagina 3: Componenti idraulici	Page 3: Hydraulic components	ill: 641011p2
201	048308	Trapola d'aria	Air trap	
202	068642	O ring	O Ring	
203	046946	Fascetta 8-12	Hose clamp 8-12	
204	048883	Tubo; 5X12, L=1700 MM	Hose; 5x12	
205	048573	Pompa lavaggio; 220/240V 1X 50HZ	Wash pump; 220/240V 1X 50HZ	k - Up to ser. nr.:118
205	049774	Pompa lavaggio; 220/240V 1X 50HZ	Wash pump; 220/240V 1X 50HZ	k - From ser. nr.:119
205	048216	Pompa lavaggio; 230-400V 3X 50HZ	Wash pump; 230-400V 3X 50HZ	a,b,d,e,f,g,h,i,m,n,o,q,r,s,t, u,vw,x,y,z,A,B,C,D,E,F,G c,p
205	048501	Pompa lavaggio; 230-400V 3X 60HZ	Wash pump; 230-400V 3X 60HZ	
206	048531	Tubo gomma; L=1645 MM	Hose	
207	047744	Condensatore; 20mf	Capacitor; 20mf	k
208	046853	Fascetta 68-85	Hose clamp 68-85	
209	049268	Dado; M14X1,5	Nut; M14x1,5	
210	045768	Tubo; L=300 MM	Hose	
211	046855	Fascetta 50-65	Hose clamp 50-65	
212	068799	O Ring	O Ring	
213	049596	Ghiera	Ring nut	
214	049593	O Ring	O Ring	
215	049595	Tubo; collegamento getti	Pipe;jets connection	
216	045456	Tubo	Hose	
217	049633	Protezione pompa; compl.	Pomp protection;compl.	- Up to Ser: 139
217	049810	Protezione pompa; compl.	Pomp protection;compl.	- From Ser: 140
218	048242	Manicotto	Hose	
219	048235	Supporto getti inferiore	Jets support; lower	
220	048931	Parzializzatore	Flow reducer	
221	048979	Anello seger	C-Clamp	
222	048236	Guarnizione	Gasket	
223	048237	Ghiera	Ring nut	
224	048401	Mozzo	Hub	
225	048247	Getto lavaggio	Wash jet	
226	048632	Rondella di fermo	Lock washer	
227	048716	Getto risciacquo	Rinse jet	
228	048714	Tappo	Plug	
229	048290	Perno; per getti risciacquo	Pin; for rinse jets	
230	048231	Tappo	Plug	
231	048230	Guarnizione	Gasket	
232	049600	Supporto scarico	Support; drain	
233	048229	Guarnizione	Gasket	
234	049140	Troppo pieno	Overflow pipe	b,g,o,u,C,F
234	048250	Troppo pieno	Overflow pipe	a,c,d,e,f,h,k,l,m,n,p,q, r,s,t,v,w,x,y,z,A,B,D,E,G b,g,o,u,C,F
236	047555	Tappo	Plug	
238	048845	Tubo di scarico; per pompa	Drain pipe; for drain pump	

LS_10 -12 \ Zan\ 641002

Lavastoviglie a capottina da 1000 / 1200 piatti/h - LS 10/LS 12 - HT 1200
Hood type dishwasher up to 1000 / 1200 dishes/h - LS 10/LS 12 - HT 1000

Pos	Code	Descrizione	Description	Ref. / Notes
239	046878	Fascetta 38-50	Hose clamp 38-50	
240	048844	Pompa di scarico 50HZ	Drain pump;	b,g,o,u,C,F
241	048328	Tubo di scarico	Drain pipe	b,g,o,u,C,F
242	048853	Nasello di sfiato	Spigot; air relief	
243	068642	O Ring	O Ring	
244	049268	Dado; M14x1,5	Nut; M14x1,5	
245	049270	Molla di contenimento	Spring; bending protection	b,g,o,u,C,F
246	049436	Dado; M20X1,5	Nut; M20x1,5	
247	046799	O ring	O ring	
248	049634	Supporto getti superiore	Jets support; upper	
249	049849	Tappo ingresso det.	Plug inlet det.	a,c,d,e,f,h,k,l,m,n,p,q, r,s,t,v,w,x,y,z,A,B,D,E,G - From Ser: 043
		Pagina 4: Circuito idraulico	Page 4: Hydraulic circuit	ill: 641011p3
304	072393	Tubo gomma; L=2100 MM	Hose	
305	048531	Tubo gomma; L=1645 MM	Hose	
306	048126	FASCETTA 13-20	Hose clamp 13-20	
307	049379	Tubo; WRC, L=1130 MM	Hose; WRC	b,k,l,s,u
307	048531	Tubo gomma; L=1645 MM	Hose	a,c,d,e,f,g,h,m,n,o,p,q, r, t,v,w,y,x,z,A,B,C,D,E,F,G
308	049459	Salto in aria	AIR GAP	a,c,d,e,f,g,h,m,n,o,p,q, r, t,v,w,y,x,z,A,B,C,D,E,F,G
308	049481	Salto in aria; WRC	AIR GAP	b,k,l,s,u
309	046595	Guarnizione	Gasket	Up to Ser. 118
309	049828	Guarnizione	Gasket	From Ser. 119
310	049480	Ghiera	Ring nut	
311	047578	Fascetta 26-38	Hose clamp 26-38	
312	049287	Tubo; D 25, L=430 MM	Hose; diam 25	
313	049632	Boiler	Boyley	
314	049460	O ring	O Ring	
315	048436	Fascetta 226-256	Hose clamp 226-256	
316	049772	Fascetta	Hose clamp	- From Ser: 036...
317	049415	Coimbentazione boiler	Boyley insulation	
318	049599	Tubo	Hose	
327	049801	Iniettore detersivo, acciaio	Injection spigot. steel	
328	049419	Tubo; interno, pompa det.	Hose; internal, det. pump	
329	049418	Tubo; interno, pompa brill.	Hose;internal, rin. aid pump	
330	049624	Pompa detersivo	Pump, detergent	b,f,l,k,s,u,y,z
331	049625	Pompa brillantante	Pump, rinse aid	
332	049356	Filtro	Filter	
333	049359	Tubo aspirazione; flessibile	Suction hose; flexible	
334	049360	Tubo mandata; rigido	Delivery hose; rigid	
335	049628	Trapola d'aria;boiler	Air trap;boiler	
336	049289	Raccordo 3 vie; D 27-12	Connection 3 way; diam 27-12	
337	049773	Tubo	Hose	
338	049310	Pompa risciacquo	Rinse pump	a,b,d,e,f,g,h,k,l,m,n,o,q,r,s, t,u,v,w,y,x,z,A,B,C,D,E,F,G
338	049612	Pompa risciacquo; 230V 1x 60Hz	Rinse pump; 230V 1x 60Hz	c,p
339	048816	Tubo; dritto+90 GR, 2,1m	Pipe; straight + 90 degr, 2,1m	a,c,d,e,f,g,h,m,n,o,p,q, r, t,v,w,y,x,z,A,B,C,D,E,F,G
339	049378	Tubo; WRC, dritto+90 GR, 2,1m	Pipe; straight + 90 degr, 2,1m,wrc	b,k,l,s,u
340	049201	"Guarnizione; D 3/4""	Gasket; diam 3/4	
341	048746	Filtro	Filter	
342	049626	Elettrovalvola	Electric valve	a,c,d,e,f,g,h,m,n,o,p,q, t,v,w,y,x,z,A,B,C,D,E,F
342	049230	Elettrovalvola 2 vie	Electric valve	h, r - Up to ser. nr. 941
342	049439	Elettrovalvola 2 vie	Electric valve	h, r - From ser. nr. 942
342	049452	El.valvola; 5,5 L/M,1VIA, 230V, P5	Electric valve; 5,5 L/M, 230V, P5	b,k,l,s,u
345	049628	Trapola	Trap	

LS_10 -12 \ Zan\ 641002

Lavastoviglie a capottina da 1000 / 1200 piatti/h - LS 10/LS 12 - HT 1200
Hood type dishwasher up to 1000 / 1200 dishes/h - LS 10/LS 12 - HT 1000

Pos	Code	Descrizione	Description	Ref. / Notes
346	049649	Ass.tubo collegamento	Hose	G
347	049510	"Nipplo ottone3/4""	Nipple	G
348	049508	Portagomma; Ottone	pipe nipple	G
349	049650	Parzializzatore; 10L/min	Flow reducer	G
350	049509	Elettrovalvola; Art.8413NN	ELectric valve	G
351	049652	Raccordo	Connection	
		Pagina 5: Componenti elettrici	Page 5: Electrical components	III: 641022p4
428	048924	Resistenza; 230V, 2,2KW	Heating element; 230v, 2,2KW	
429	049757	Resistenza; 230V, 3,5KW	Heating element; 230v, 3,5KW	d,q,s,t,u,v,G
429	049756	Resistenza; 230V, 3,0KW	Heating element; 230v, 3,0KW	f, m,n,o,p,r,x,y,z,A,B,C
429	049755	Resistenza; 230V, 2,0KW	Heating element; 230v, 2,0KW	a,b,c,e,g,h,k,l,w,D,E,F
430	048429	Squadretta	Bracket	
432	049620	Pressostato	Pressure switch	
433	049303	Filtro RFI; trifase	RFI filter; three phase	
434	049618	Morsettiera	Junction box	
435	048825	Contattore; 230V, 50/60HZ, 25A	Contactor; 230V, 50/60Hz, 25A	
436	049754	Interfaccia utente	User interface	See T.B.0041
437	049752	Scheda madre, 50Hz	Main board, 50Hz	a,c,d,e,f,g,h,m,n,o,p,q, r, t,v,w,y,x,z,A,B,C,D,E,F,G b,k,l,s,u See T.B.0041 cp
437	049753	Scheda madre, 60Hz	Main board, 60Hz	
438	049580	Supporto; sonda di temp.	Suppor; temp.sound	
439	049643	Sonda di temperatura	Temp.sound	
440	0E5993	Fascetta elastica 7,8-8,3	Hose clamp 7,8-8,3	
441	046376	OR 2037	O Ring	
		Pagina 6: Componenti AU	Page 6: AU components	III: 641022p5
501	049602	Guida; superiore	Guide; upper	t - Up to Ser: 044
501	049805	Guida; superiore	Guide; upper	t - From Ser:045
502	049619	Micro; fine corsa	Micro switch	t
503	049592	Supporto; sicurezza	Suppor; safety	t
504	049588	Azionatore; fine corsa	Driving gear;	t - Up to Ser. 103
505	049603	Cremagliera	Rolling rack	t - Up to Ser: 044
505	049829	Cremagliera	Rolling rack	t - From Ser:045
506	049589	Boccola	Bush	t
507	049590	Azionatore; sicurezza	Driving gear;safety	t
508	049577	Asta di sollevamento	Lifting rod	t - Up to Ser: 044
508	049848	Asta di sollevamento	Lifting rod	t - From Ser:045
509	048780	Catena	Chain	t
510	048760	Motoriduttore	Reducer	t
511	049581	Ingranaggio	Gear	t
512	049617	Trasformatore	Transformer	t
513	049770	Guida cremaliera	Rolling rack guide	t
516	049811	Micro; fine corsa	Micro switch	t - From Ser: 104
517	049827	Azionatore; fine corsa; superiore	Driving gear; upper	t - From Ser: 104
518	049826	Azionatore; fine corsa; inferiore	Driving gear; lower	t - From Ser: 104

LS_10 -12 \ Zan\ 641002