

FRIGGITRICI GAS ELETTRONICHE 23L N900
GAS ELECTRONIC FRYERS 23L N900

PNC	Model	Ref.	Page	Notes
200 351	KFH/G1	a	1 - 9	Gas Electronic Fryer 23L 400mm
200 353	KFH/G1ELH	b	1 - 9	Gas Active Fryer 23L 400mm
200 355	KFH/G1EL	c	1 - 9	Gas Electronic + Pump Rec. Fryer 23L 400mm

Pag. 1 - 4
Pag. 5 - 8

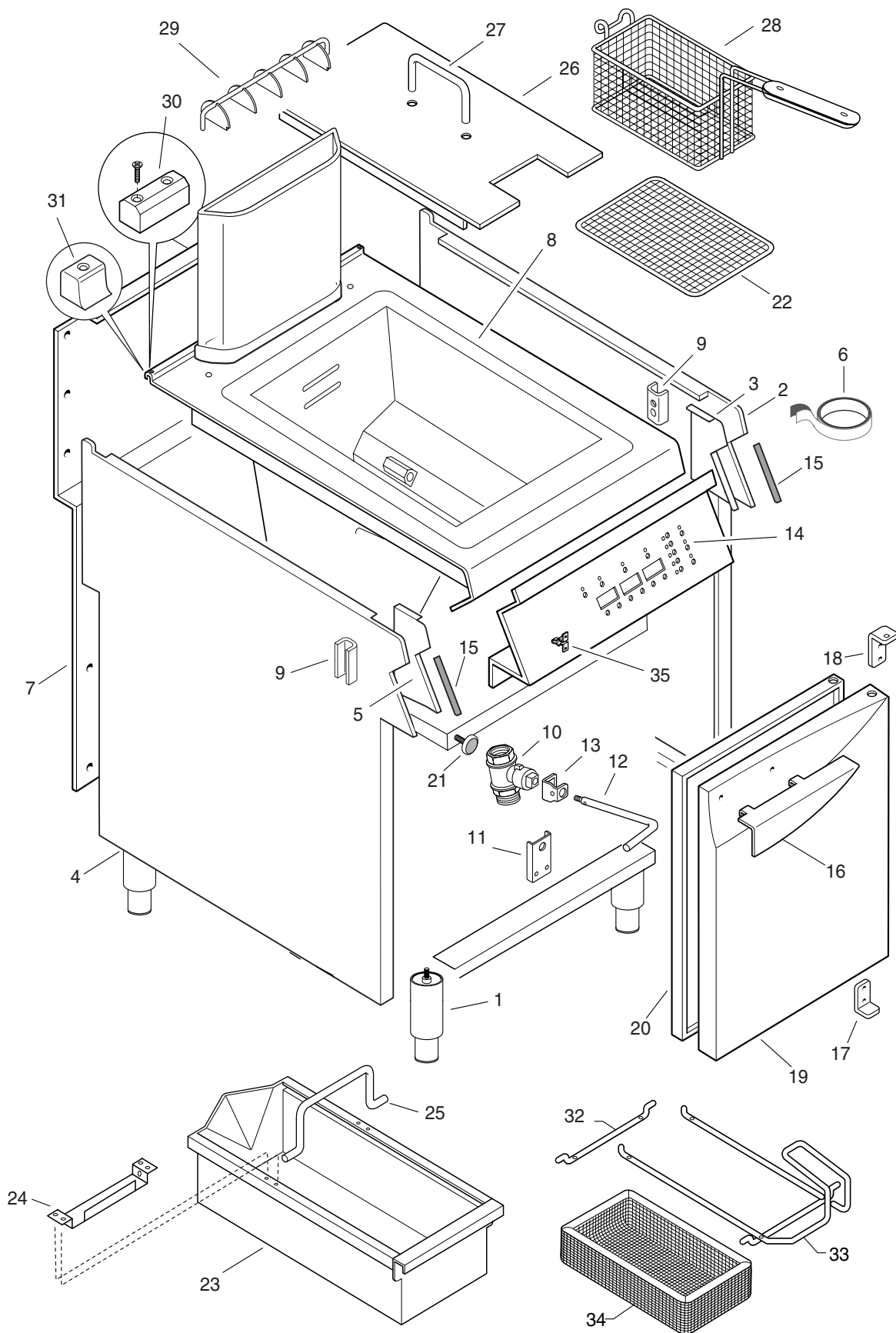
Index

Frame and components
Spare parts list

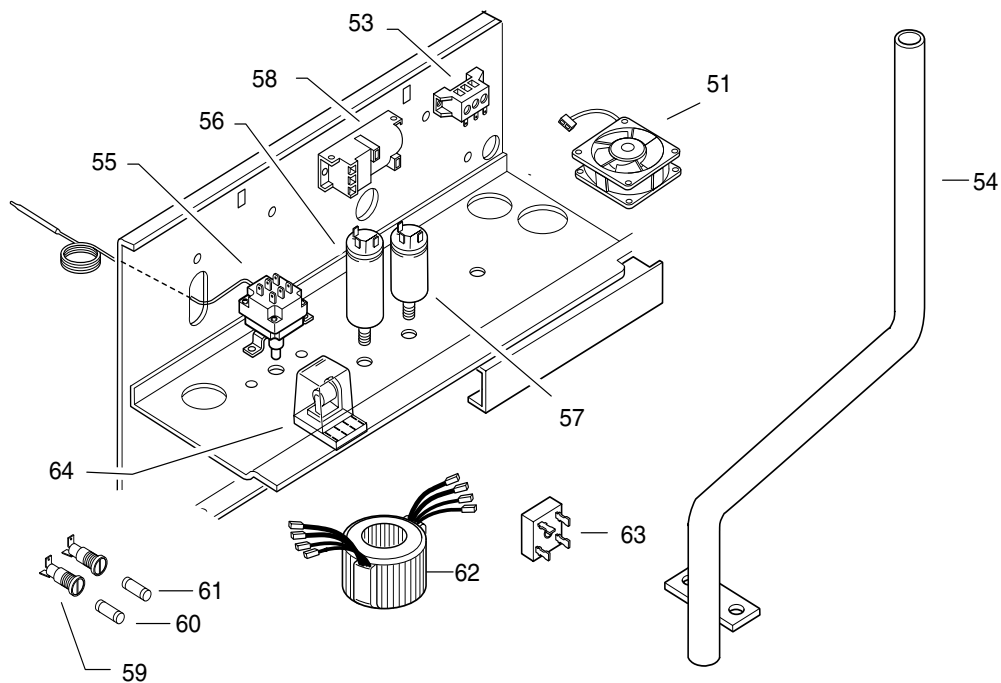
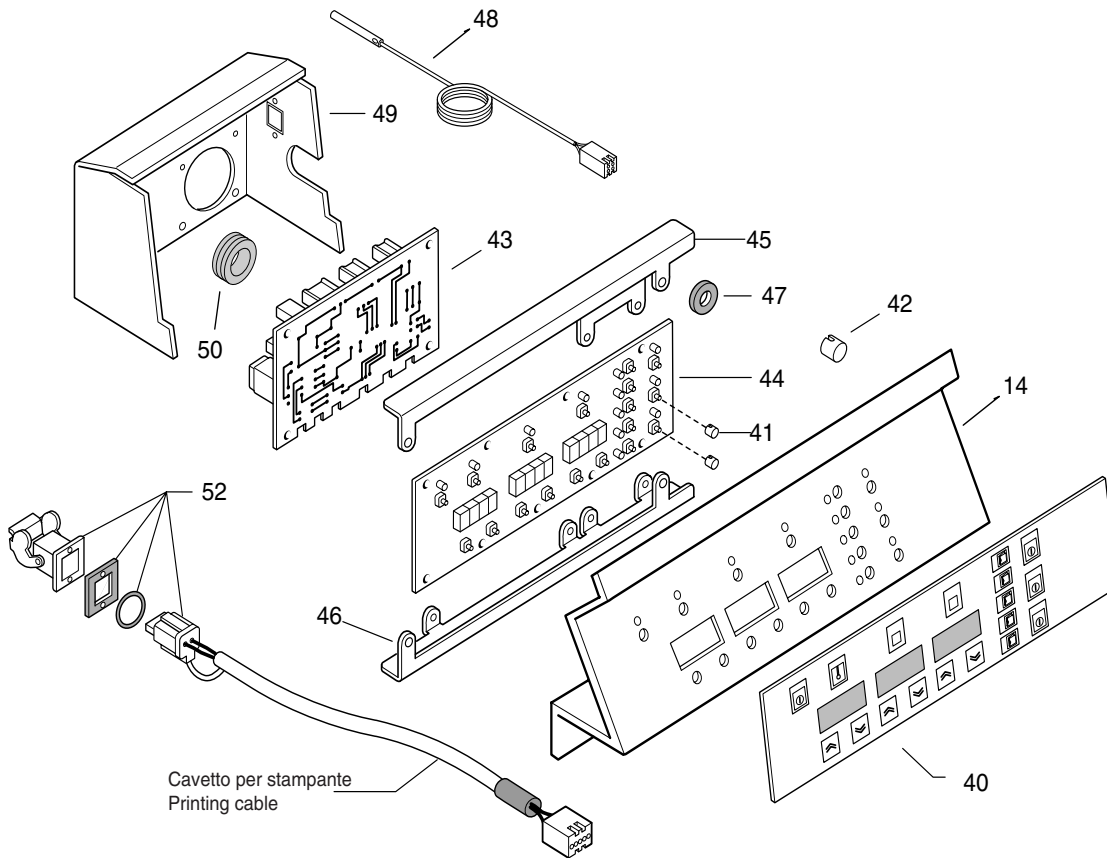
Indice

Struttura e componenti
Lista ricambi

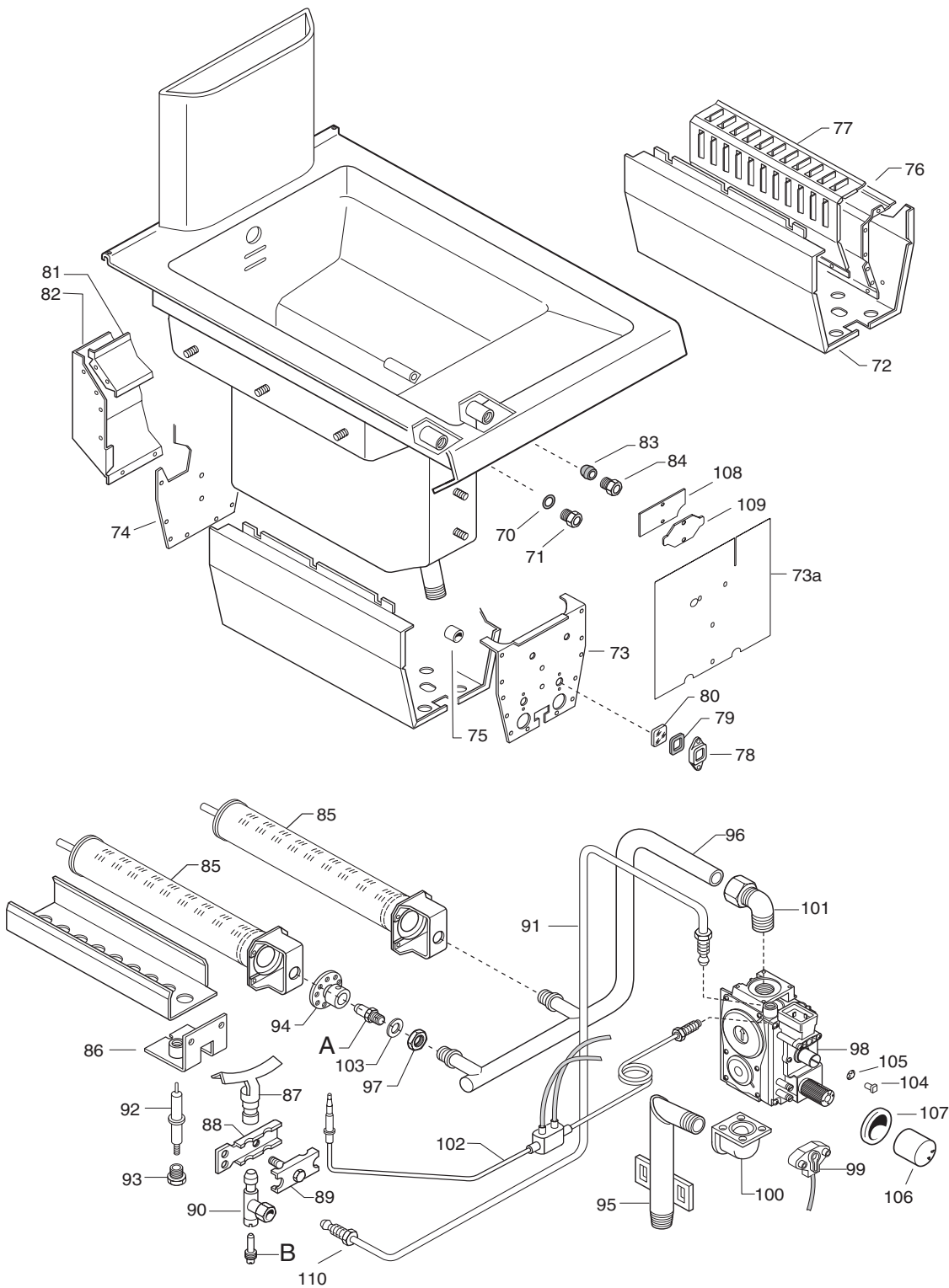
Brand / Marchio : Zanussi
Factory code: 9PDX



FRIGGITRICI GAS ELETTRONICHE 23L N900
GAS ELECTRONIC FRYERS 23L N900



FRIGGITRICI GAS ELETTRONICHE 23L N900
GAS ELECTRONIC FRYERS 23L N900



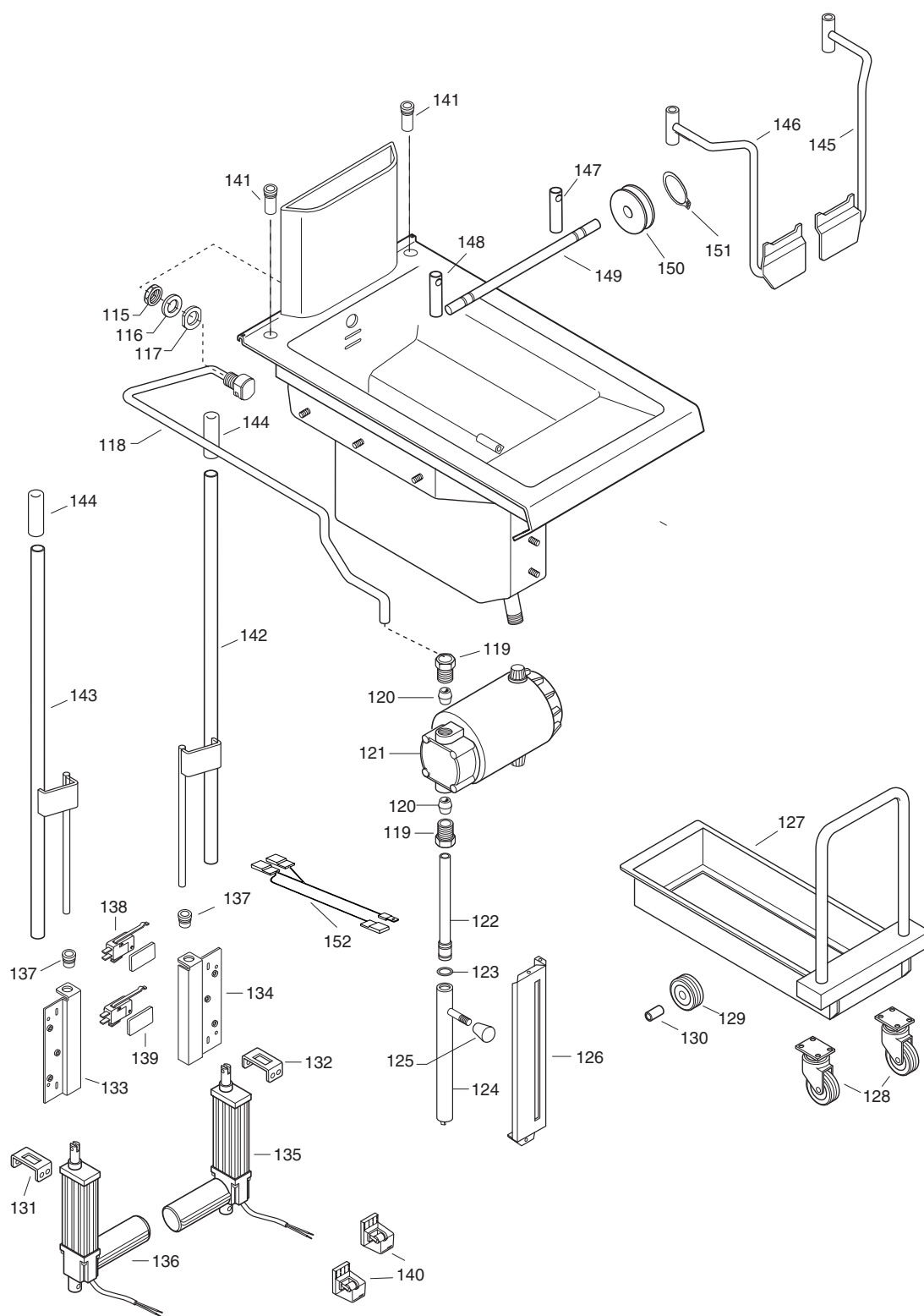
B - Ugello pilota / Pilot nozzle

6DGT Code	Ref. / Notes
003327	n°40 2H/2E+ G20 20mbar
003327	n°40 2ELL G25 20mbar
003327	n°40 2L G25 25mbar
058525	n°30 3+3B/P G30/31 28-30/37mbar
REG / ADJ	n°70 No CE G20 10mbar
REG / ADJ	n°25 No CE G110 8mbar

A - Ugello bruciatore / Burner nozzle

6DGT Code	Ref. / Notes
006419	ø2.90 2H/2E+ G20 20mbar
054084	ø3.20 2ELL G25 20mbar
054084	ø3.20 2L G25 25mbar
003723	ø1.75 3+3B/P G30/31 28-30/37mbar
055388	ø3.30 No CE G20 10mbar
059365	ø5.50 No CE G110 8mbar

FRIGGITRICI GAS ELETTRICHE 23L N900
GAS ELECTRONIC FRYERS 23L N900



FRIGGITRICI GAS ELETTRONICHE 23L N900
 GAS ELECTRONIC FRYERS 23L N900

FRIGGITRICI GAS ELETTRONICHE 23L N900
GAS ELECTRONIC FRYERS 23L N900

PNC	Model	Ref.	Notes
200 351	KFH/G1	a	Gas Electronic Fryer 23L 400mm
200 353	KFH/G1ELH	b	Gas Active Fryer 23L 400mm
200 355	KFH/G1EL	c	Gas Electronic + Pump Rec. Fryer 23L 400mm

Pos	Factory Code	6DGT Code	Descrizione	Description	Ref./ Notes
			Pagina 1	Page 1	
1	0835856900	0C0204	PIEDE	FOOT	
2	0529823703	0C0157	FIANCO DESTRO	RIGHT SIDE PANEL	
3	0527836002	0C0154	RINFORZO DESTRO	RIGHT REINFORCEMENT	
4	0529823803	0C0158	FIANCO SINISTRO	LEFT SIDE PANEL	
5	0527836102	0C0155	RINFORZO SINISTRO	LEFT REINFORCEMENT	
6	0147018088	*	ADESIVO STRUTTURALE	STRUCTURAL ADHESIVE	
7	0529875600	*	SCHIENALE 400mm FRIGG.ACTIVE	BACK PANEL 400mm ACTIVE FRYER	b
	0529829302	0C0604	SCHIENALE 400mm	BACK PANEL 400mm	a c
8	0873840402	0C1011	RIPIANO / VASCA 400mm	WORKTOP / TANK 400mm	a c
	0873834802	0C1013	RIPIANO / VASCA 400mm	WORKTOP / TANK 400mm	b
				see PDX2007-11	
9	0527850500	0C0156	PIASTRA FISSAGGIO FIANCHI	SIDE PANEL JOINTING PLATE	
10	0835855000	006688	VALVOLA SCARICO	DRAIN VALVE	
11	0527845001	0C0607	SUPPORTO LEVA SCARICO	SUPPORT, DRAIN EXTENSION	
12	0516868800	0C0608	PROLUNGA PER SCARICO	DRAIN EXTENSION	
13	0508897002	006877	GUIDA PER PROLUNGA SCARICO	GUIDE, DRAIN EXTENSION	
	0853865001	0C1004	CRUSCOTTO 400mm	CONTROL PANEL 400mm	
15	0543821900	0L0113	GUARNIZIONE X CRUSCOTTO	GASKET, CONTROL PANEL	
16	0530844200	0C0463	MANIGLIA DESTRA	RIGHT HANDLE	
17	0516860801	0C0138	CERNIERA	HINGE, DOOR	
18	0516860901	0C0139	CERNIERA	HINGE, DOOR	
19	0529837201	0C0567	PORTA DESTRA	RIGHT DOOR	
20	0529836800	0C0177	CONTROPORTA	INNER DOOR	
21	0830898200	0C0201	MAGNETE PER PORTA	MAGNET, DOOR	
22	0830884701	006130	GRIGLIA DI FONDO	GRATE FOR BOTTOM	
23	0522854700	0C0611	BACINELLA PER OLIO	BASIN FOR BASIN	
24	0528822801	0C0612	SUPPORTO MANIGLIA BACINELLA	SUPPORT FOR HANDLE, BASIN	
25	0516849501	006131	MANIGLIA BACINELLA	HANDLE, BASIN	
26	0529889900	0C1014	COPERCHIO FRIGG. ACTIVE	LID, ACTIVE FRYER	b
	0529890100	0C0613	COPERCHIO FRIGG. 23Lt	LID, 23Lt FRYER	a c
27	511819000	0C0614	MANIGLIA COPERCHIO	HANDLE, LID	
28	0830894500	006133	CESTELLO	BASKET	
29	0510821501	0C0910	GRIGLIA CAMINO	GRID, CHIMNEY	a
30	0516860700	0C0137	PIASTRA GIUNZIONE APPARECC.	JOINTING REAR PLATE	
31	0541810600	0C0187	TAPPO POSTERIORE RIPIANO	STOPPER	
32	0516848000	006160	TELAIO PER FILTRO	FRAME, OIL FILTER	
33	0516848101	006161	TRAVERSA PER FILTRO	CROSSPIECE, OLI FILTER	
34	0542800101	006149	FILTRO (POLIESTERE)	FILTER (POLYESTER)	
35	0518801801	053342	MOLLA MARCHIO	SPRING, BRAND	

FRIGGITRICI GAS ELETTRONICHE 23L N900
GAS ELECTRONIC FRYERS 23L N900

PNC	Model	Ref.	Notes
200 351	KFH/G1	a	Gas Electronic Fryer 23L 400mm
200 353	KFH/G1ELH	b	Gas Active Fryer 23L 400mm
200 355	KFH/G1EL	c	Gas Electronic + Pump Rec. Fryer 23L 400mm

Pos	Factory Code	6DGT Code	Descrizione	Description	Ref./ Notes
			Pagina 2	Page 2	
40	0675840500	0C1015	MEMBRANA FRIGG.ELETTRONICA	LAYER, ELECTRONIC FRYER	a
	0675835602	006608	MEMBRANA FRIGG.ACTIVE	LAYER, ACTIVE FRYER	b
	0675840400	0C1016	MEMBRANA FRIGG.ELETT. + RIC.OLIO	LAYER, ELECT. + PUMP REC. FRYER	c
41	0548836902	002670	PROLUNGA PULSANTE	EXTENSION, SWITCH	
42	0516865600	*	DISTANZIALE PER SCHEDA INTERF.	SPACER, USER INTERFACE	
43	0675837305	006624	SCHEDA MADRE	MOTHER BOARD	
44	0675835503	006803	SCHEDA INTERFACCIA	USER INTERFACE	
45	0528828101	*	SUPPORTO SUPERIORE SCHEDA	UPPER SUPPORT, USER INTERF.	
46	0528813501	006616	SUPPORTO INFERIORE SCHEDA	LOWER SUPPORT, USER INTERF.	
47	0546813800	*	RONDELLA FISSAGGIO SCHEDA	WASHER, BOARD FIXING	
48	0675837201	006609	SONDA NTC	NTC PROBE	
49	0529875401	*	PROTEZIONE SCHEDA	PROTECTION, MAIN BOARD	since s/n 547
50	0246520500	050180	PASSACAVO DIA. 23	CABLE LEAD DIA.23	
51	0624810200	0C2420	VENTILATORE	FAN	since s/n 547
52	0638887600	006623	CAVETTO PER STAMPANTE (400mm)	PRINTING CABLE (400mm)	b
53	0639804900	046357	MORSETTIERA	TERMINAL BOARD	
54	0853863601	*	PROTEZIONE ENTRATA CAVO	PROTECTION INPUT CABLE	
55	0646810502	006282	TERMOSTATO DI SICUREZZA	SAFETY THERMOSTAT	till s/n 722
	0646816500	0C4279	TERMOSTATO DI SICUREZZA	SAFETY THERMOSTAT	since s/n 722 see PDX2007-11
56	0694601000	046217	FILTRO ANTIDISTURBO	RIF FILTER	
57	0694502400	059078	FILTRO LC	LC FILTER	
58	0624804700	004240	ACCENDITORE	LIGHTER	
59	0652800401	056582	PORTAFUSIBILE	FUSE HOLDER	
60	0652803300	0C1480	FUSIBILE 6.3A	6.3A FUSE	since s/n 547
61	0652803300	0C1480	FUSIBILE 6.3A	6.3A FUSE	
62	0624805601	006159	TRASFORMATORE	TRANSFORMER	
63	0675830800	006147	PONTE RADDRIZZATORE	DIODE BRIDGE	
64	0648806900	006610	RELE'	RELAY	

FRIGGITRICI GAS ELETTRONICHE 23L N900
GAS ELECTRONIC FRYERS 23L N900

PNC	Model	Ref.	Notes
200 351	KFH/G1	a	Gas Electronic Fryer 23L 400mm
200 353	KFH/G1ELH	b	Gas Active Fryer 23L 400mm
200 355	KFH/G1EL	c	Gas Electronic + Pump Rec. Fryer 23L 400mm

Pos	Factory Code	6DGT Code	Descrizione	Description	Ref./ Notes
			Pagina 3	Page 3	
70	0543815000	059293	GUARNIZIONE OR	OR GASKET	
71	0514874500	059295	RACCORDO SUPPORTO BULBO D.4	NIPPLE, FIXING BULB DIA.4	
72	0529826202	*	CAMERA DI COMBUSTIONE	COMBUSTION CHAMBER	
73	0529885900	*	PARETE ANTERIORE. CAMERA COMB.	FRONT. PANEL, COMB. CHAMBER	till s/n 722
	0530834301	*	PARETE ANTERIORE. CAMERA COMB.	FRONT. PANEL, COMB. CHAMBER	since s/n 722
73a	0529801300	*	PROTEZIONE FRONTALE	FRONTAL PROTECTION	till s/n 722
	0529828101	*	PROTEZIONE FRONTALE	FRONTAL PROTECTION	since s/n 722 see PDX2007-11
74	0529886000	*	PARETE POSTERIORE. CAMERA COMB.	POST. PANEL, COMB. CHAMBER	
75	0214680600	052263	DISTANZIALE DIA. 12	SPACER DIA.12	
76	0523866300	*	CONVOGLIATORE FUMI	FUME CONVEYOR	
77	0523873100	*	DEFLETTORE	DEFLECTOR	
78	0206260400	057382	CORNICE PER VETRINO SPIA	FRAME, INSPECTION GLASS	till s/n 722
79	0282217401	057402	GUARNIZIONE PER VETRINO	GASKET, INSPECTION GLASS	till s/n 722
80	0275290025	057400	VETRINO SPIA	INSPECTION GLASS	till s/n 722
81	0529886100	*	PARETE ANTERIORE CAMINO	FRONTAL PANEL CHIMNEY	
82	0529886200	*	PARETE POSTERIORE CAMINO	POST. PANEL CHIMNEY	
83	0543815600	002075	GUARNIZIONE	GASKET	
84	0516801801	002076	RACCORDO SUPPORTO BULBO D.6	NIPPLE, FIXING BULB DIA.6	
85	0830823100	006127	BRUCIATORE	BURNER	
86	0800829900	0C0630	SUPPORTO PILOTA	PILOT SUPPORT	
87	0830885600	006128	CANNELLO PILOTA	BLOWPIPE, PILOT BURNER	
88	0206993500	052256	STAFFA PER PILOTA	BRACKET, PILOT	
89	0206649700	052246	CONTROSTAFFA PER PILOTA	CONUTER BRACKET, PILOT	
90	0835854800	006725	CORPO PILOTA	PILOT BURNER	
91	0806817401	*	CONDUTTURA PILOTA	PILOT PIPE	
92	0830863300	059380	ELETTRODO	ELECTRODE, IGNITION	
93	0214164101	057960	RACCORDO	NIPPLE	
94	0830828001	054039	AERATORE	AERATOR	
95	0835861100	*	CONDUTTURA ENTRATA GAS	INLET GAS PIPE	
96	0835861200	*	RIBALTA GAS	PIPE, BURNER - GAS VALVE	
97	0214105101	020997	CONTRODADO PORTAUGELLO	LOCK NUT, NOZZLE	
98	0835819901	002903	VALVOLA GAS	GAS VALVE	
99	0830831400	054539	MICROINTERRUTTORE VALVOLA GAS	MICROSWITCH, GAS VALVE	
100	0830866100	0A5398	RACCORDO	NIPPLE	
101	0517866200	006622	RACCORDO "L"	"L" NIPPLE	
102	0830828703	054055	TERMOCOPPIA INTERROTTA	INTER. THERMOCOUPLE	
103	0506833401	054029	GUARNIZIONE PER UGELLO	GASKET, NOZZLE	
104	0541807301	059207	INDICE MANOPOLA	POINTER, KNOB	
105	0218912211	069567	MOLLA FISSA INDICE	SPRING, POINTER KNOB	
106	0546811100	003704	MANOPOLA	KNOB	
107	0543820001	003705	GUARNIZIONE MANOPOLA	GASKET, KNOB	
108	0527871901	0C4749	SUPPORTO BULBO LIMITATORE	SAFETY TERM. BULB SUPPORT	since s/n 722
109	0569806300	0C4748	ISOLANTE BULBO	SAFETY THERMOSTAT BULB INSULATION	since s/n 722 see PDX2007-11
110	0214162000	0C0121	RACCORDO TERMOCOPPIA	PIPE FITTING, THERMOCOUPLE	

FRIGGITRICI GAS ELETTRONICHE 23L N900
GAS ELECTRONIC FRYERS 23L N900

PNC	Model	Ref.	Notes
200 351	KFH/G1	a	Gas Electronic Fryer 23L 400mm
200 353	KFH/G1ELH	b	Gas Active Fryer 23L 400mm
200 355	KFH/G1EL	c	Gas Electronic + Pump Rec. Fryer 23L 400mm

Pos	Factory Code	6DGT Code	Descrizione	Description	Ref./ Notes
			Pagina 4	Page 4	
115	0516849000	*	DADO	NUT	b c
116	0508891200	*	RONDELLA	WASHER	b c
117	0516865900	*	RONDELLA	WASHER	b c
118	0806824200	*	CONDUTTURA CARICO OLIO	INLET PIPE, OIL	b c
119	0514862501	051950	RACCORDO	NIPPLE	b c
120	0215170716	050682	OGIVA	BICONICAL RING	b c
121	0686800001	006146	POMPA CARICO OLIO	PUMP, OIL CIRCULATION	b c
122	0806812400	*	CONDUTTURA INTERNA CARICO OLIO	INTERNAL PIPE, OIL CIRCULATION	b c
123	0543826300	006426	GUARNIZIONE	GASKET	b c
124	0806824300	*	CONDUTTURA ESTERNA CARICO OLIO	EXTERNAL PIPE, OIL CIRCULATION	b c
125	0516865700	0C0951	POMELLO	KNOB	b c
126	0528828400	*	PROTEZIONE CARICO OLIO	PROTECTION, OIL PIPE	b c
127	0870847400	0C1018	CARRELLO	TROLLEY	
128	0835849000	006150	RUOTA DIA.140	WHEEL DIA 140	
129	0835848900	006151	RUOTA DIA.40	WHEEL DIA 40	
130	0517862800	006163	PERNO	PIN	
131	0527846500	*	GUIDA ATTUATORE SINISTRA	RUNNER, LEFT MOTOR ELEVATOR	b
132	0527846600	*	GUIDA ATTUATORE DESTRA	RUNNER, RIGHT MOTOR ELEVATOR	b
133	0806824801	*	PROLUNGA SINISTRA	LEFT PRONG	b
134	0806824701	*	PROLUNGA DESTRA	RIGHT PRONG	b
135	0611806200	006691	ATTUATORE PER SOLLEVAMENTO SX	LEFT MOTOR ELEVATOR	b
136	0611806100	006690	ATTUATORE PER SOLLEVAMENTO DX	RIGHT MOTOR ELEVATOR	b
137	0544807000	*	BOCCOLA	BUSHING	b
138	0640800800	053671	MICROINTERRUTTORE	MICROSWITCH	b
139	0246214023	045404	PIASTRINA ISOLANTE	INSULATION PLATE	b
140	0648806900	006610	RELE	RELAY	b
141	0516866000	0C1019	BOCCOLA	BUSHING	b
142	0806824401	0C1020	ASTA SOLLEVAMENTO DX	RIGHT ROD, LIFT BASKET	b
143	0806824501	0C1021	ASTA SOLLEVAMENTO SX	LEFT ROD, LIFT BASKET	b
144	0516866600	0C1022	ESTERMITA' SUPPORTO	HEAD SUPPORT	b
145	0831800301	0C1023	SUPPORTO DX CESTELLI	RIGHT SUPPORT BASKET	b
146	0831800401	0C1024	SUPPORTO SX CESTELLI	LEFT SUPPORT BASKET	b
147	0516866300	0C1025	SUPPORTO DX	RIGHT SUPPORT	b
148	0516866400	0C1026	SUPPORTO SX	LEFT SUPPORT	b
149	0516866500	0C1027	BARRA SUPPORTO CESTELLI	ROD, BASKET SUPPORT	b
150	0516849400	0C1028	GUIDA CESTELLI	RUNNER, BASKET	b
151	0219001015	*	ANELLO	SEEGER UNI 7435-75 AISI 316 INNER DIAMETER 10mm.	b
152	0638889201	0C1471	CABLAGGIO PER MICRO	CABLE FOR MICROSWITCH	b