

**Modular Platform**

Viale Treviso, 15  
33170 Pordenone - Italy  
Fax: +39 0434-380577

**CUOCIPASTA ELETTRICO N900  
ELECTRIC PASTA COOKER N900**

<b>PNC</b>	<b>Model</b>	<b>Ref.</b>	<b>Notes</b>
200 380	KCP/E1	a	Electric Pasta Cooker 40L 400MM
200 381	KCP/E1R	b	Electric Pasta Cooker Rapid System 40L 400MM
200 382	KCP/E2	c	Electric Pasta Cooker 40+40L 800MM
200 383	KCP/E2R	d	Electric Pasta Cooker 40+40L Rapid System 800MM

Pag. 1  
Pag. 2  
Pag. 3  
Pag. 4 -5

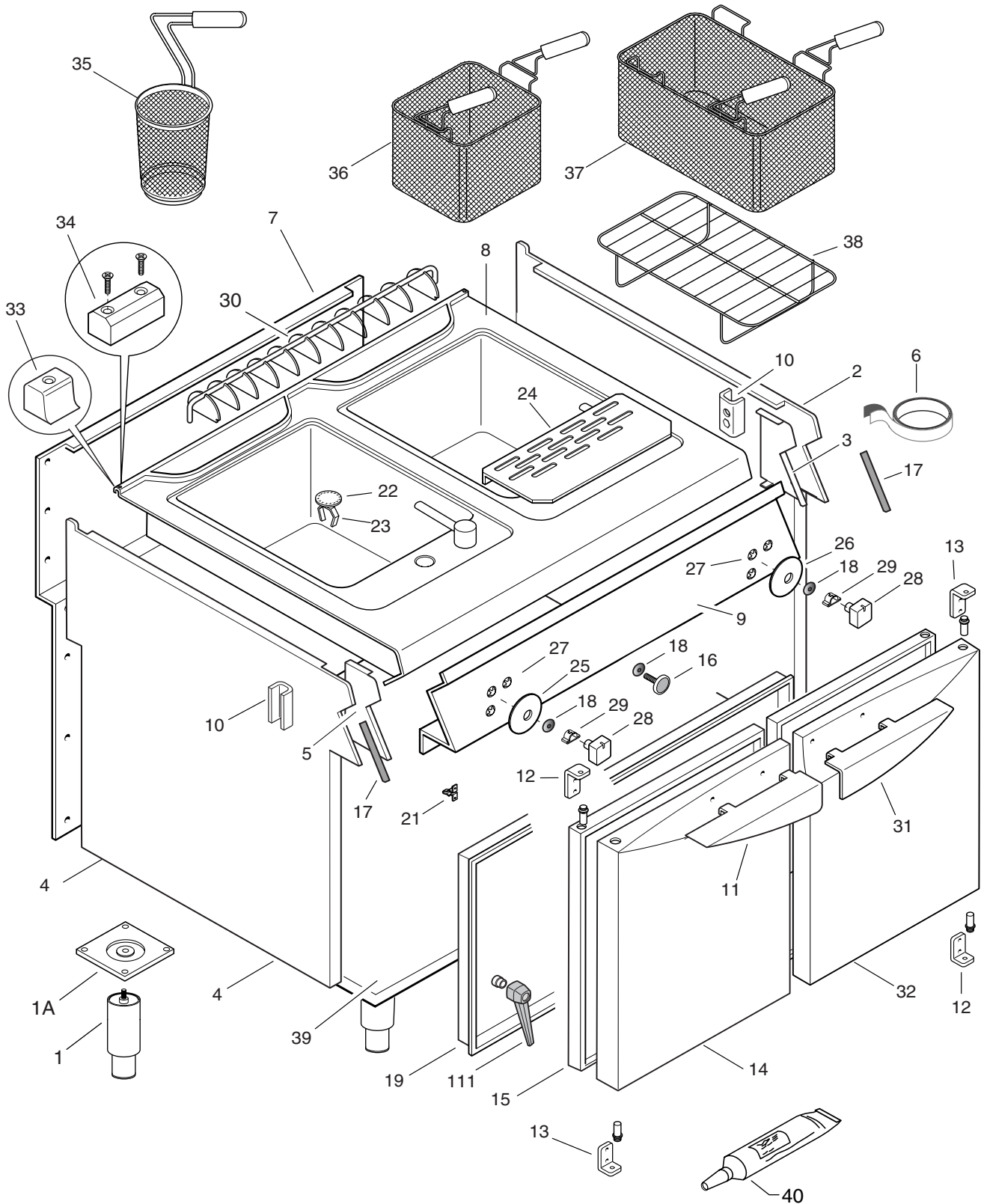
**Index**

Frame  
Functional components  
Water system/Boiler  
Spare parts list

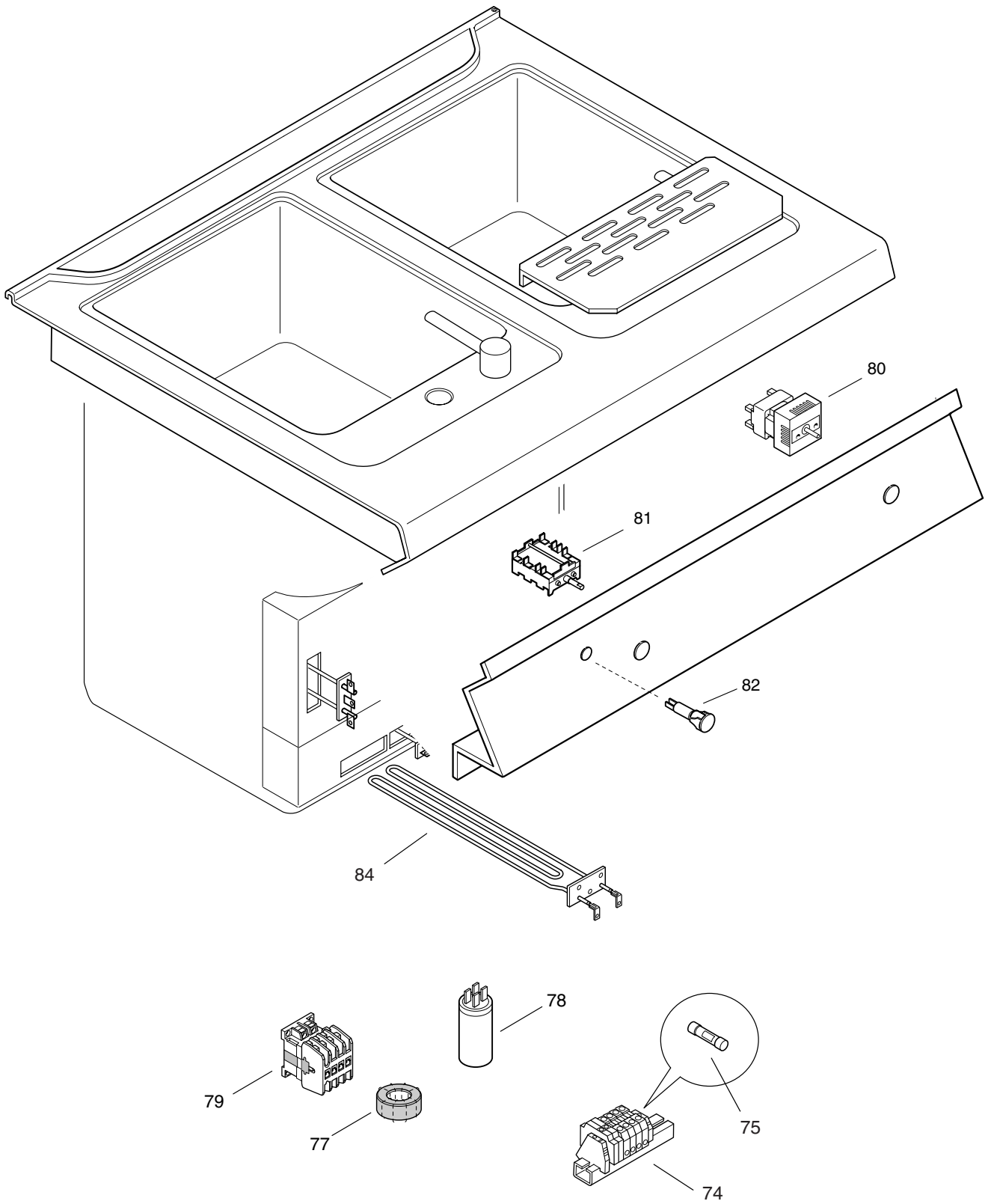
**Indice**

Mobile  
Componenti funzionali  
Impianto acqua/Boiler  
Lista ricambi

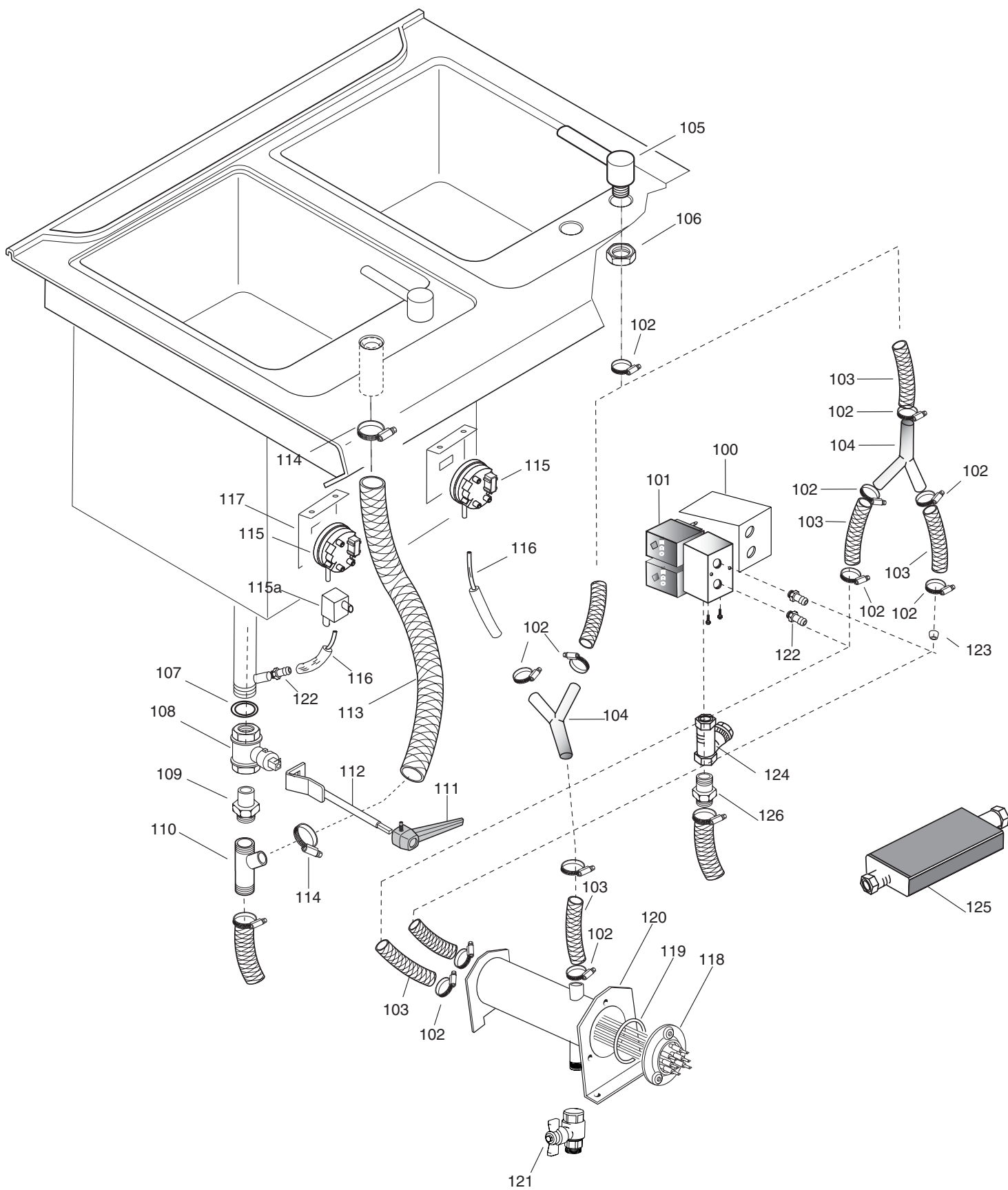
**Brand / Marchio :** Zanussi  
**Factory code:** 9PDX



Cuocipasta Elettrico N900  
Electric Pasta Cooker N900



Cuocipasta Elettrico N900  
Electric Pasta Cooker N900



Cuocipasta Gas N900  
Gas Pasta Cooker N900

**CUOCIPASTA ELETTRICO N900**  
**ELECTRIC PASTA COOKER N900**

Code	Type	Ref.	Notes
200380	KCP/E1	a	Electric Pasta Cooker 40L 400MM
200381	KCP/E1R	b	Electric Pasta Cooker Rapid System 40L 400MM
200382	KCP/E2	c	Electric Pasta Cooker 40+40L 800MM
200383	KCP/E2R	d	Electric Pasta Cooker 40+40L Rapid System 800MM

Pos	Factory Code	6 Dgt Code	Descrizione	Description	Ref. / Notes
			<b>Pagina 1</b>	<b>Page 1</b>	
1	0835856900	0C0204	PIEDE	FOOT	
1A	0508898900	0C0122	PIASTRA DI RINFORZO PER PIEDE	PLATE FOR FOOT	
2	0529823703	0C0157	FIANCO DESTRO	RIGHT SIDE PANEL	
3	0527836002	0C0154	RINFORZO FIANCO DESTRO	RIGHT SIDE PANEL STIFFENING	
4	0529823803	0C0158	FIANCO SINISTRO	LEFT SIDE PANEL	
5	0527836102	0C0155	RINFORZO FIANCO SINISTRO	LEFT SIDE PANEL STIFFENING	
6	0147018088	0C1289	ADESIVO STRUTTURALE	STRUCTURAL ADHESIVE TAPE	
7	0529829301	0C0604	SCHIENALE 400mm	BACK PANEL 400mm	a b
	0529829403	0C0162	SCHIENALE 800mm	BACK PANEL 800mm	c d
8	0870841102	*	RIPIANO / VASCA 400mm	WORKTOP / TANK 400mm	a b
	0870845702	*	RIPIANO / VASCA 800mm	WORKTOP / TANK 800mm	c d
	0870841103	0C0564	RIPIANO / VASCA 400mm	WORKTOP / TANK 400mm	a b
	0870845703	0C0601	RIPIANO / VASCA 800mm	WORKTOP / TANK 800mm	c d
9	0831801800	0C0306	CRUSCOTTO 400mm	CONTROL PANEL 400mm	a b
	0853868600	0C0570	CRUSCOTTO 800mm	CONTROL PANEL 800mm	c d
10	0527850500	0C0156	PIASTRA FISSAGGIO FIANCHI	SIDE PANEL JOINTING PLATE	
11	0529837800	0C0180	MANIGLIA SINISTRA	LEFT HANDLE	
12	0516860801	0C0138	CERNIERA	HINGE, DOOR	
13	0516860901	0C0139	CERNIERA	HINGE, DOOR	
14	0529837300	0C0179	PORTA SINISTRA	LEFT DOOR	
15	0529836800	0C0177	CONTROPORTA	INNER DOOR OVEN	
16	0830898200	0C0201	MAGNETE	MAGNET, DOOR	
17	0543821900	0L0113	GUARNIZIONE X CRUSCOTTO	GASKET	
18	0543821000	053816	GUARNIZIONE X MANOPOLA	GASKET	
19	0529866801	0C0600	PANNELLO FRONTALE 400MM	FRONTAL PANEL 400MM	a b
	0529867001	0C0602	PANNELLO FRONTALE 800MM	FRONTAL PANEL 800MM	c d
21	0518801801	053342	MOLLA PER MARCHIO	SPRING	
22	0506864501	004836	FILTRO FONDO	BOTTOM FILTER	
23	0514848300	054905	MOLLA PER FILTRO FONDO	SPRING, FILTER	
24	0528822601	0C0559	SGOCCIOLATOIO	DRAINING BOARD	
25	0548859100	0C0560	GHIERA PER COMMUTATORE	RING, KNOB SWITCH	
26	0548859001	0C0318	GHIERA REGOLATORE DI ENERGIA	RING, KNOB ENERGY REGULATOR	
27	0218912211	069567	MOLLETTA PER GHIERA	RING, RING KNOB	
28	0548856800	0C0257	MANOPOLA	KNOB	
29	0214590701	025245	MOLLETTA X MANOPOLA	SPRING, KNOB	
30	0510819707	0C0131	GRIGLIA CAMINO PICCOLO	GRID	a b
	0510819801	0C0508	GRIGLIA CAMINO GRANDE	GRID	c d
31	0529837700	0C0463	MANIGLIA DESTRA	RIGHT HANDLE RIGHT	c d
32	0529837201	0C0567	PORTA DESTRA	RIGHT DOOR	c d
33	0541810600	0C0187	TAPPO POSTERIORE RIPIANO	STOPPER	
34	0516860700	0C0137	PIASTRA GIUNZIONE APPARECC.	JOINTING REAR PLATE	
35	0830857503	056918	CESTO CUOCIPASTA TONDO 1/6	ROUND BASKET 1/6; PASTA COOKER	
35	0830857403	056917	CESTO CUOCIPASTA TONDO 1/3	ROUND BASKET 1/3; PASTA COOKER	
36	0830857104	056915	CESTO CUOCIPASTA GN1/3	BASKET GN1/3; PASTA COOKER	
36	0830857204	056916	CESTO CUOCIPASTA GN1/2	BASKET GN1/2; PASTA COOKER	
37	F927216	*	CESTO CUOCIPASTA GN1/1	BASKET GN1/1; PASTA COOKER	
38	F927219	*	GRIGLIA DI FONDO	FALSE BOTTOM, PASTA COOKER	
39	0524885102	*	FONDO 800mm	BOTTOM PANEL 800mm	d
40	0147098044	006083	SIGILLANTE ADESIVO PER PORTE	ADHESIVE SILICON, DOOR	

since s/n 324  
see TB18-03

**CUOCIPASTA ELETTRICO N900**  
**ELECTRIC PASTA COOKER N900**

Code	Type	Ref.	Notes
200380	KCP/E1	a	Electric Pasta Cooker 40L 400MM
200381	KCP/E1R	b	Electric Pasta Cooker Rapid System 40L 400MM
200382	KCP/E2	c	Electric Pasta Cooker 40+40L 800MM
200383	KCP/E2R	d	Electric Pasta Cooker 40+40L Rapid System 800MM

Pos	Factory Code	6 Dgt Code	Descrizione	Description	Ref. / Notes
			<b>Pagina 2</b>	<b>Page 2</b>	
74	0639806600	006854	MORSETTIERA	TERMINAL BOARD	
75	0452140500	057783	FUSIBILE	FUSE	
77	0694801700	005517	NUCLEO TOROIDALE	FILTER	
78	0694605400	049303	FILTRO TRIFASE	RADIO INTERFERENCE FILTER	
79	0648807400	006879	CONTATTORE	CONTACTOR	
80	0699801001	055016	REGOLATORE DI ENERGIA		
81	0641802400	059544	COMMUTATORE; 4 POS.	ENERGY REGULATOR	
82	0876800002	005010	LAMPADA SPIA VERDE	PILOT LAMP; GREEN	
84	0617824601	006853	RESISTENZA 1650W 230V	HEATING ELEMENT 1650W 230V	
			<b>Pagina 3</b>	<b>Page 3</b>	
100	0528876800	0C4151	COPERTURA ELETTROVALVOLA	WATER VALVE PROTECTION	since s/n 650 see PDX2006-19
101	0696807100	0C2390	ELETTROVALVOLA	MAGNETIC VALVE	
102	0835823600	*	FASCETTA	HOSE CLAMP	
103	0140068006	055445	TUBO GOMMA TELATO DIA.12mm	HOSE, DIA.12mm	
104	0544810601	0C2950	RACCORDO A 3 VIE	CONNECTION, 3 WAY	see PDX2005-04
105	0516863503	0C0721	GETTO ACQUA	WATER TAP	see PDX2006-09
106	0516812500	0C0690	CONTRODADO OTTONE	LOCK NUT	
107	0543826500	005921	GUARNIZIONE	GASKET	
108	0835849800	005919	VALVOLA SCARICO	VALVE, DRAIN	
109	0230645404	0C0722	MANICOTTO	COUPLING	
110	0806805000	004728	RACCORDO	PIPE FITTING	
111	0835821900	056887	IMPUGNATURA	HANDLE	
112	0853860801	0C0563	MANIGLIA SCARICO	HANDLE, DRAIN	
113	0544801101	056888	CONDUTTURA	PIPE	
114	0518602700	*	FASCETTA	HOSE CLAMP	
115	0643813100	0C0872	PRESSOSTATO	PRESSURE SWITCH	
115a	0806862100	0C4143	ESPANSIONE PRESSOSTATO	EXPANSION CONTAINER	since s/n 642 see PDX2007-01 see TB19-03
116	0544807800	0C0723	TUBO SILICONE	HOOSE, SILICON, INNER	
117	0527840302	0C0724	SUPPORTO X PRESSOSTATO	SUPPORT, PRESSOSTAT	
118	0617830100	0C1848	RESISTENZA/FUSIBILE 3000W/128°C	HEATING ELEMENT/FUSE 3000W/128°C	see PDX2005-03 b d b d
119	0543800700	046213	GUARNIZIONE OR	GASKET, O-RING	
120	0873829403	0C0566	BOILER	BOILER	till s/n 702 see PDX2005-05
	0873882800	0C4222	BOILER CON SCARICO	BOILER WITH DRAIN PIPE	since s/n 702 see PDX2007-10
121	0835848500	005902	VALVOLA DI SCARICO	DRAIN VALVE	since s/n 702 see PDX2007-10
122	0516872000	0C1626	PORTAGOMMA	HOSE CARRIER	
123	0516886300	0C3152	RIDUTTORE DI PORTATA D.0,95	WATER FEED REGULATOR	see PDX2005-09
124	0806862800	0C4113	FILTRO PER ACQUA 3/4"	WATER FILTER 3/4"	since s/n 650 see PDX2007-02
125	0856806400	0C3151	CONDIZ. MAGNETICO ACQUA	WATER MAGNETIC CONDITIONER	see PDX2005-08
126	0W00526600	0E5431	RACCORDO 1/2"-3/4"	CONNECTION 1/2"-3/4"	