

Modular Platform

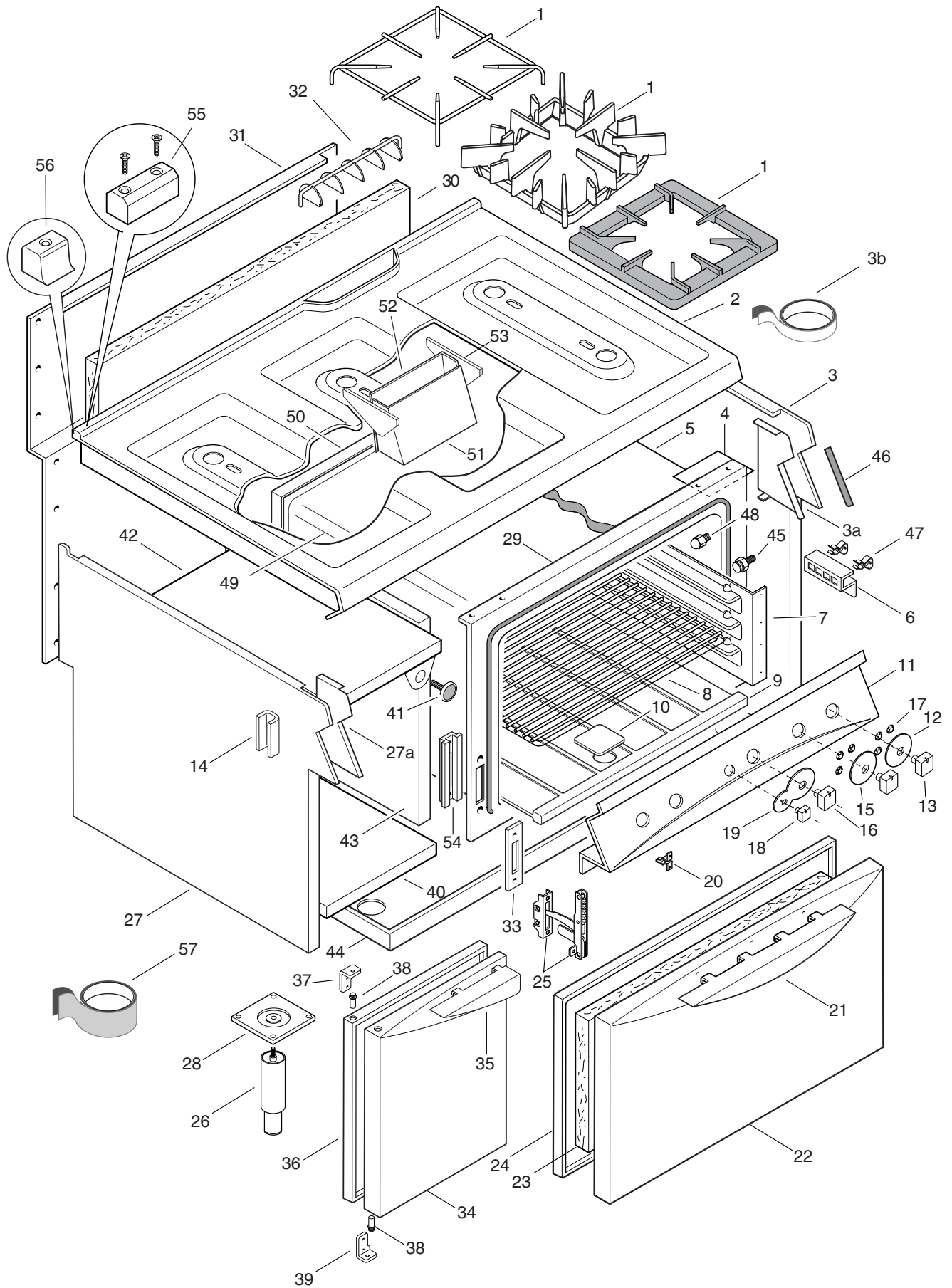
Viale Treviso, 15
33170 Pordenone - Italy
Fax: +390434-380577

**CUCINE GAS MONOBLOCCO N900
GAS RANGES N900**

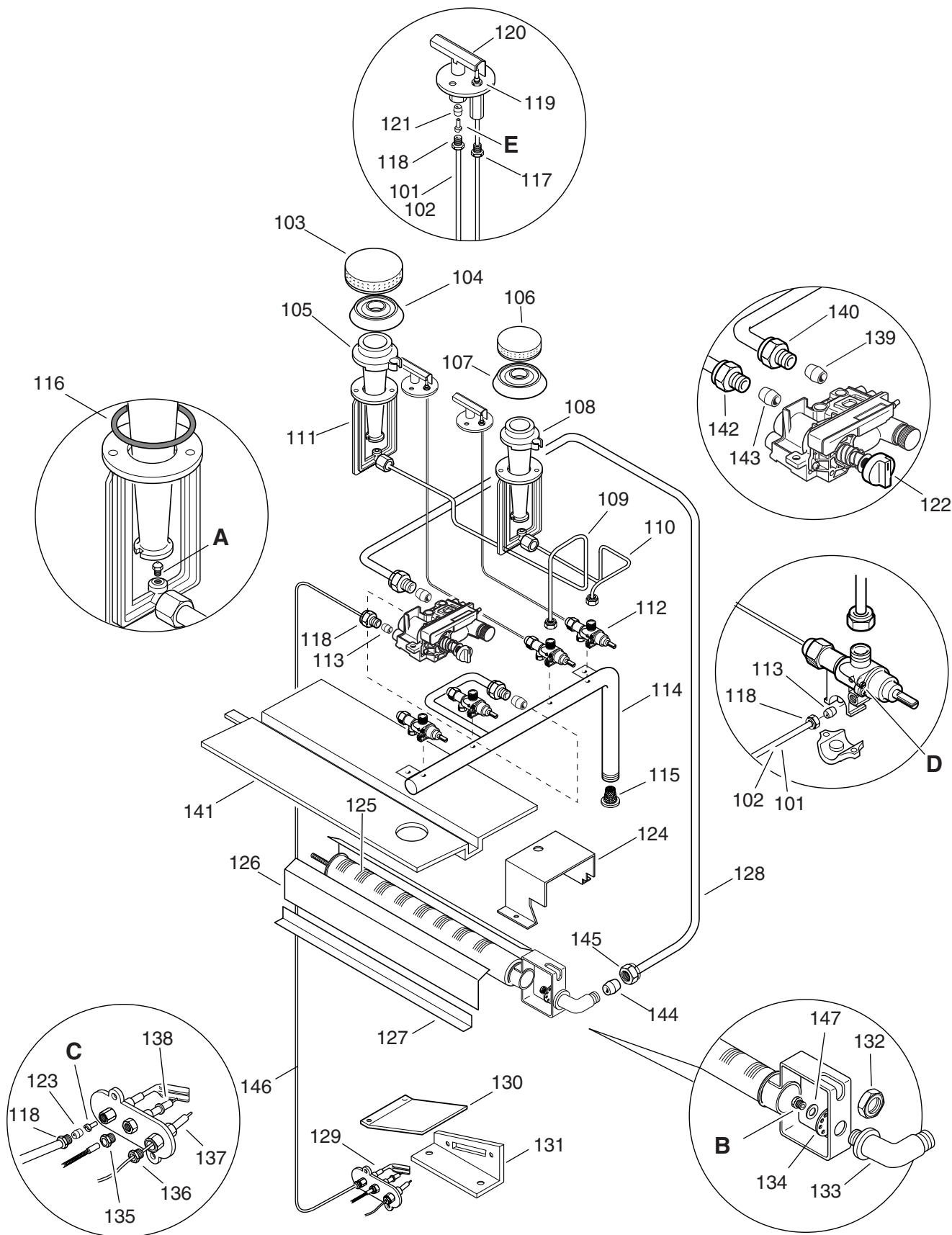
Code	Type	Ref.	Notes
200102	KCF/G2	a	4 Burners Gas Range 800 MM
200104	KCF/G3	b	6 Burners Gas Range 1200 MM
200105	KCF/G4	c	8 Burners Gas Range (on 2 ovens) 1600 MM
200116	KCF/T2	d	4 Burners Town Gas Range 800 MM
200117	KCF/T3	e	4 Burners Town Gas Range 1200 MM
200118	KCF/T4	f	8 Burners Town Gas Range (on 2 ovens) 1600 MM
200121	KCF/G2H	g	4 Big Burners Gas Range 800 MM
200145	KCF/G3H	h	6 Big Burners Gas Range 1200 MM
211148	KCF/G2L	i	4 Small Burners Gas Range 800 MM

	Indice	Index
Pag. 1	Mobile e componenti	Structure and components
2	Impianto gas	Gas components
3 - 6	Lista ricambi	Spare parts list

Marchio / Brand: Zanussi
Factory code: 7PDN



CUCINE GAS MONOBLOCCO N900
 GAS RANGES N900



CUCINE GAS MONOBLOCCO N900
 GAS RANGES N900

A - Ugello bruciatore / Burner nozzle ø60		
6DGT Code	Ref. / Notes	
0C0141	ø1.95	2H/2E+ G20 20mbar
0C0143	ø2.20	2ELL G25 20mbar
0C0142	ø2.05	2L G25 25mbar
0A2101	ø1.25	3+3B/P G30/31 28-30/37mbar
0C0147	ø1.10	3B/P G30/31 50mbar
0A2475	ø2.25	No CE G20 10mbar
059359	ø3.60	G110
059627	ø3.30	G120

A - Ugello bruciatore / Burner nozzle ø100		
6DGT Code	Ref. / Notes	
0C0144	ø2.60	2H/2E+ G20 20mbar
0C0146	ø2.75	2ELL G25 20mbar
0C0145	ø2.65	2L G25 25mbar
0A2089	ø1.60	3+3B/P G30/31 28-30/37mbar
0C0148	ø1.45	3B/P G30/31 50mbar
059383	ø2.80	No CE G20 10mbar
0A2106	ø5.00	G110
0A2112	ø4.40	G120

D - Vite di minimo / Min screw ø60		
6DGT Code	Ref. / Notes	
002899	n°80	2H/2E+ G20 20mbar
002899	n°80	2ELL G25 20mbar
002899	n°80	2L G25 25mbar
002911	n°55	3+3B/P G30/31 28-30/37mbar
002925	n°50	3B/P G30/31 50mbar
002899	n°80	No CE G20 10mbar
-	adjust	G110
-	adjust	G120

D - Vite di minimo / Min screw ø100		
6DGT Code	Ref. / Notes	
002902	n°105	2H/2E+ G20 20mbar
002902	n°105	2ELL G25 20mbar
002902	n°105	2L G25 25mbar
002769	n°75	3+3B/P G30/31 28-30/37mbar
002991	n°65	3B/P G30/31 50mbar
002902	n°105	No CE G20 10mbar
-	adjust	G110
-	adjust	G120

E - Ugello pilota / Pilot nozzle		
6DGT Code	Ref. / Notes	
053670	n°41	2H/2E+ G20 20mbar
053670	n°41	2ELL G25 20mbar
053670	n°41	2L G25 25mbar
054593	n°25	3+3B/P G30/31 28-30/37mbar
054593	n°25	3B/P G30/31 50mbar
053670	n°41	No CE G20 10mbar
053669	n°75	G110
053669	n°75	G120

C - Ugello pilota FORNO / Pilot nozzle OVEN		
6DGT Code	Ref. / Notes	
059215	n°27	2H/2E+ G20 20mbar
059215	n°27	2ELL G25 20mbar
059215	n°27	2L G25 25mbar
059216	n°14	3+3B/P G30/31 28-30/37mbar
059216	n°14	3B/P G30/31 50mbar
059215	n°27	No CE G20 10mbar
059356	n°50	G110
059356	n°50	G120

B - Ugello bruciatore FORNO / Burner nozzle OVEN		
6DGT Code	Ref. / Notes	
056471	ø2.25	2H/2E+ G20 20mbar
002267	ø2.45	2ELL G25 20mbar
004727	ø2.35	2L G25 25mbar
002862	ø1.50	3+3B/P G30/31 28-30/37mbar
059364	ø1.30	3B/P G30/31 50mbar
0C0747	ø2.70	No CE G20 10mbar
059365	ø5.50	G110
0C0136	ø4.90	G120

**CUCINE GAS MONOBLOCCO N900
GAS RANGES N900**

Code	Mod.	Ref.	Code	Mod.	Ref.	Code	Mod.	Ref.
200102	KCF/G2	a	200118	KCF/T4	f			
200104	KCF/G3	b	200121	KCF/G2H	g			
200105	KCF/G4	c	200145	KCF/G3H	h			
200116	KCF/T2	d	200148	KCF/G2L	i			
200117	KCF/T3	e						

Pos	Factory Code	6 Dgt Code	Descrizione	Description	Ref. / Notes
			Pagina 1	Page 1	
1	0510819605	0C0130	GRIGLIA FUOCHI ACCIAIO ZAN	STAINLESS STEEL GRID ZAN	TB15-03 from s/n 350
	0510819606	0C1278	GRIGLIA FUOCHI ACCIAIO ZAN	STAINLESS STEEL GRID ZAN	
	0510821002	0C1985	GRIGLIA FUOCHI GHISA ELUX	CAST IRON GRID ELUX	
	0510819902	0C0132	GRIGLIA FUOCHI GHISA ALPEN	CAST IRON GRID OEM	
2	0870836502	0C0215	RIPIANO 800mm	TABLE TOP 800mm	a d g i b e h c f
	0870836600	0C0216	RIPIANO 1200mm	TABLE TOP 1200mm	
	0870836700	0C0217	RIPIANO 1600mm	TABLE TOP 1600mm	
3	0529823703	0C0157	FIANCO DESTRO	RIGHT SIDE PANEL	
3a	0527836002	0C0154	RINFORZO FIANCO DESTRO	RIGHT SIDE PANEL STIFFENING	
3b	0147018088	*	ADESIVO STRUTTURALE	STRUCTURAL ADHESIVE TAPE	
4	0529850500	0C0182	PIASTRINA FACCIATA-FIANCO	PLATE JOINTING	
5	0560839400	0C0195	ISOLAMENTO FORNO	INSULATION, OVEN	
6	0507859001	059219	GRIGLIA PROTEZIONE BULBO	PROTECTION PROBE GRID	
7	0529838400	0C0181	GUIDA GRIGLIA	GRATE LEADING	
8	0330260842	025020	GRIGLIA FORNO	GRATE, OVEN	
9	0510818901	0C0123	SUOLA FORNO	SOLE PLATE	
10	0800833100	0C0198	COPERCHIO FORO PILOTA	PILOT COVER	
11	0853862100	0C0212	CRUSCOTTO 800mm	CONTROL PANEL 800mm	a d g i b e h c f
	0853862300	0C0213	CRUSCOTTO 1200mm	CONTROL PANEL 1200mm	
	0853862500	0C0214	CRUSCOTTO 1600mm	CONTROL PANEL 1600mm	
12	0548857401	0C0192	GHIERA MANOPOLA FUOCHI ANT.	KNOB RING, FRONT BURNER	
13	0548856901	0C0191	MANOPOLA RUBINETTO GAS	KNOB, GAS TAP	
14	0527850500	0C0156	PIASTRA FISSAGGIO FIANCHI	SIDE PANELS JOINTING PLATE	
15	0548858401	0C0193	GHIERA MANOPOLA FUOCHI POS.	KNOB RING, REAR BURNER	
16	0548856500	0C0189	MANOPOLA TERMOSTATO VALVOLA	KNOB, GAS VALVE THERMOSTAT	
17	0218912211	069567	MOLLETTA	SPRING	
18	0548856600	0C0190	MANOPOLA ACCENDITORE VALVOLA	KNOB, GAS VALVE IGNITER	
19	0548865400	0C0194	GHIERA VALVOLA FORNO	KNOB RING, GAS VALVE OVEN	
20	0518801801	053342	MOLLA PER MARCHIO	SPRING, LABEL	
21	0806823701	0C0200	MANIGLIA FORNO	HANDLE, OVEN	
22	0529836900	0C0178	PORTA FORNO	OVEN DOOR	
23	0560839601	0C0197	ISOLAMENTO PORTA FORNO	INSULATION OVEN DOOR	
24	0529836700	0C0176	CONTROPORTA FORNO	INNER DOOR	
25	0835848100	0C0203	CERNIERA PORTA	HINGE	
26	0835856900	0C0204	PIEDE	FOOT	
27	0529823803	0C0158	FIANCO SINISTRO	LEFT SIDE PANEL	
27a	0527836102	0C0155	RINFORZO FIANCO SINISTRO	LEFT SIDE PANEL STIFFENING	
28	0508898900	0C0122	PIASTRA DI RINFORZO PIEDE	STIFFENING PLATE, FOOT	

**CUCINE GAS MONOBLOCCO N900
GAS RANGES N900**

Code	Mod.	Ref.	Code	Mod.	Ref.	Code	Mod.	Ref.
200102	KCF/G2	a	200118	KCF/T4	f			
200104	KCF/G3	b	200121	KCF/G2H	g			
200105	KCF/G4	c	200145	KCF/G3H	h			
200116	KCF/T2	d	200148	KCF/G2L	i			
200117	KCF/T3	e						

Pos	Factory Code	6 Dgt Code	Descrizione	Description	Ref. / Notes
			Pagina 1	Page 1	
29	0870838204	0C0218	FACCIATA FORNO 800mm	FRONT OVEN 800mm	a d g i
	0870838304	0C0219	FACCIATA FORNO 1200mm	FRONT OVEN 1200mm	b e h
	0870838403	0C0220	FACCIATA FORNO 1600mm	FRONT OVEN 1600mm	c f
30	0560839501	0C0196	ISOLAMENTO SCHIENALE FORNO	INSULATION REAR OVEN	
31	0529829403	0C0162	SCHIENALE 800mm	REAR SIDE PANEL 800mm	a d g i
	0529829502	0C0163	SCHIENALE 1200mm	REAR SIDE PANEL 1200mm	b e h
	0529829601	0C0164	SCHIENALE 1600mm	REAR SIDE PANEL 1600mm	c f
32	0510819707	0C0131	GRIGLIA CAMINO	GRATE, CHIMNEY	
33	0205075423	052725	COPRICERNIERA	HINGE COVER	
34	0529837300	0C0179	PORTA SINISTRA	DOOR LEFT SIDE	b e h
35	0529837800	0C0180	MANIGLIA SINISTRA	HANDLE LEFT SIDE	b e h
36	0529836800	0C0177	CONTROPORTA	INNER DOOR	b e h
37	0516860801	0C0138	CERNIERA	HINGE	b e h
38	0518803800	*	PERNO PORTA	PIVOT	b e h
39	0516860901	0C0139	CERNIERA	HINGE	b e h
40	0529852301	0C0183	FONDO ARMADIETTO	BOTTOM PANEL CUPBOARD	b e h
41	0830898200	0C0201	MAGNETE	MAGNET	b e h
42	0529852501	0C0185	CIELO ARMADIETTO	TOP PANEL CUPBOARD	b e h
43	0529852400	0C0184	FIANCO ARMADIETTO	SIDE PANEL CUPBOARD	b e h
44	0529828205	0C0159	FONDO CUCINA GAS 800mm	BOTTOM PANEL 800mm	a d g i
44	0529828303	0C0160	FONDO CUCINA GAS 1200mm	BOTTOM PANEL 1200mm	b e h
44	0529828402	0C0161	FONDO CUCINA GAS 1600mm	BOTTOM PANEL 1600mm	c f
45	0516802900	0C0134	VITE PER GUIDA	SCREW FOR GUIDE	
46	0140088006	0L0113	GUARNIZIONE PER CRUSCOTTO	GASKET, CONTROL PANEL	
47	0214584201	066823	MOLLA PER BULBO	SPRING, BULB	
48	0516803000	0C0135	DISTANZIALE GUIDE	SPACER, GUIDE	
49	0529835503	0C0166	INVOLUCRO FORNO GAS	OVEN SHELL	
50	0529835702	0C0167	SCHIENALE FORNO GAS	REAR SIDE PANEL OVEN	
51	0529836401	0C0173	ANTERIORE CAMINO FORNO	FRONT CHIMNEY OVEN	
52	0529836501	0C0174	POST. CAMINO FORNO	REAR CHIMNEY OVEN	
53	0529874100	0C0186	DISTANZIALE CAMINO FORNO	SPACER FOR CHIMNEY	
54	0529835403	0C0165	SUPPORTO CERNIERA	HOLDER FOR HINGE	
55	0516860700	0C0137	PIASTRA GIUNZIONE POST.	JOINTING REAR PLATE	
56	0541810600	0C0187	TAPPO POSTERIORE RIPIANO	STOPPER	
57	0147018082	006451	NASTRO ALLUMINIO	BAND	

CUCINE GAS MONOBLOCCO N900
GAS RANGES N900

Code	Mod.	Ref.	Code	Mod.	Ref.	Code	Mod.	Ref.
200102	KCF/G2	a	200118	KCF/T4	f			
200104	KCF/G3	b	200121	KCF/G2H	g			
200105	KCF/G4	c	200145	KCF/G3H	h			
200116	KCF/T2	d	200148	KCF/G2L	i			
200117	KCF/T3	e						

Pos	Factory Code	6 Dgt Code	Descrizione	Description	Ref. / Notes
			Pagina 2	Page 2	
101	0517870101	0C0151	CONDUTTURA ANTERIORE PILOTA	FRONTAL PILOT PIPE	
102	0517870202	0C0152	CONDUTTURA POSTERIORE PILOTA	REAR PILOT PIPE	
103	0510819401	0C0128	SPARTIFIAMMA DIAM.100	FLAME SPREADER DIA.100	
104	0510819203	0C0126	BRUCIATORE DIAM.100	BURNER DIA.100	
105	0510820602	0C0133	VENTURI BRUCIATORE DIAM.100	VENTURI, BURNER DIA.100	
106	0510819501	0C0129	SPARTIFIAMMA DIAM.60	FLAME SPREADER DIA.60	a b c d e f i
107	0510819303	0C0127	BRUCIATORE DIAM.60	BURNER DIA.60	a b c d e f i
108	0510819103	0C0125	VENTURI BRUCIATORE DIAM.60	VENTURI, BURNER DIA.60	a b c d e f i
109	0835857501	0C0207	CONDUTTURA POSTERIORE FUOCHI	REAR BURNER PIPE	
110	0835857401	0C0206	CONDUTTURA ANTERIORE FUOCHI	FRONTAL BURNER PIPE	
111	0510819003	0C0124	SUPPORTO VENTURI	HOLDER FOR VENTURI	
112	0835857201	0C0205	RUBINETTO GAS	GAS TAP	
113	0215199700	052127	BICONO	DOUBLE CONE	
114	0853856400	0C0211	RIBALTA 1200mm	MANIFOLD 1200mm	b e h
	0853856301	0C0210	RIBALTA 800mm	MANIFOLD 800mm	a c d f g i
115	0516863900	0C0140	FILTRO GAS	FILTER	
116	0543829700	0C0188	GUARNIZIONE OR	O-RING GASKET	
117	0214162000	0C0121	RACCORDO X TERMOCOPPIA	NUT, THERMOCOUPLE	
118	0214164400	052125	RACCORDO	NUT	
119	0831800500	0C0202	TERMOCOPPIA	THERMOCOUPLE	
120	0806820902	0C0199	PILOTA	PILOT	
121	0515827401	053665	BICONO	DOUBLE CONE	
122	0835859300	0C0209	VALVOLA GAS	GAS VALVE	
123	0517808700	059161	BICONO	DOUBLE CONE	
124	0529836101	0C0170	CHIUSURA PER BRUCIATORE	OVEN BURNER TIGHTENER	
125	0830860902	059221	BRUCIATORE FORNO	OVEN BURNER	
126	0529835902	0C0168	CONVOGLIATORE	PROTECTION	
127	0529836000	0C0169	CHIUSURA PER CONVOGLIATORE	PROTECTION TIGHTENER	
128	0806836300	0C1323	CONDUTTURA FORNO	OVEN PIPE	TB01-04
129	0830884101	005503	PILOTA	PILOT	
130	0529836300	0C0172	PROTEZIONE PER PILOTA	PILOT PROTECTION	
131	0529836201	0C0171	SQUADRETTA PER PILOTA FORNO	PILOT HOLDER	
132	0214105101	020997	CONTRODADO PORTAUGELLO	LOCK NUT	
133	0511805401	059250	PORTAUGELLO	INJECTOR HOLDER	
134	0830827102	054085	AREATORE	AERATOR	
135	0214164101	057960	RACCORDO X ELETTRODO	CONNECTION, ELECTRODE	
136	0214162000	0C0121	RACC.FISSAGGIO TERMOCOPPIA	CONNECTION, THERMOCOUPLE	
137	0830852501	020094	TERMOCOPPIA	THERMOCOUPLE	
138	0830863300	059380	ELETTRODO DI ACCENSIONE	ELECTRODE	
139	0516869600	0C0150	BICONO	DOUBLE CONE	
140	0516869500	0C0149	RACCORDO 3/8"	CONNECTION 3/8"	
141	0529836600	0C0175	PARAFIAMMA	FIREPROOF	
142	0514862501	051950	RACCORDO 3/8"	CONNECTION 3/8"	
143	0215170716	050682	OGIVA	RING	
144	0215073101	060325	BICONO	DOUBLE CONE	
145	0214108111	0A2125	DADO	NUT	
146	0517870302	0C0153	CONDUTTURA PILOTA FORNO	OVEN PILOT PIPE	
147	0506833401	054029	GUARNIZIONE PER UGELLO	GASKET, NOZZLE	