

**TUTTAPIASTRA GAS E900XP
GAS SOLID TOP E900XP**

| PNC | Model | Ref | Pag. | Brand | Version | Notes |
|---------------|-------------------|----------|------------|------------|------------|---|
| 391018 | E9STGH1000 | a | 2-3 | ELX | GAS | 800 MM |
| 391019 | E9STGH10G0 | b | 2-3 | ELX | GAS | OVEN 800 MM |
| 391020 | E9STGH30G0 | c | 2-3 | ELX | GAS | 2 BURNERS+GAS OVEN 800MM |
| 391021 | E9STGL3010 | d | 2-3 | ELX | GAS | WITH 2 BURNERS+OVEN +CUPB.1200 |
| 391265 | E9STGLT01A | o | 2-3 | ELX | GAS | WITH 2 BURNERS+OVEN +CUPB.1200 AUSTRALIA |
| 392018 | Z9STGH1000 | e | 2-3 | ZAN | GAS | 800 MM |
| 392019 | Z9STGH10G0 | f | 2-3 | ZAN | GAS | OVEN 800 MM |
| 392020 | Z9STGH30G0 | g | 2-3 | ZAN | GAS | 2 BURNERS+GAS OVEN 800MM |
| 392021 | Z9STGL3010 | h | 2-3 | ZAN | GAS | WITH 2 BURNERS+OVEN +CUPB.1200 |
| 392265 | Z9STGLT01A | p | 2-3 | ZAN | GAS | WITH 2 BURNERS+OVEN +CUPB.1200 AUSTRALIA |
| 393018 | A9STGH1000 | i | 2-3 | OEM | GAS | 800 MM |
| 393019 | A9STGH10G0 | l | 2-3 | OEM | GAS | OVEN 800 MM |
| 393021 | A9STGL3010 | n | 2-3 | OEM | GAS | 2 BURNERS+OVEN +CUPB.1200 |

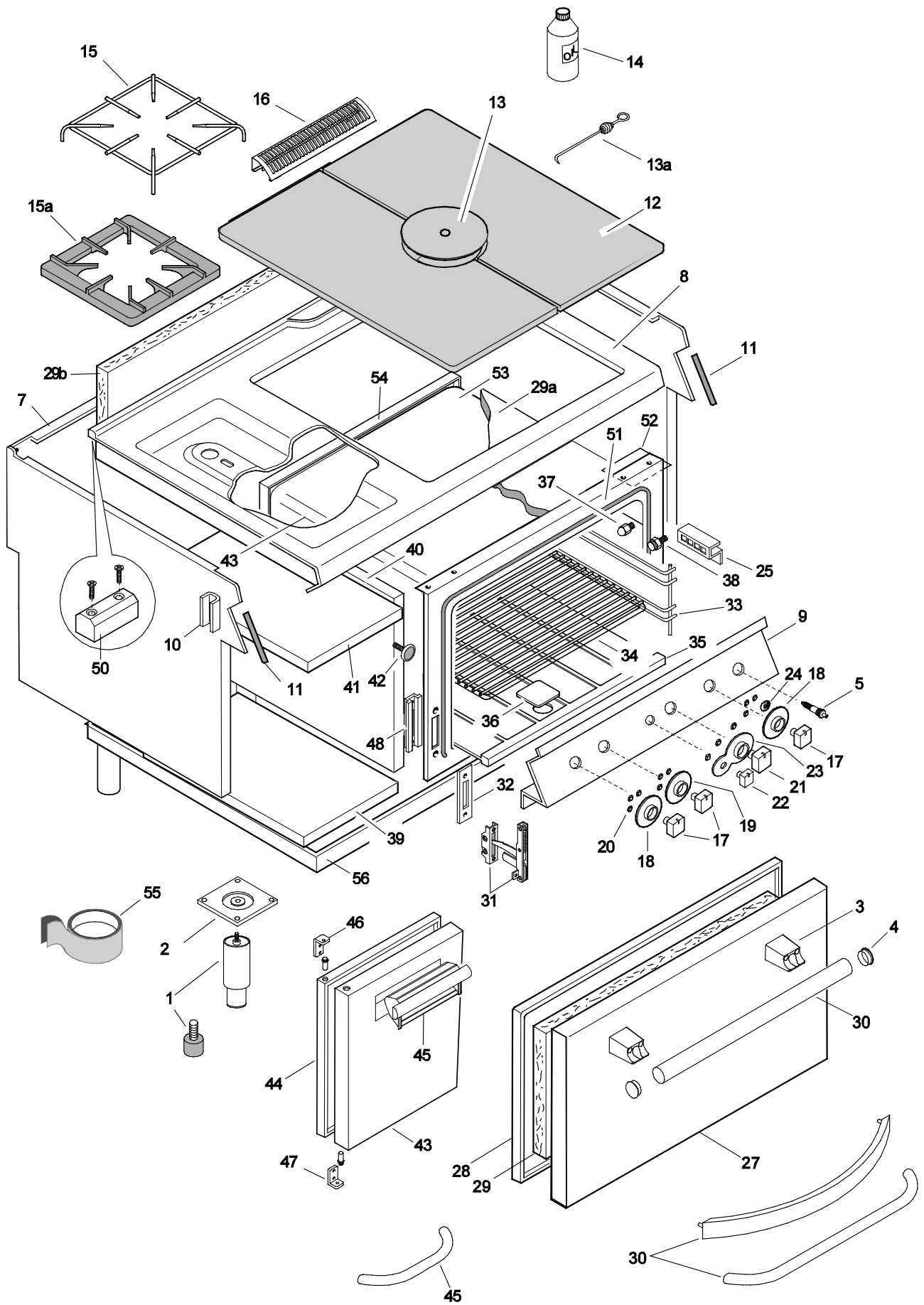
| Pag | Index | Indice | Note |
|------|-------------------|----------------------|------|
| 2 | General componets | Componenti struttura | |
| 3 | General componets | Componenti struttura | |
| 4 | Gas components | Componenti Gas | |
| 5-10 | Spare parts list | Lista ricambi | |

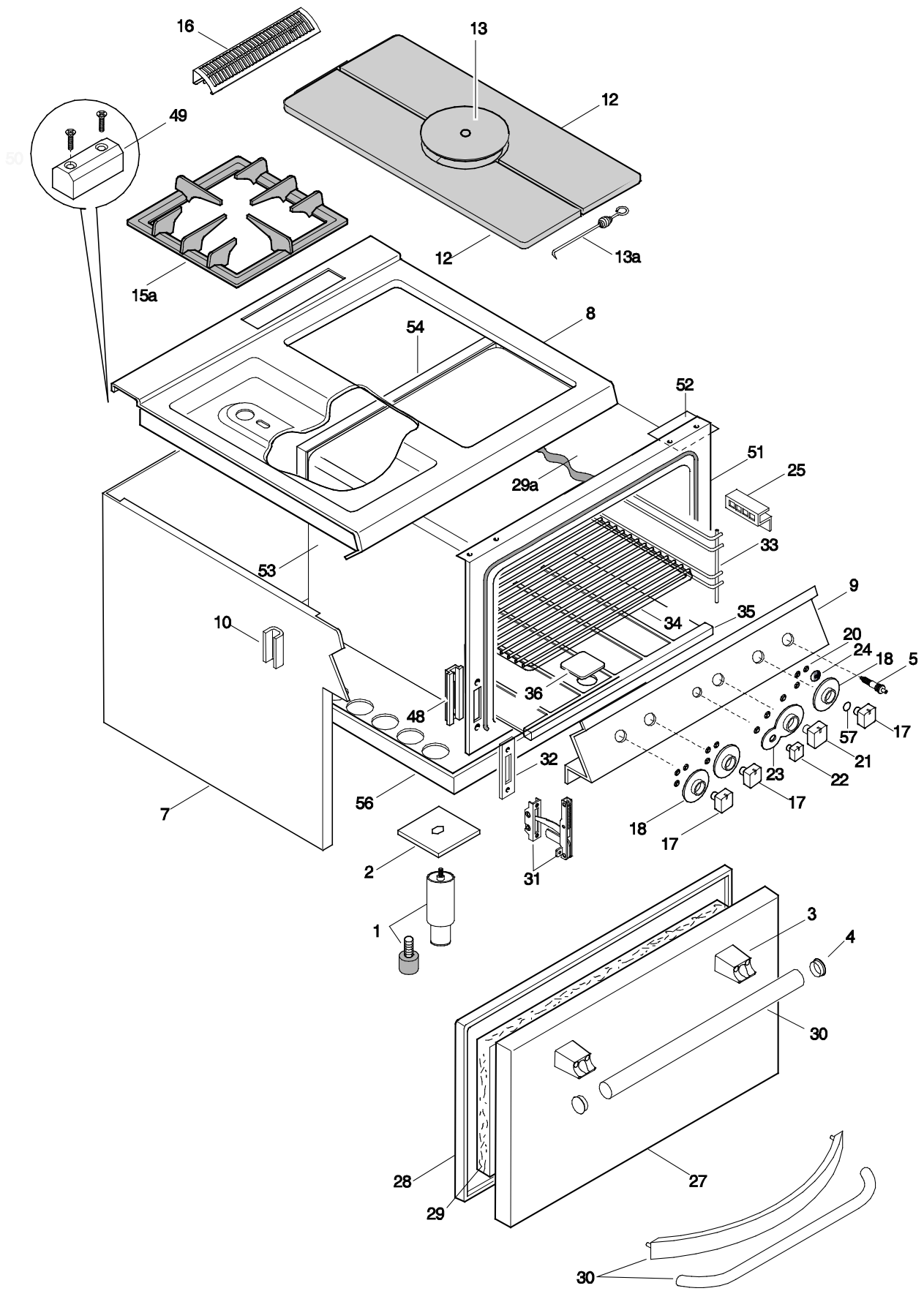
Brand/Marchio: All
Factory code: 9PDX

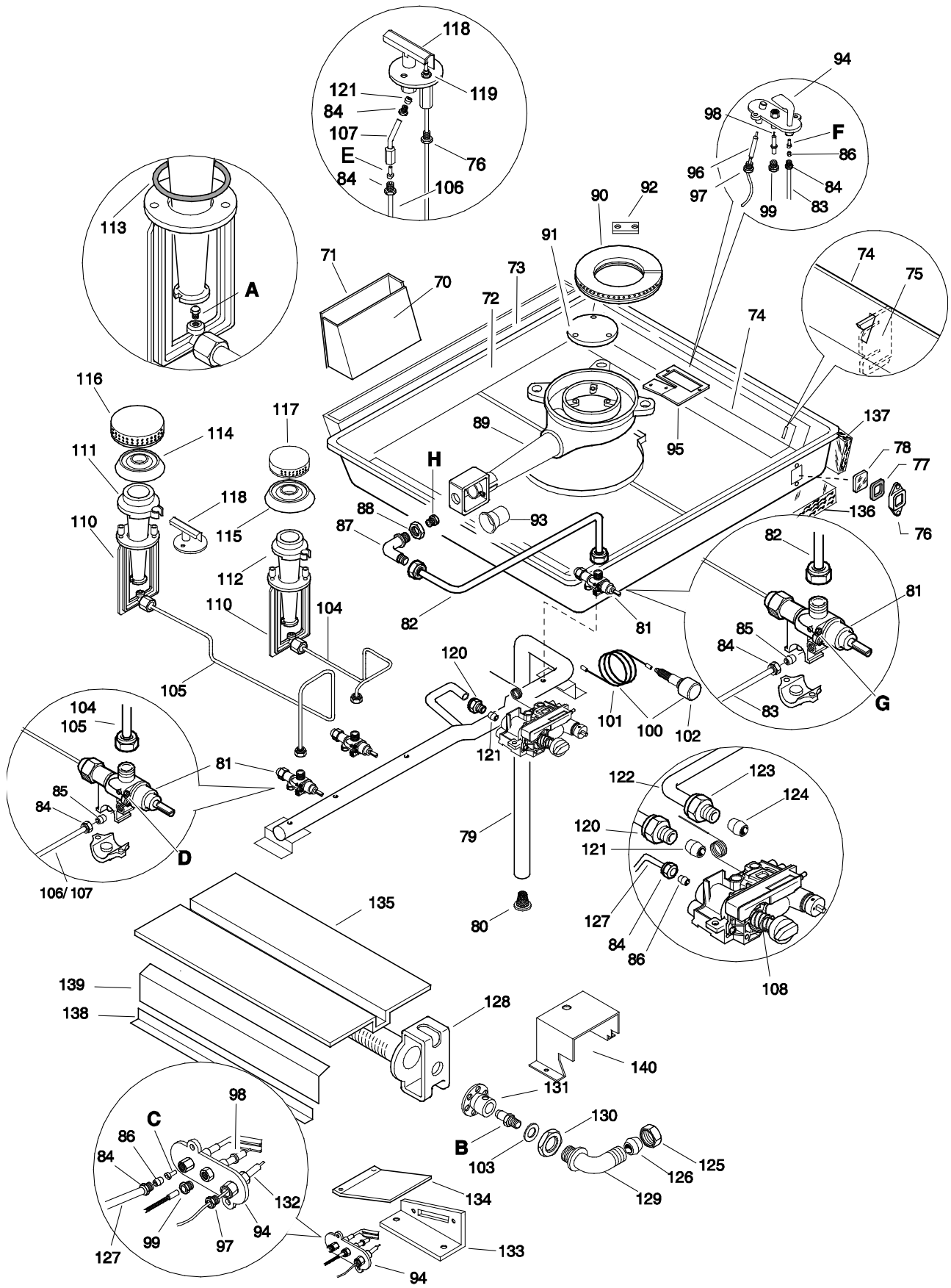
From sr. Nr/ Da Ser. Nr.: 016

Page: 1 Ed. 2015 08

Doc. Nr.: **059785GP00**







| A - Ugello bruciatore / Burner nozzle ø60 | | | |
|--|---------------------|--------|---------------------|
| Spare part code | Ref. / Notes | | |
| 0C0141 | ø1.95 | 2H/2E+ | G20 20mbar |
| 0C0143 | ø2.20 | 2ELL | G25 20mbar |
| 0C0142 | ø2.05 | 2L | G25 25mbar |
| 0A2077 | Ø1.85 | 2H | G20 25mbar |
| 0C0142 | Ø2.25 | 2S | G25.1 25mbar |
| 0A2101 | ø1.25 | 3+3B/P | G30/31 28-30/37mbar |
| 0C0147 | ø1.10 | 3B/P | G30/31 50mbar |
| 0A2650 | ø1.20 | 3B/P | G30 36mbar |
| 0A2083 | ø2.20 | No CE | G20 10mbar |
| 0C3657 | ø3.60 | 1a | G110 8mbar |
| 0C3658 | ø3.30 | 1b | G120 8mbar |

| A - Ugello bruciatore / Burner nozzle ø100 | | | |
|---|---------------------|--------|---------------------|
| Spare part code | Ref. / Notes | | |
| 0C0144 | ø2.60 | 2H/2E+ | G20 20mbar |
| 0C0146 | ø2.75 | 2ELL | G25 20mbar |
| 0C0145 | ø2.65 | 2L | G25 25mbar |
| 0C4154 | Ø2.60 | 2H | G20 25mbar |
| 0C4154 | Ø3.30 | 2S | G25.1 25mbar |
| 0A2089 | ø1.60 | 3+3B/P | G30/31 28-30/37mbar |
| 0C0148 | ø1.45 | 3B/P | G30/31 50mbar |
| 059384 | ø1.50 | 3B/P | G30 36mbar |
| 0A2868 | ø2.75 | No CE | G20 10mbar |
| 0C3655 | ø5.00 | 1a | G110 8mbar |
| 0C3656 | Ø4.40 | 1b | G120 8mbar |

| D - Vite di minimo / Min screw ø60 | | | |
|---|---------------------|--------|---------------------|
| Spare part code | Ref. / Notes | | |
| 002899 | Ø0.80 | 2H/2E+ | G20 20mbar |
| 002899 | Ø0.80 | 2ELL | G25 20mbar |
| 002899 | Ø0.80 | 2L | G25 25mbar |
| 002899 | Ø0.80 | 2H | G20 25mbar |
| 002899 | Ø0.80 | 2S | G25.1 25mbar |
| 002911 | Ø0.55 | 3+3B/P | G30/31 28-30/37mbar |
| 002925 | Ø0.50 | 3B/P | G30/31 50mbar |
| 002911 | Ø0.55 | 3B/P | G30 36mbar |
| 002899 | Ø0.80 | No CE | G20 10mbar |
| - | adjust | 1a | G110 8mbar |
| - | adjust | 1b | G120 8mbar |

| D - Vite di minimo / Min screw ø100 | | | |
|--|---------------------|--------|---------------------|
| Spare part code | Ref. / Notes | | |
| 002902 | Ø1.05 | 2H/2E+ | G20 20mbar |
| 002902 | Ø1.05 | 2ELL | G25 20mbar |
| 002902 | Ø1.05 | 2L | G25 25mbar |
| 002902 | Ø1.05 | 2H | G20 25mbar |
| 002902 | Ø1.05 | 2S | G25.1 25mbar |
| 002769 | Ø0.75 | 3+3B/P | G30/31 28-30/37mbar |
| 002991 | Ø0.65 | 3B/P | G30/31 50mbar |
| 002908 | Ø0.70 | 3B/P | G30 36mbar |
| 002902 | Ø1.05 | No CE | G20 10mbar |
| - | adjust | 1a | G110 8mbar |
| - | adjust | 1b | G120 8mbar |

| E - Pilota fuochi / Pilot nozzle open burner | | | |
|---|---------------------|--------|---------------------|
| Spare part code | Ref. / Notes | | |
| 053670 | n°41 | 2H/2E+ | G20 20mbar |
| 053670 | n°41 | 2ELL | G25 20mbar |
| 053670 | n°41 | 2L | G25 25mbar |
| 053670 | n°41 | 2H | G20 25mbar |
| 053670 | n°41 | 2S | G25.1 25mbar |
| 054593 | n°25 | 3+3B/P | G30/31 28-30/37mbar |
| 054593 | n°25 | 3B/P | G30/31 50mbar |
| 054593 | n°25 | 3B/P | G30 36mbar |
| 053670 | n°41 | No CE | G20 10mbar |
| 053669 | n°75 | 1a | G110 8mbar |
| 053669 | n°75 | 1b | G120 8mbar |

| G - Vite di minimo T.P. / Min screw SolidTop 1MODULO - 1 MODULE | | | |
|--|---------------------|--------|---------------------|
| Spare part code | Ref. / Notes | | |
| 006193 | ø1.60 | 2H/2E+ | G20 20mbar |
| 006193 | ø1.60 | 2ELL | G25 20mbar |
| 006193 | ø1.60 | 2L | G25 25mbar |
| 0C4152 | ø1.50 | 2H | G20 25mbar |
| 006193 | ø1.60 | 2S | G25.1 25mbar |
| 0C0800 | ø1.10 | 3+3B/P | G30/31 28-30/37mbar |
| 002926 | ø0.90 | 3B/P | G30 50mbar |
| 004595 | Ø1.00 | 3B/P | G30 36mbar |
| 006193 | ø1.60 | No CE | G20 10mbar |
| - | adjust | 1a | G110 8mbar |
| | | 1b | G120 8mbar |

| G - Vite di minimo T.P. / Min screw SolidTop 1/2MODULO - 1/2 MODULE | | | |
|--|---------------------|--------|---------------------|
| Spare part code | Ref. / Notes | | |
| - | - | 2H/2E+ | G20 20mbar |
| * | Ø1.30 | 2ELL | G25 20mbar |
| * | Ø1.30 | 2L | G25 25mbar |
| 002928 | Ø1.20 | 2H | G20 25mbar |
| 002928 | Ø1.20 | 2S | G25.1 25mbar |
| - | - | 3+3B/P | G30/31 28-30/37mbar |
| 002908 | Ø0.70 | 3B/P | G30 50mbar |
| 002899 | Ø0.80 | 3B/P | G30 36mbar |
| * | Ø1.30 | No CE | G20 10mbar |
| - | - | 1a | G110 8mbar |
| - | - | 1b | G120 8mbar |

| F - Pilota TuttaPiastra / Pilot nozzle SolidTop | | | |
|--|---------------------|--------|---------------------|
| Spare part code | Ref. / Notes | | |
| 059215 | n°27 | 2H/2E+ | G20 20mbar |
| 059215 | n°27 | 2ELL | G25 20mbar |
| 059215 | n°27 | 2L | G25 25mbar |
| 059215 | n°27 | 2H | G20 25mbar |
| 059215 | n°27 | 2S | G25.1 25mbar |
| 059216 | n°14 | 3+3B/P | G30/31 28-30/37mbar |
| 059216 | n°14 | 3B/P | G30 50mbar |
| 059216 | n°14 | 3B/P | G30 36mbar |
| 059215 | n°27 | No CE | G20 10mbar |
| 059381 | n°75 | 1a | G110 8mbar |
| | | 1b | G120 8mbar |

| H - Ugello TuttaPiastra / Burner nozzle SolidTop 1/2MODULO - 1/2 MODULE | | | | | |
|--|--------------|--------|---------------------|--------------------|---------------|
| Spare part code | Ref. / Notes | | | Ref APPLIANCE | Air regulator |
| - | - | 2H/2E+ | G20 20mbar | | |
| 058375 | Ø1.90 | 2ELL | G25 20mbar | | |
| 056793 | Ø1.80 | 2L | G25 25mbar | | |
| 0A2141 | Ø1.65 | 2H | G20 25mbar | | |
| 0A2077 | Ø1.85 | 2S | G25.1 25mbar | | |
| - | - | 3+3B/P | G30/31 28-30/37mbar | | |
| 059328 | Ø1.05 | 3B/P | G30 50mbar | | |
| 059314 | Ø1.15 | 3B/P | G30 36mbar | | |
| 0A2105 | Ø2.10 | No CE | G20 10mbar | | |
| A05257400 | Ø6.50 | 1a | G110 8mbar | a,b,c,e, f,g,i,j,l | 28mm |
| A05257400 | Ø6.50 | 1a | G120 8mbar | a,b,c,e, f,g,i,j,l | 28mm |

| H - Ugello TuttaPiastra / Burner nozzle SolidTop 1MODULO - 1 MODULE | | | | | |
|--|-------------|--------|---------------------|---------------|---------------|
| Spare part code | Ref./ Notes | | | Ref APPLIANCE | Air regulator |
| 058980 | ø2.45 | 2H/2E+ | G20 20mbar | | |
| 056795 | Ø2.70 | 2ELL | G25 20mbar | | |
| 059529 | Ø2.55 | 2L | G25 25mbar | | |
| 0A2081 | Ø2.30 | 2H | G20 25mbar | | |
| 0A2174 | Ø2.65 | 2S | G25.1 25mbar | | |
| 0A2089 | ø1.60 | 3+3B/P | G30/31 28-30/37mbar | | |
| 0A2082 | Ø1.40 | 3B/P | G30/31 50mbar | | |
| 0A2103 | Ø1.55 | 3B/P | G30 36mbar | | |
| 006470 | Ø2.95 | No CE | G20 10mbar | | |
| 058628 | ø5.50 | 1a | G110 8mbar | d,h,n | 28mm |
| 058628 | - | 1b | G120 8mbar | d,h,n | 28mm |

| C - Ugello pilota FORNO / Pilot nozzle OVEN | | | | |
|---|--------------|--------|---------------------|---------------|
| Spare part code | Ref. / Notes | | | Ref APPLIANCE |
| 059215 | n°27 | 2H/2E+ | G20 20mbar | |
| 059215 | n°27 | 2ELL | G25 20mbar | |
| 059215 | n°27 | 2L | G25 25mbar | |
| 059215 | n°27 | 2S | G25.1 25mbar | |
| 059216 | n°14 | 3+3B/P | G30/31 28-30/37mbar | |
| 059216 | n°14 | 3B/P | G30/31 50mbar | |
| 059216 | n°14 | 3B/P | G30 36mbar | |
| 059215 | n°27 | No CE | G20 10mbar | |
| 059356 | n°50 | 1a | G110 8mbar | a,e |
| 059356 | n°50 | 1b | G120 8mbar | a,e |
| 059381 | n°50 | 1a | G110 8mbar | c,g |
| 059381 | n°50 | 1b | G120 8mbar | c,g |

**TUTTAPIASTRA GAS E900XP
GAS SOLID TOP E900XP**

| Pos | Factory Code | Spare part code | Descrizione | Description | Ref./Note |
|-----------|------------------|-----------------|--------------------------------------|--|------------|
| | | | Pagine 2-3 | Pages 2-3 | |
| 1 | 315252601 | 026806 | PIEDINO CON VITE | SCREW FOOT FOR TOP | TOP |
| 1 | 835856900 | 0C0204 | PIEDE | FOOT | |
| 2 | 50589CD00 | * | PIASTRA DI RINFORZO PER PIEDE | PLATE FOR FOOT | |
| 3 | 530R01701 | 0C6891 | BLOCCHETTO MANIGLIA | HANDLE SUPPORT | ELX |
| 4 | 530R01801 | 0C6823 | TAPPO CHIUSURA MANIGLIA | STOPPER FOR HANDLE | ELX |
| 5 | 835829600 | 059251 | ACCENDITORE | IGNITER | |
| 6 | 147018072 | 0C1289 | ADESIVO STRUTTURALE | STRUCTURAL ADHESIVE TAPE | |
| 7 | 85089DS01 | * | FASCIA TOP 800 | PANEL TOP 800 | ELX |
| 7 | 85089DZ01 | * | FASCIA MONOBLOCCO 800 | PANEL FREESTANDING 800 | ELX |
| 7 | 85089F001 | * | FASCIA MONOBLOCCO 1200 | PANEL FREESTANDING 1200 | ELX |
| 7 | 85089DV01 | * | FASCIA TOP 800 | PANEL TOP 800 | ZAN, OEM |
| 7 | 85089F401 | * | FASCIA MONOBLOCCO 800 | PANEL FREESTANDING 800 | ZAN, OEM |
| 7 | 85089F501 | * | FASCIA MONOBLOCCO 1200 | PANEL FREESTANDING 1200 | ZAN, OEM |
| 8 | 87089BT00 | 0C7279 | RIPIANO TUTTAPIASTRA 800 | WORKTOP SOLIDTOP 800 | ELX |
| 8 | 87089BU00 | 0C7280 | RIPIANO 2 BRUC + FORNO800 | WORKTOP 2 BRUC + FORNO800 | ELX |
| 8 | 87089BV00 | 0C7281 | RIPIANO 2 BRUC + FORNO1200 | WORKTOP 2 BUR + OVEN 1200 | ELX |
| 8 | 87089M300 | 0C7288 | RIPIANO 2 BRUC + FORNO800 | WORKTOP SOLIDTOP 800 | ZAN, OEM |
| 8 | 87089M400 | 0C7289 | RIPIANO SIMPLE SERVICE 800 | WORKTOP 2 BRUC + FORNO 800 | ELX |
| 8 | 87089M500 | 0C7290 | RIPIANO 2 BRUC + FORNO1200 | WORKTOP 2 BUR + OVEN 1200 | ZAN, OEM |
| 9 | 85089C900 | 0C7301 | CRUSCOTTO TUTTAPIASTRA TOP | CONTROL PANEL SOLID TOP | ELX |
| 9 | 85089CA00 | 0C7259 | CRUSCOTTO TUTTAP. su FORNO | CONT. PANEL SOLID TOP on OVEN | ELX |
| 9 | 85089CB00 | 0C7260 | CRUSCOTTO 2 BRUC + FORNO800 | CRUSCOTTO 2 BRUC + FORNO800 | ELX |
| 9 | 85089CC00 | 0C7261 | CRUSCOTTO 2 BRUC + FORNO1200 | CONTR. PANEL 2 BUR + OVEN 1200 | ELX |
| 9 | 85089H900 | 0C7304 | CRUSCOTTO TUTTAPIASTRA TOP | CONTROL PANEL SOLID TOP | ZAN |
| 9 | 85089HA00 | 0C7265 | CRUSCOTTO TUTTAP. su FORNO | CONT. PANEL SOLID TOP on OVEN | ZAN |
| 9 | 85089HB00 | 0C7266 | CRUSCOTTO 2 BRUC + FORNO800 | CONTR. PANEL 2 BUR + OVEN 800 | ZAN |
| 9 | 85089HC00 | 0C7267 | CRUSCOTTO 2 BRUC + FORNO1200 | CONTR. PANEL 2 BUR + OVEN 1200 | ZAN |
| 9 | 50389RY00 | 0C8034 | CRUSCOTTO TUTTAPIASTRA TOP | CONTROL PANEL SOLID TOP | OEM |
| 9 | 50389RZ00 | 0C8035 | CRUSCOTTO TUTTAP. su FORNO | CONT. PANEL SOLID TOP on OVEN | OEM |
| 9 | 50389S000 | * | CRUSCOTTO 2 BRUC + FORNO800 | CONTR. PANEL 2 BUR + OVEN 800 | OEM |
| 9 | 50389S100 | 0C8036 | CRUSCOTTO 2 BRUC + FORNO1200 | CONTR. PANEL 2 BUR + OVEN 1200 | OEM |
| 10 | 527850500 | 0C0156 | PIASTRA FISSAGGIO FIANCHI | SIDE PANEL JOINTING PLATE | |
| 11 | 140088006 | 0L0113 | GUARNIZIONE CRUSCOTTO | GASKET, CONTROL PANEL | |
| 12 | 510821301 | 0C0787 | SEMIPIASTRA GHISA | HALF PLATE CAST IRON | 1 MODULE |
| 12 | 510822000 | 0C7126 | SEMIPIASTRA GHISA | HALF PLATE CAST IRON | ½ MODULE |
| 13 | 210021601 | 026953 | DISCO RADIANTE | DISK, PLATE | |
| 13a | 330294200 | 001158 | GANCIO SOLLEVADISCO | RINGS HOOK | |
| 14 | 167098028 | * | OLIO PROTETTIVO | PROTECTIVE OIL | |
| 15 | 510821002 | 0C1985 | GRIGLIA ACCIAIO FUOCHI APERTI | STAINLESS STEEL GRATE OPEN BUR. | ELX |
| 15 | 510819606 | 0C1278 | GRIGLIA ACCIAIO FUOCHI APERTI | STAINLESS STEEL GRATE OPEN BUR. | ZAN |
| 15a | 510819903 | 0C0132 | GRIGLIA GHISA FUOCHI APERTI | CAST IRON GRATE OPEN BURNER | CAST IRON |
| 16 | 50389LP00 | 0C7333 | GRIGLIA CAMINO | GRID CHIMNEY | |
| 17 | 511850D02 | 0C7330 | MANOPOLA PER RUBINETTO GAS | KNOB, GAS COCK | ELX |
| 17 | 548878101 | 0C7425 | MANOPOLA PER RUBINETTO GAS | KNOB, GAS COCK | ZAN |
| 17 | 548865700 | 0C1380 | MANOPOLA PER RUBINETTO GAS | KNOB, GAS COCK | OEM |
| 18 | 548876S01 | 0C6671 | GHIERA FUOCO ANTERIORE | RING KNOB, FRONT BURNER | ELX |
| 18 | 548879F00 | 0C7243 | GHIERA FUOCO ANTERIORE | RING KNOB, FRONT BURNER | ZAN, OEM |
| 19 | 548876T01 | 0C7332 | GHIERA FUOCO POSTERIORE | RING KNOB, REAR BURNER | ELX |
| 19 | 548879G00 | 0C7244 | GHIERA FUOCO POSTERIORE | RING KNOB, REAR BURNER | ZAN, OEM |
| 20 | 218912211 | 069567 | MOLLETTA PER GHIERA | RING, RING KNOB | |
| 21 | 511850D02 | 0C7330 | MANOPOLA PER TERMOST. VALVOLA | KNOB, GAS VALVE THERMOSTAT | ELX |
| 21 | 548877Z01 | 0C7179 | MANOPOLA PER TERMOST. VALVOLA | KNOB, GAS VALVE THERMOSTAT | ZAN |
| 21 | 548872700 | 0C5252 | MANOPOLA PER TERMOST. VALVOLA | KNOB, GAS VALVE THERMOSTAT | OEM |
| 22 | 548863303 | 0C2021 | MANOPOLA ACCENDITORE VALV. | KNOB. GAS VALVE IGNITER | ELX |
| 22 | 548878303 | 0C7181 | MANOPOLA ACCENDITORE VALV. | KNOB. GAS VALVE IGNITER | ZAN |

**TUTTAPIASTRA GAS E900XP
GAS SOLID TOP E900XP**

| <i>Pos</i> | <i>Factory Code</i> | <i>Spare part code</i> | <i>Descrizione</i> | <i>Description</i> | <i>Ref./Note</i> |
|------------|---------------------|------------------------|--------------------------------|------------------------------|----------------------|
| 22 | 548856603 | 0C0190 | MANOPOLA ACCENDITORE VALV. | KNOB. GAS VALVE IGNITER | OEM |
| 23 | 548877401 | 0C7342 | GHIERA PER VALVOLA FORNO | KNOB RING. GAS VALVE OVEN | ELX |
| 23 | 548879700 | 0C7241 | GHIERA PER VALVOLA FORNO | KNOB RING. GAS VALVE OVEN | ZAN, OEM |
| 24 | 541813800 | 0C6171 | RONDELLA SILICONE | SILICONE GASKET | |
| 25 | 538831100 | 0C6445 | GRIGLIA PROTEZIONE BULBO | GRILL, PROTECTION PROBE | |
| 27 | 50389G501 | 0C7272 | PORTA FORNO | DOOR, OVEN | |
| 28 | 50389G600 | 0C7273 | CONTROPORTA | INNER DOOR OVEN | |
| 29 | 560839601 | 0C0197 | ISOLAMENTO PORTA FORNO | INSULATION, OVEN DOOR | |
| 29a | 560839400 | 0C0195 | ISOLAMENTO FORNO | INSULATION, OVEN | |
| 29b | 560839502 | 0C0196 | ISOLAMENTO SCHIENA FORNO | INSULATION, BACK OVEN | |
| 30 | 51589A500 | 0C7274 | MANIGLIA FORNO | HANDLE, OVEN DOOR | ELX |
| 30 | 51589A601 | 0C7226 | MANIGLIA FORNO | HANDLE, OVEN DOOR | ZAN |
| 30 | 83089FY00 | 0C7946 | MANIGLIA FORNO | HANDLE, OVEN DOOR | OEM |
| * | 85589A300 | 0C7271 | ASSIEME PORTA FORNO | COMPLETE DOOR | ELX |
| * | 85589CH01 | 0C7276 | ASSIEME PORTA FORNO | COMPLETE DOOR | ZAN |
| * | 85589CQ00 | 0C7278 | ASSIEME PORTA FORNO | COMPLETE DOOR | OEM |
| 31 | 835848100 | 0C0203 | CERNIERA PORTA FORNO | HINGE, OVEN DOOR | |
| 32 | 205075423 | 052725 | COPRICERNIERA | HINGE COVER | |
| 33 | 51489AH00 | 0C7335 | GUIDA PER GRIGLIA FORNO | GRATE LEADING | |
| 34 | 330260843 | 025020 | GRIGLIA FORNO | GRID; OVEN | |
| 34 | 856814402 | 0C6455 | GRIGLIA FORNO | GRID; OVEN | AUSTRALIA |
| 35 | 510818901 | 0C0123 | SUOLA | SOLE | |
| 36 | 800833100 | 0C0198 | COPERTURA FORO PILOTA | COVERING, PILOT | |
| 39 | 529852304 | 0C0183 | FONDO VANO | BOTTOM PANEL CUPBOARD | |
| 40 | 529852404 | 0C0184 | FIANCO DESTRO VANO | RIGHT SIDE PANEL CUPBOARD | |
| 41 | 529852505 | 0C0185 | CIELO VANO | TOP PANEL CUPBOARD | |
| 42 | 830898200 | 0C0201 | MAGNETE PORTA | MAGNET, DOOR | |
| 43 | 50389G300 | 0C7157 | PORTA SINISTRA | LEFT DOOR, CUPBOARD | |
| 44 | 50489CQ00 | 0C7158 | CONTROPORTA | INNER DOOR | |
| 45 | 51589A700 | 0C7164 | MANIGLIA PORTA SINISTRA | HANDLE, LEFT DOOR | ELX up to 247 |
| 45 | 54887AH00 | 0C8769 | MANIGLIA PORTA SINISTRA | HANDLE, LEFT DOOR | ELX from 248 |
| 45 | 54887A801 | 0C8190 | MANIGLIA PORTA SINISTRA | HANDLE, LEFT DOOR | ZAN |
| 45 | 854864203 | 0A5021 | MANIGLIA PORTA SINISTRA | HANDLE, LEFT DOOR | OEM |
| * | 85589CT03 | 0C7163 | ASSIEME PORTA VANO | COMPLETE DOOR | ELX |
| * | 85589CU04 | 0C7165 | ASSIEME PORTA VANO | COMPLETE DOOR | ZAN |
| * | 85589CV00 | 0C7627 | ASSIEME PORTA VANO | COMPLETE DOOR | OEM |
| 46 | 516860801 | 0C0138 | CERNIERA INFERIORE DESTRA | BOTTOM HINGE, RIGHT | |
| 47 | 516860901 | 0C0139 | CERNIERA SUPERIORE DESTRA | TOP HINGE, RIGHT | |
| 48 | 529835404 | 0C0165 | SUPPORTO CERNIERA FORNO | SUPPORT FOR HINGE, DOOR OVEN | |
| 50 | 516860702 | 0C0137 | PIASTRA GIUNZIONE APPARECC. | JOINTING REAR PLATE | |
| 51 | 870838207 | 0C0218 | FACCIATA FORNO 800mm | FRONT OVEN 800mm | WITH OVEN |
| 51 | 870838307 | 0C0219 | FACCIATA FORNO 1200mm | FRONT OVEN 1200mm | WITH OVEN |
| 52 | 529850501 | 0C0182 | PIASTRINA FACCIATA FIANCO | PLATE FRONT OVEN | WITH OVEN |
| 53 | 529835509 | 0C0166 | INVOLUCRO FORNO | GAS OVEN SHELL | WITH OVEN |
| 54 | 529835705 | 0C0167 | SCHIENALE FORNO GAS | REAR SIDE PANEL OVEN | WITH OVEN |
| 55 | 147018072 | 006451 | NASTRO ADESIVO ALLUMINIO | BAND | WITH OVEN |
| 56 | 529881707 | 0C0234 | FONDO TOP 800mm | BORROM PANEL TOP 800mm | TOP |
| 56 | 5038A1Z00 | * | FONDO MONOBLOCCO 800mm | BOTTOM PANEL FREEST. 800mm | FREESTANDING |
| 56 | 5038A2000 | * | FONDO MONOBLOCCO 1200mm | BOTTOM PANEL FREEST. 1200mm | FREESTANDING |
| | | | Pagina 4 | Page 4 | |
| 70 | 529836403 | 0C0173 | ANTERIORE CAMINO FORNO | FRONT CHIMNEY OVEN | |
| 71 | 529836503 | 0C0174 | POSTERIORE CAMINO FORNO | REAR CHIMNEY OVEN | |
| 72 | 524892504 | 0C0788 | CAMERA COMBUSTIONE | COMBUSTION CHAMBER | |
| 73 | 524892601 | 0C0789 | ANTERIORE CAMINO | FRONT PANEL CHIMNEY | |
| 74 | 524895802 | 0C0790 | PANNELLO PROTEZIONE LATERALE | PROTECTION SIDE PANEL | |
| 75 | 524892901 | * | DISTANZIALE PANN. PROT.LAT. | SPACER, PROTEC.SIDE PANEL | |
| 76 | 206260400 | 057382 | CORNICE VETRINO SPIA | FRAME, INSPECTION GLASS | |
| 77 | 282217401 | 057402 | GUARNIZIONE VETRINO SPIA | GASKET, INSPECTION GLASS | |

**TUTTAPIASTRA GAS E900XP
GAS SOLID TOP E900XP**

| <i>Pos</i> | <i>Factory Code</i> | <i>Spare part code</i> | <i>Descrizione</i> | <i>Description</i> | <i>Ref./Note</i> |
|------------|---------------------|------------------------|-------------------------------|------------------------------------|------------------|
| 78 | 275290025 | 057400 | VETRINO SPIA | INSPECTION GLASS | |
| 79 | 853864302 | 0C0792 | RIBALTA TUTTAPIASTRA TOP | MANIFOLD SOLIDTOP | |
| 79 | 853864402 | 0C0793 | RIBALTA TUTTAPIASTRA SU FORNO | MANIFOLD SOLIDTOP on OVEN | |
| 79 | 853864502 | 0C0794 | RIBALTA SIMPLESERVICE | MANIFOLD SIMPLESERVICE | |
| 80 | 516863902 | 0C0140 | FILTRO | FILTER | |
| 81 | 835857202 | 0C0205 | RUBINETTO GAS | GAS TAP | |
| 82 | 835861304 | 0C0795 | CONDUTTURA BRUCIATORE | GAS PIPE, BURNER | |
| 83 | 517879001 | 0C0796 | CONDUTTURA PILOTA | GAS PIPE, PILOT | |
| 84 | 214164400 | 052125 | RACCORDO PILOTA | PIPE FITTING PILOT PIPE | |
| 85 | 215199700 | 052127 | BICONO RUBINETTO | DOUBLE CONE, GAS TAP | |
| 86 | 517808700 | 059161 | BICONO PILOTA | DOUBLE CONE, PILOT | |
| 87 | 511805801 | 059375 | PORTAUGELLO | INJECTOR HOLDER | |
| 88 | 214105101 | 020997 | CONTRODADO PORTAUGELLO | LOCK NUT, INJECTOR HOLDER | |
| 89 | 830865104 | 059374 | BRUCIATORE | BURNER | |
| 90 | 210942401 | 052377 | SPARTIFIAMMA | FLAME SPREADER | |
| 91 | 206117200 | 052374 | DISCO PER BRUCIATORE | DISK, BURNER | |
| 92 | 206410400 | 052500 | TEGOLO | CONTACTOR | |
| 93 | 215086000 | 051774 | BOCCOLA | BUSH | |
| 94 | 830884101 | 005503 | PILOTA | PILOT BURNER | |
| 95 | 524893000 | 0C0797 | SUPPORTO PILOTA | HOLDER PILOT | |
| 96 | 831800500 | 0C0202 | TERMOCOPPIA | THERMOCOUPLE | |
| 97 | 214162000 | 0C0121 | RACCORDO TERMOCOPPIA | PIPE FITTING, THERMOCOUPLE | |
| 98 | 830863300 | 059380 | ELETTRODO | ELECTRODE | |
| 99 | 214164101 | 057960 | RACCORDO ELETTRODO | PIPE FITTING, ELECTRODE | |
| 100 | 835834900 | 002605 | ACCENDITORE PIEZO | PIEZOELECTRIC IGNITER | |
| 101 | 638883500 | 006514 | CAVO | IGNITION CABLE | |
| 102 | 541809000 | 002816 | COPERTURA PULSANTE PIEZO | COVER, PIEZO | |
| 103 | 506833401 | 054029 | GUARNIZIONE UGELLO | GASKET, INJECTOR | |
| 104 | 835857406 | 0C0206 | CONDUTTURA ANTERIORE FUOCHI | PIPE, FRONTAL OPEN BURNER | |
| 105 | 835857506 | 0C0207 | CONDUTTURA POSTERIORE FUOCHI | PIPE, REAR OPEN BURNER | |
| 106 | 544820700 | 0C3647 | CONDUTTURA ANTERIORE PILOTA | PIPE, FRONTAL PILOT | |
| 106 | 544821100 | 0C3648 | CONDUTTURA POSTERIORE PILOTA | PIPE, REAR PILOT | |
| 107 | 510823900 | 0C3643 | RACCORDO INFERIORE PILOTA | INFERIOR PILOT JUNCTION | |
| 108 | 835859301 | 0C0209 | VALVOLA GAS MERTIK | GAS VALVE MERTIK | |
| 109 | 515827401 | 053665 | BICONO | DOUBLE CONE | |
| 110 | 510819004 | 0C0124 | SUPPORTO VENTURI | SUPPORT, VENTURI | |
| 111 | 510820602 | 0C0133 | VENTURI 10 KW | VENTURI, 10 KW | |
| 112 | 510819103 | 0C0125 | VENTURI 6 KW | VENTURI, 6 KW | |
| 113 | | 0C0188 | GUARNIZIONE OR | O RING | |
| 114 | 510819203 | 0C0126 | CORPO BRUCIATORE 10 KW | BURNER 10 KW | |
| 115 | 510819303 | 0C0127 | CORPO BRUCIATORE 6KW | BURNER 6KW | |
| 116 | 510819401 | 0C0128 | SPARTIFIAMMA; 10 KW | FLAME SPREADER 10 KW | |
| 117 | 510819501 | 0C0129 | SPARTIFIAMMA 6kW | FLAME SPREADER 6kW | |
| 118 | 830884101 | 005503 | PILOTA | PILOT BURNER | |
| 119 | 831800500 | 0C0202 | TERMOCOPPIA | THERMOCOUPLE | |
| 120 | 514862501 | 051950 | RACCORDO VALVOLA - RIBALTA | PIPE FITTING, MAINFOLD - GAS VALVE | |
| 121 | 215170716 | 050682 | OGIVA VALVOLA - RIBALTA | RING , MAINFOLD - GAS VALVE | |
| 122 | 835857602 | 0C0208 | CONDUTTURA FORNO | PIPE, OVEN | |
| 123 | 516869500 | 0C0149 | RACCORDO VALVOLA - COND.FORNO | PIPE FITTING, GAS VALVE - OVEN | |
| 124 | 516869600 | 0C0150 | BICONO VALVOLA - COND.FORNO | DOUBLE CONE, GAS VALVE - OVEN | |
| 125 | 514829301 | 0A2125 | DADO, CONDUTTURA FORNO | NUT, OVEN PIPE | |
| 126 | 215073101 | 060325 | BICONO, CONDUTTURA FORNO | DOUBLE CONE, OVEN PIPE | |
| 127 | 544820800 | 0C0153 | CONDUTTURA PILOTA | PIPE, PILOT | |
| 128 | 830860902 | 059221 | BRUCIATORE FORNO | OVEN BURNER | |
| 129 | 511805401 | 059250 | PORTAUGELLO | INJECTOR HOLDER | |
| 130 | 214105101 | 020997 | CONTRODADO | LOCK NUT | |
| 131 | 830827102 | 054085 | AREATORE | AREATOR | |
| 132 | 830852501 | 020094 | TERMOCOPPIA FORNO | THERMOCOUPLE OVEN | |

**TUTTAPIASTRA GAS E900XP
GAS SOLID TOP E900XP**

| <i>Pos</i> | <i>Factory Code</i> | <i>Spare part code</i> | <i>Descrizione</i> | <i>Description</i> | <i>Ref./Note</i> |
|------------|---------------------|------------------------|-----------------------------|-----------------------|------------------|
| 133 | 529836201 | 0C0171 | SQUADRETTA PILOTA | BRACKET, PILOT | |
| 134 | 529836300 | 0C0172 | PROTEZIONE PILOTA | PROTECTION, PILOT | |
| 135 | 529836602 | 0C0175 | PARAFIAMMA BRUCIATORE FORNO | FLAME SPREADER, OVEN | |
| 136 | 560842403 | 0C0798 | ISOLAMENTO CENTRALE | CENTRAL INSULATION | |
| 137 | 560839400 | 0C0195 | ISOLAMENTO LATERALE | SIDES INSULATION | |
| 138 | 529835902 | 0C0168 | CONVOGLIATORE BRUCIATORE | PROTECTION, BURNER | |
| 139 | 529836000 | 0C0169 | CHIUSURA PER CONVOGLIATORE | PROTECTION TIGHTENER | |
| 140 | 529836101 | 0C0170 | CHIUSURA PER BRUCIATORE | OVEN BURNER TIGHTENER | |