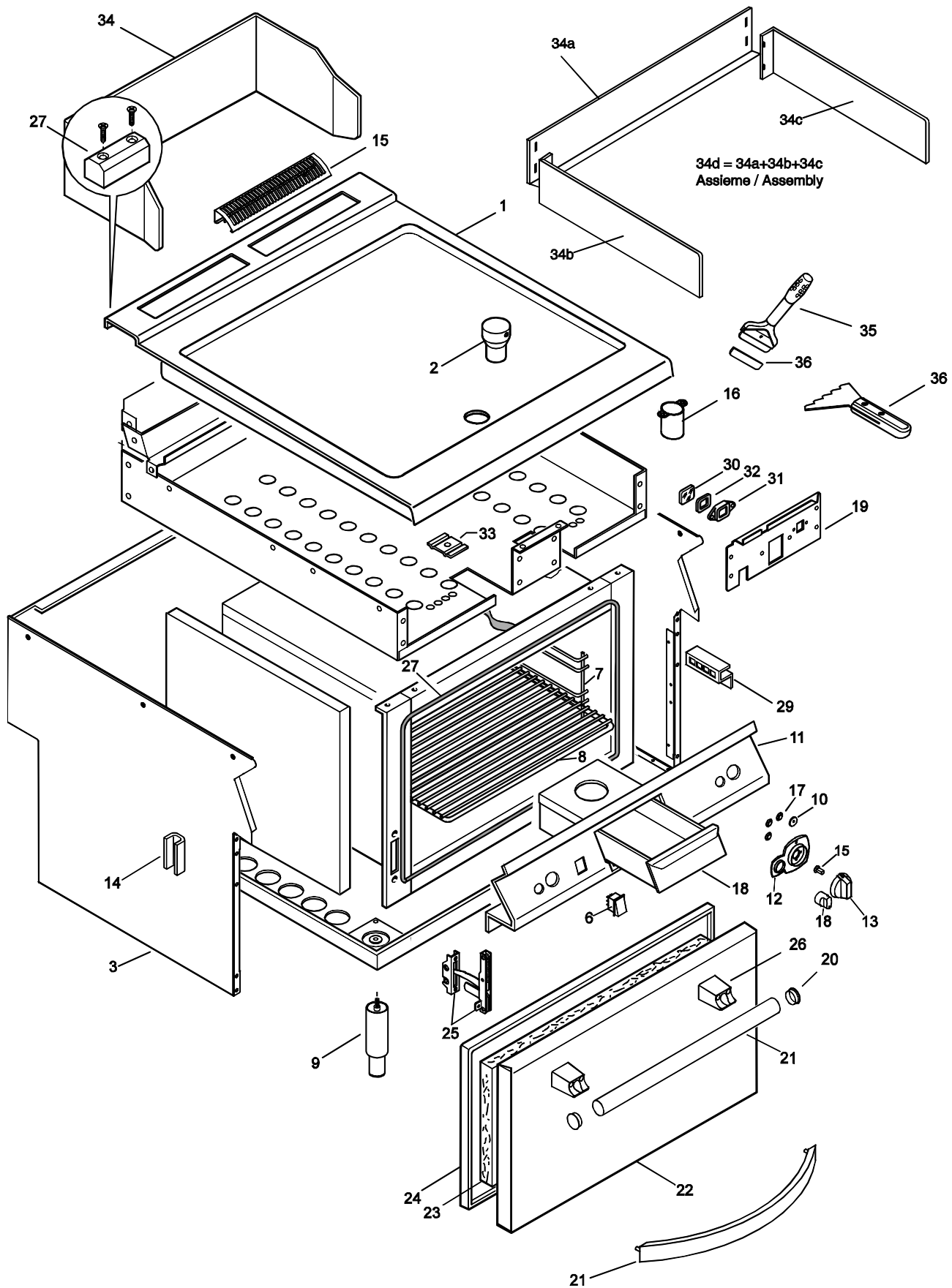


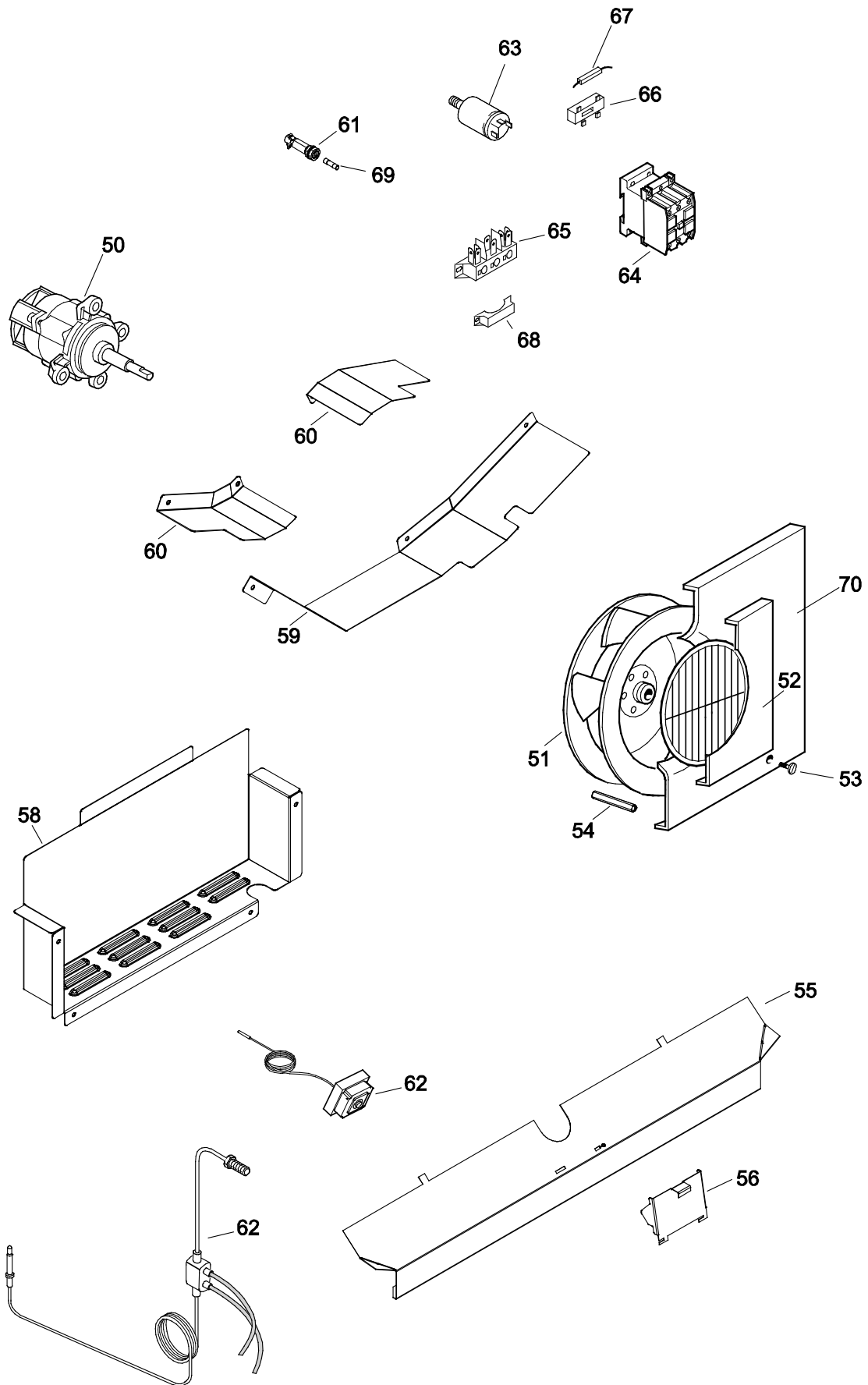
**FRYTOP GAS + FORNO GAS VENTILATO E900 XP  
GAS FRYTOP RIBBED + CONV. OVEN 800 E900 XP**

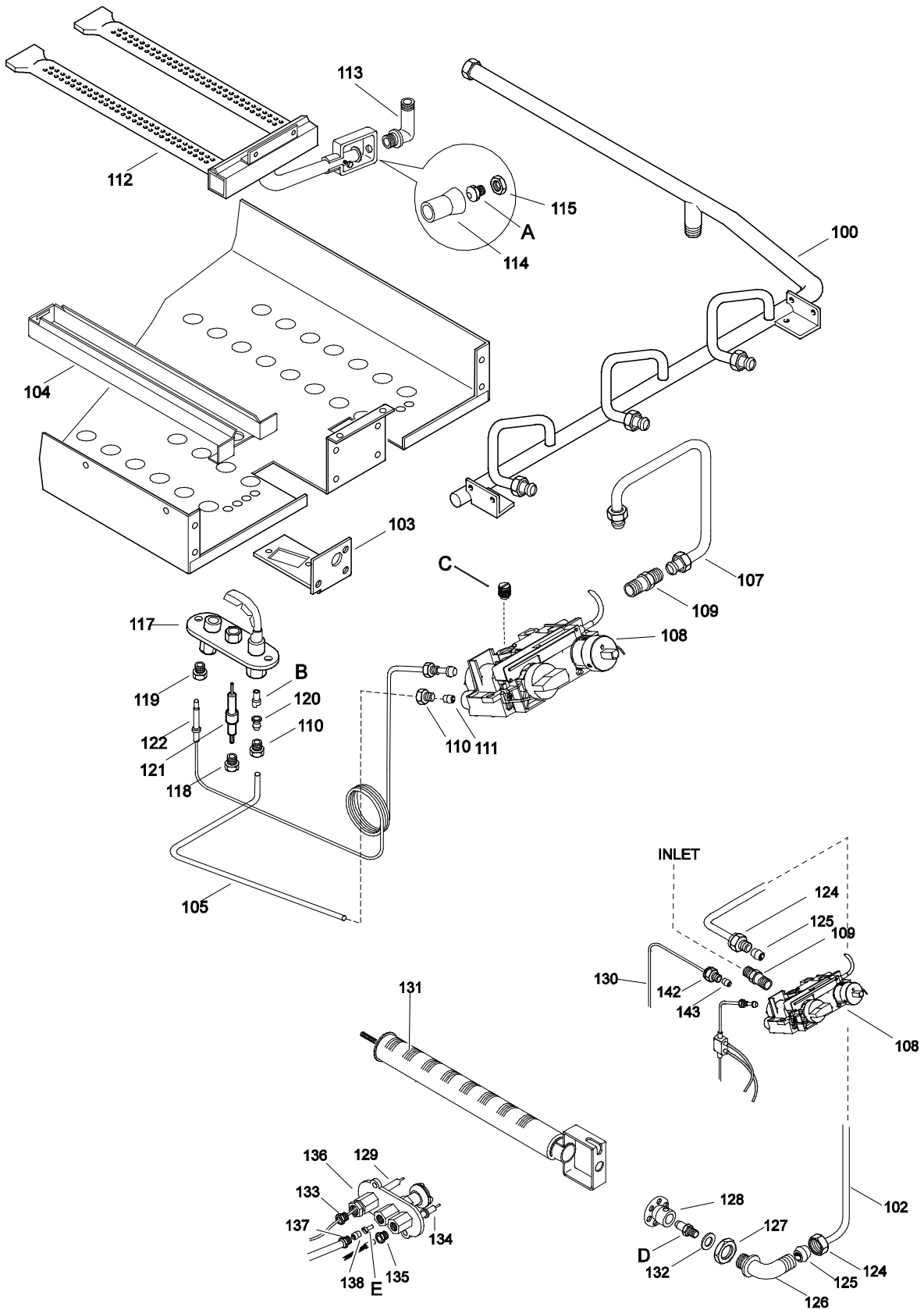
<b>PNC</b>	<b>Model</b>	<b>Ref</b>	<b>Pag.</b>	<b>Brand</b>	<b>Version</b>	<b>Notes</b>
391060	E9FTGHSPV0	a	2-3	ELX	GAS	
392060	Z9FTGHSPV0	b	2-3	ZAN	GAS	

<b>Pag</b>	<b>Index</b>	<b>Indice</b>	<b>Note</b>
2	Top components	Componenti Top	
3	Electric components	Componenti Elettrici	
4	Gas components	Componenti Gas	
5,6,7	Spare parts list	Lista ricambi	

Brand/Marchio: All  
Factory code: 9PDX







<b>A - Ugello bruciatore / Burner nozzle</b>			
6DGT Code	Reference		
0A2104	ø2.40	2H/2E+	G20 20mbar
0A2475	ø2.25	2H	G20 25mbar
0A2174	ø2.65	2ELL	G25 20mbar
059382	ø2.50	2L	G25 25mbar
059382	ø2.50	2S	G25,1 25mbar
0A2089	ø1.60	3+3B/P	G30/31 30mbar
059384	ø1.50	3B/P	G30/31 37mbar
0A2082	ø1.40	3B/P	G30/31 50mbar
059358	ø2.85	No CE	G20 10mbar
0A2106	ø5.00	No CE	G110 8mbar

<b>B - Ugello pilota / Pilot nozzle</b>			
6DGT Code	Reference		
059215	n°27	2H/2E+	G20 20mbar
059215	n°27	2H	G20 25mbar
059215	n°27	2ELL	G25 20mbar
059215	n°27	2L	G25 25mbar
059215	n°27	2S	G25,1 25mbar
059216	n°14	3+3B/P	G30/31 30mbar
059216	n°14	3B/P	G30/31 37mbar
059216	n°14	3B/P	G30/31 50mbar
059215	n°27	No CE	G20 10mbar
059356	n°50	No CE	G110 8mbar

<b>C - Vite minimo / Minimum screw</b>			
6DGT Code	Reference		
006653	ø1.90	2H/2E+	G20 20mbar
0C4156	ø1.75	2H	G20 25mbar
006654	ø2.00	2ELL	G25 20mbar
006653	ø1.90	2L	G25 25mbar
0C4156	ø1.75	2S	G25,1 25mbar
006652	ø1.25	3+3B/P	G30/31 30mbar
006651	ø1.10	3B/P	G30/31 37mbar
006651	ø1.10	3B/P	G30/31 50mbar
006654	ø2.00	No CE	G20 10mbar
-	ADJ.	No CE	G110 8mbar

<b>D - Ugello bruciatore FORNO / Burner nozzle OVEN</b>			
6DGT Code	Reference		
002267	ø2.45	2H/2E+	G20 20mbar
004727	ø2.35	2H/2E+	G20 25mbar
0C0747	ø2.70	2ELL	G25 20mbar
003997	ø2.55	2L	G25 25mbar
054127	ø1.65	3+3B/P	G30 30mbar
003722	ø1.55	3B/P	G30 37mbar
056470	ø1.45	3B/P	G30 50mbar
002268	ø 2.60	2S	G25,1 25mbar
			G110
			G120

<b>E - Ugello pilota FORNO / Pilot nozzle OVEN</b>			
6DGT Code	Reference		
053670	n° 41	2H/2E+	G20 20mbar
053670	n° 41	2H/2E+	G20 25mbar
053670	n° 41	2ELL	G25 20mbar
053670	n° 41	2L	G25 25mbar
053667	n° 30	3+3B/P	G30 30mbar
053667	n° 30	3B/P	G30 37mbar
053667	n° 30	3B/P	G30 50mbar
053670	n° 41	2S	G25,1 25mbar
			G110
			G120

**FRYTOP GAS + FORNO GAS VENTILATO E900 XP**  
**GAS FRYTOP RIBBED + CONV. OVEN 800 E900 XP**

<i>Pos</i>	<i>Spare Part Code</i>	<i>Factory Code</i>	<i>Descrizione</i>	<i>Description</i>	<i>Ref./Note</i>
1	0C8285	87089NS00	RIPIANO 800 FE1/3RIG.	SHELF, 1/3 RIBBED PLATE 800	Elx
1	0C8286	87089NT00	RIPIANO 800 FE1/3RIG.	SHELF, 1/3 RIBBED PLATE 800	Zan
2	0C6384	511833100	TAPPO	STOPPER	
3	*	85089F104	FASCIA	PANEL	Elx
3	*	85089F604	FASCIA	PANEL	Zan
4	0C7333	50389LP00	GRIGLIA CAMINO	GRATE, CHIMNEY	
5	*	560873F00	ISOLAMENTO FORNO	INSULATION, OVEN	
6	*	640804B00	INTERRUTTORE	SWITCH	
7	0C7337	51489AZ00	GUIDA GRIGLIA	GRATE LEADING	
8	0C7336	51489AY00	GRIGLIA FORNO	GRATE, OVEN	
9	0C0204	835856900	PIEDE	FOOT	
10	0C6171	541813800	RONDELLA SILICONE	SILICON WASHER	
11	0C8283	85589DZ00	CRUSCOTTO	CONTROL PANEL	Elx
11	0C8284	85589F100	CRUSCOTTO	CONTROL PANEL	Zan
12	0C7329	548876Q01	GHIERA MANOPOLA FRYTOP	KNOB RING, FRYTOP	Elx
12	0C7429	548879900	GHIERA MANOPOLA FRYTOP	KNOB RING, FRYTOP	Zan
12	0C7342	548877401	GHIERA MANOPOLA FORNO	KNOB RING, OVEN	Elx
12	0C7241	548879700	GHIERA MANOPOLA FORNO	KNOB RING, OVEN	Zan
13		511851100	MANOPOLA	KNOB	Elx
13	0C7179	548877Z01	MANOPOLA	KNOB	Zan
14	0C0156	527850500	PIASTRA FISSAGGIO FIANCHI	SIDE PANELS JOINTING PLATE	
15		54887AP00	ADATTATORE MANOPOLA	KNOB ADAPTER	Elx
16	0C6254	806875200	TUBO SCARICO GRASSI	DRAIN PIPE	
17	069567	218912211	MOLLETTA	SPRING	
18	0C2021	548863303	MANOPOLA ACCENDITORE VALV.	KNOB, GAS VALVE IGNITER	Elx
18	0C7181	548878303	MANOPOLA ACCENDITORE VALV.	KNOB, GAS VALVE IGNITER	Zan
19	0CA382	528884400	PARETE FRONTALE SX C.COMB.	LEFT FRONT PANEL COMB.C.	
19	0CA383	528885100	PARETEFRONTALE DX CAM.COMB.	RIGHT FRONT PANEL COMB.C.	
20	0C6823	530R01801	TAPPO MANIGLIA	HANDLE STOPPER	
21	0C7274	51589A500	MANIGLIA FORNO	HANDLE, OVEN	Elx
21	0C7226	51589A602	MANIGLIA FORNO	HANDLE, OVEN	Zan
22	0C7159	85589C103	PORTA FORNO	OVEN DOOR	
23	0C0197	560839601	ISOLAMENTO PORTA FORNO	INSULATION OVEN DOOR	
24	*	50389UH01	CONTROPORTA FORNO	INNER DOOR	
25	0C7185	835876300	CERNIERA PORTA	HINGE	
26	0C6891	530R01701	SUPPORTO MANIGLIA	HANDLE SUPPORT	Elx
-	0C7159	85589C103	ASS. PORTA FORNO	OVEN DOOR	Elx
-	0C8275	85589D103	ASS. PORTA FORNO	OVEN DOOR	Zan
27	0C7341	543844H00	GUARNIZIONE	GASKET	
28	0C0137	516860702	PIASTRINA X GIUNZIONE	JOINTING REAR PLATE	
29	0C7334	507899M01	SUPPORTO BULBO	BULB SUPPORT	
30	057400	275290025	VETRINO SPIA	INSPECTION GLASS BURNE	
31	057382	206260400	CORNICE PER VETRINO SPIA	FRAME FOR GLASS	
32	057402	282217401	GUARNIZIONE PER VETRINO SPIA	GASKET, INSPECTION GLASS	
33	*	206250401	PIASTRINA FISSAGGIO CAPILLARE	PLATE, CAPILLARY FIXING	
34	0C6385	530899801	PARASPRUZZI 800	SPLASHBACK 800	Up to ser 524
34a	0CA413	50089B100	PARASPRUZZI POST	SPLASHBACK REAR	From ser 525
34b	0CA414	50089B200	PARASPRUZZI SX	SPLASHBACK LEFT	From ser 525
34c	0CA415	50089B300	PARASPRUZZI DX	SPLASHBACK RIGHT	From ser 525
34d	0CA421	85089NB00	ASSIEME PARASPRUZZI	SPLASHBACK ASSEMBLY	From ser 525
35	055995	805848202	RASCHIETTO PER PIASTRA LISCIA	SCRAPER FOR SMOOTH PLATE	
36	056347	506887401	LAMA PER RASCHIETTO	BLADE FOR SCRAPER	
37	056940	830851300	RASCHIETTO PER PIASTRA RIGATA	SCRAPER FOR RIBBED PLATE	
50	002616	611804002	MOTORE	MOTOR	
51	0C7348	682800400	VENTOLA	FAN	
52	0C7339	80589AR01	PARETE ASPIRAZIONE	SUCTION WALL	

**FRYTOP GAS + FORNO GAS VENTILATO E900 XP  
GAS FRYTOP RIBBED + CONV. OVEN 800 E900 XP**

<b>Pos</b>	<b>Spare Part Code</b>	<b>Factory Code</b>	<b>Descrizione</b>	<b>Description</b>	<b>Ref./Note</b>
53	*	217064305	VITE FISSAGGIO PARETE	SCREW FOR SUCTION WALL	
54	*	50189AC00	DISTANZIALE PARETE	NUT FOR SUCTION WALL FIXING	
55	*	50389UG00	PROTEZIONE ANTERIORE	ANTERIOR PROTECION	
56	*	50189AP00	PRTELLINO PILOTA	PILOT DOOR	
57	0C7716	83089FH00	TERMOCOPPIA INTERROTTA	THERMOCOUPLE	
58	*	50189AB00	PANNELLO MOTORE	MOTOR PANEL	
59	*	509805W00	CONVOGLIATORE	CONVEYER	
60	*	509805X00	CONVOGLIATORE	CONVEYER	
61	0F0031	652802100	PORTAFUSIBILE	FUSE HOLDER	
62	004600	646808600	TERMOSTATO DI SICUREZZA	SAFETY THERMOSTAT	
63	056148	694800300	CONDENSATORE	CONDENSER	
64	0C7347	648727100	CONTATTORE	CONTACTOR	
65	046357	639804900	MORSETTIERA	MAIN BOARD	
66	058873	639805100	SUPPORTO RESISTENZA	RESISTOR SUPPORT	
67	058872	617813201	RESISTANCE	RESISTOR	
68	0C6130	544824100	PRESSACAVO	CABLE FIXING	
69	002820	652801800	FUSIBILE 160 mA 5x20	FUSE 160 mA 5x20	
70	*	50189AL01	PROTEZIONE VENTOLA	FAN PROTECTION	
100	0C8281	80589B800	RIBALTA	MANIFOLD	
102	0C8279	51489BX00	CONDUTTURA VALVOLA/FORNO	VALVE/OVEN PIPE	
103	0C1546	528815100	SUPPORTO SX PILOTA	LEFT SUPPORT FOR PILOT	
103	0C1545	528815000	SUPPORTO DX PILOTA	RIGHT SUPPORT FOR PILOT	
104	*	528884500	CONVOGLIATORE ARIA	CONVEYOR, BURNER	
105	0C0598	517878801	CONDUTTURA PILOTA	PILOT PIPE	
107	0C6256	806877701	CONDUTTURA VALV.-BRUCIATORE	PIPE GAS VALVE BURNER	DX
107	0C6347	806879501	CONDUTTURA VALV.-BRUCIATORE	PIPE GAS VALVE BURNER	SX
108	0C5246	835853003	VALVOLA GAS FRY TOP	FRY TOP GAS VALVE	
109	026783	214191001	RACCORDO VALVOLA	VALVE CONNECTION	
110	052125	214164400	RACCORDO M10X1 FORO DA 4	CONNECTION	
111	052127	215199700	BICONO SPEC.DA 4	BICONICAL RING DIAM.4	
112	006650	835853700	BRUCIATORE	BURNER	
113	059375	511805801	PORTAUGELLO	NOZZLE HOLDER	
114	052062	215088100	BOCCOLA REGOL.ARIA	BUSH, BURNER	
115	020997	214105101	CONTRODADO PORTAUGELLO	LOCK NUT, NOZZLE HOLDER	
117	005503	830884101	PILOTA	PILOT	
118	057960	214164101	RACCORDO FISSAGGIO CANDELA	NIPPLE, ELECTRODE	
119	0C0121	214162000	RACCORDO FISS.TERMOCOPPIA	CONNECTION FOR THERMOCOUPLE	
120	059161	517808700	BICONO DIA.4	BICONIC DIAM.4	
121	059380	830863300	ELETTRODO DI ACCENSIONE	ELECTRODE, IGNITION	
122	025031	830852201	TERMOCOPPIA	THERMOCOUPLE	
123	0C5247	835859301	VALVOLA GAS FORNO	OVEN GAS VALVE	
124	0A2125	514829301	DADO, CONDUTTURA FORNO	NUT, OVEN PIPE	
125	060325	215073101	BICONO, CONDUTTURA FORNO	DOUBLE CONE, OVEN PIPE	
126	0C8273	511850Y00	PORTAUGELLO	INJECTOR HOLDER	
127	020997	214105101	CONTRODADO	LOCK NUT	
128	054085	830827102	AREATORE	AREATOR	
130	0C8280	51489BY00	CONDUTTURA PILOTA FORNO	PIPE, PILOT OVEN	
131	0C6677	855899A00	BRUCIATORE FORNO	OVEN BURNER	
132	054029	506833401	GUARNIZIONE UGELLO	GASKET, INJECTOR	
133	0C0121	214162000	RACCORDO TERMOCOPPIA	PIPE FITTING, THERMOCOUPLE	
134	059380	830863300	ELETTRODO	ELECTRODE	
135	057960	214164101	RACCORDO ELETTRODO	PIPE FITTING, ELECTRODE	
136	005503	830884101	PILOTA	PILOT BURNER	
137	052125	214164400	RACCORDO PILOTA	PIPE FITTING PILOT PIPE	
138	059161	517808700	BICONO PILOTA	DOUBLE CONE, PILOT	