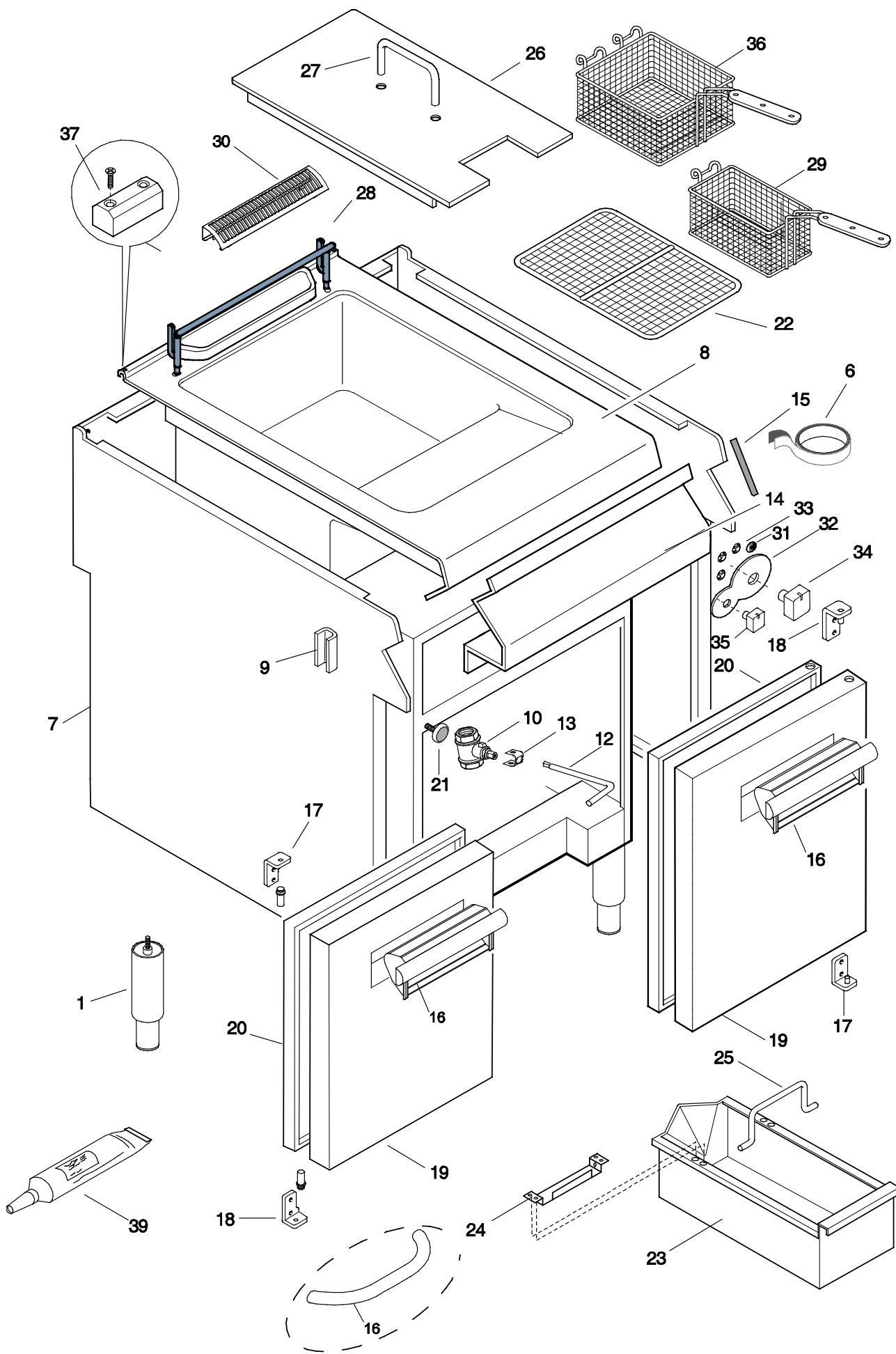


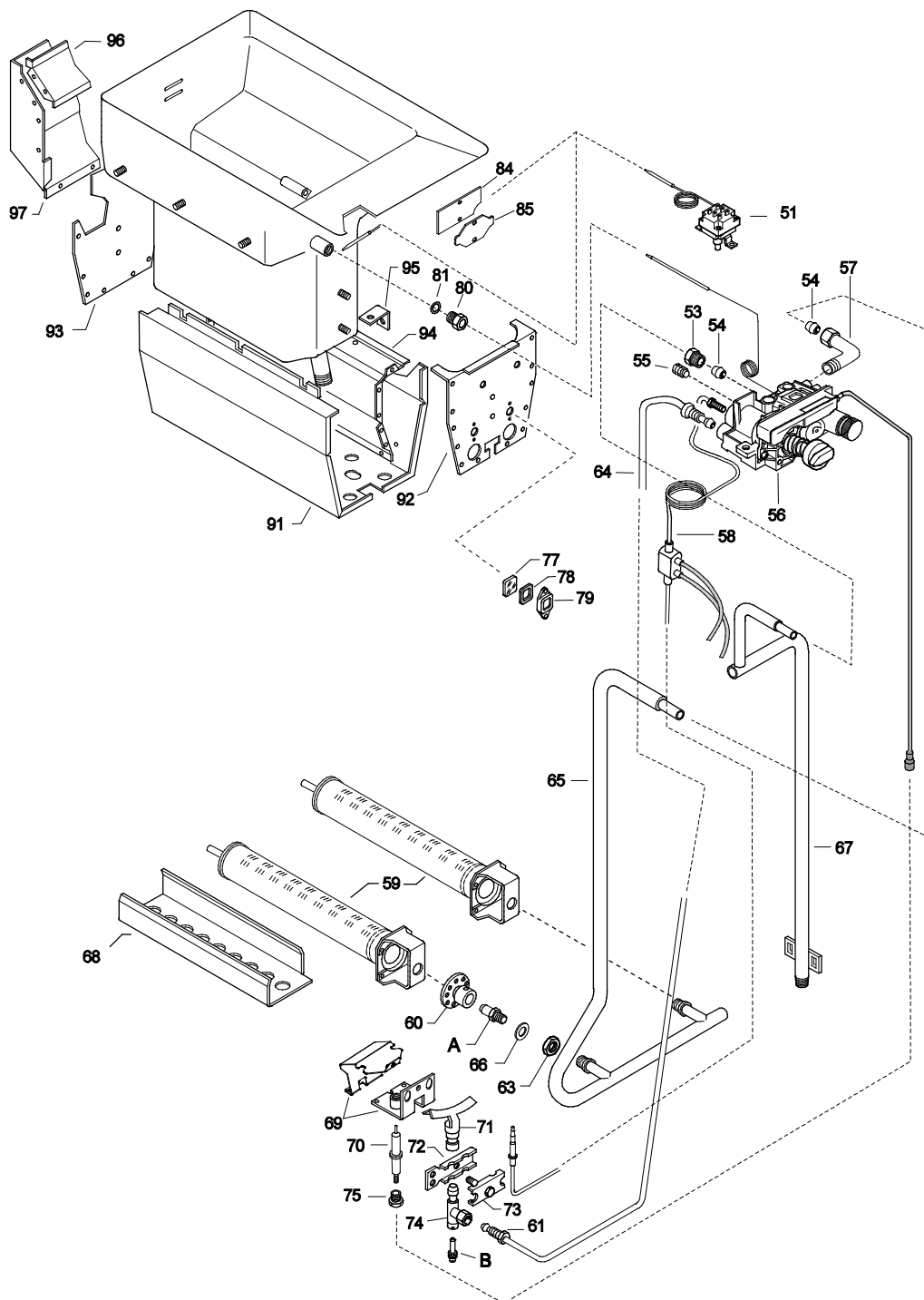
FRIGGITRICI GAS 23Lt E900XP
GAS FRYERS 23Lt E900XP

PNC	Model	Ref	Pag.	Brand	Version	Notes
391079	E9FRGD1JF0	a	2,3	ELX	1 WELL	2 1/2 BASKETS
391080	E9FRGH2JF0	b	2,3	ELX	2 WELLS	4 1/2 BASKETS
391300	E9FRGH2JFW	i	2,3	ELX	2 WELLS	4 1/2 BASKETS
392079	Z9FRGD1JF0	c	2,3	ZAN	1 WELL	2 1/2 BASKETS
392080	Z9FRGH2JF0	d	2,3	ZAN	2 WELLS	4 1/2 BASKETS
393079	A9FRGD1JF0	e	2,3	OEM	1 WELL	2 1/2 BASKETS
393080	A9FRGH2JF0	f	2,3	OEM	2 WELLS	4 1/2 BASKETS
393210	A9FRGD1JFK	g	2,3	KiPro	1 WELL	2 1/2 BASKETS
393211	A9FRGH1JFK	h	2,3	KiPro	2 WELLS	4 1/2 BASKETS

Pag	Index	Indice	Note
2	General componets	Componenti struttura	
3	Gas components / Nozzels	Componenti Gas / ugelli	
4,5	Spare parts list	Lista ricambi	

Brand/Marchio: All
Factory code: 9PDX





A - Ugello bruciatore / Burner nozzle

Spare Code	Ref. / Notes
006419	ø2.90 2H/2E+ G20 20mbar
054084	ø3.20 2ELL G25 20mbar
054084	ø3.20 2L G25 25mbar
002905	ø1.60 3+3B/P G30/31 28-30/37mbar
055388	ø3.30 No CE G20 10mbar
0C3079	Ø6.25 No CE G110 8mbar
002905	ø1.60 3+3B/P G30/31 50mbar : regulate pressure output from the regulation screw on the valve to obtain in exit 28-30/37mbar

B - Ugello pilota / Pilot nozzle

Spare Code	Ref. / Notes
003327	n°40 2H/2E+ G20 20mbar
003327	n°40 2ELL G25 20mbar
003327	n°40 2L G25 25mbar
058525	n°30 3+3B/P G30/31 28-30/37mbar
056798	n°24 No CE G20 10mbar
REG / ADJ	n°25 No CE G110 8mbar

FRIGGITRICI GAS 23Lt E900XP
GAS FRYERS 23Lt E900XP

Pos	Spare Parts Code	Factory Code	Descrizione	Description	Ref./Note
1	0C0204	835856900	PIEDE	FOOT	
2					
3					
4					
5					
6	*	147018088	ADESIVO STRUTTURALE	STRUCTURAL ADHESIVE	
7	*	85089DY00	FASCIA 400mm	EXTERNAL PANEL 400mm	ELX
7	*	85089DZ00	FASCIA 800mm	EXTERNAL PANEL 800mm	ELX
7	*	85089F300	FASCIA 400mm	EXTERNAL PANEL 400mm	ZAN, OEM
7	*	85089F400	FASCIA 800mm	EXTERNAL PANEL 800mm	ZAN, OEM
8	0C7800	87089AH00	RIPIANO / VASCA 400mm	WORKTOP / TANK 400mm	ELX
8	0C7493	87089AP00	RIPIANO / VASCA 800mm	WORKTOP / TANK 800mm	ELX
8	0C7510	87089CF00	RIPIANO / VASCA 400mm	WORKTOP / TANK 400mm	ZAN, OEM
8	0C7512	87089CH00	RIPIANO / VASCA 800mm	WORKTOP / TANK 800mm	ZAN, OEM
9	0C0156	527850500	PIASTRA FISSAGGIO FIANCHI	SIDE PANEL JOINTING PLATE	
10	006688	835855000	VALVOLA DI SCARICO	DRAIN VALVE	
11					
12	0C0608	516868800	LEVA SCARICO	DRAIN LEVER	
13	006877	508897002	GUIDA LEVA SCARIVO	RUNNER, DRAIN LEVER	
14	0C7801	85589AG00	CRUSCOTTO 400mm	CONTROL PANEL 400mm	ELX
14	0C7739	85589AH00	CRUSCOTTO 800mm	CONTROL PANEL 800mm	ELX
14	0C7514	87089HX00	CRUSCOTTO 400mm	CONTROL PANEL 400mm	ZAN
14	0C7515	87089HZ00	CRUSCOTTO 800mm	CONTROL PANEL 800mm	ZAN
14	*	50389N500	CRUSCOTTO 400mm	CONTROL PANEL 400mm	OEM
14	*	50389N600	CRUSCOTTO 800mm	CONTROL PANEL 800mm	OEM
15	0L0113	543821900	GUARNIZIONE X CRUSCOTTO	GASKET, CONTROL PANEL	
16	0C7164	51589A700	MANIGLIA	HANDLE	ELX
16	0C8190	54887A800	MANIGLIA	HANDLE	ZAN
16	0A5021	854864203	MANIGLIA	HANDLE	OEM
17	0C0138	516860801	CERNIERA	HINGE	
18	0C0139	516860901	CERNIERA	HINGE	
19	0C7157	50389G300	PORTA	DOOR	ELX, ZAN
19	*	50389MB01	PORTA	DOOR	OEM
20	0C7158	50489CQ00	CONTROPORTA	INNER DOOR	
*	0C7163	85589CT01	ASSIEME PORTA	COMPLETE DOOR	
*	0C7165	85589CU02	ASSIEME PORTA	COMPLETE DOOR	
*	0C7627	85589CV00	ASSIEME PORTA	COMPLETE DOOR	
21	0C0201	830898200	MAGNETE PER PORTA	MAGNET, DOOR	
22	006130	830884701	GRIGLIA FONDO	BOTTOM GRILL	
23	0C0611	522854700	BACINELLA PER OLIO	OIL BASIN	
24	0C0612	528822801	SUPPORTO MANIGLIA	SUPPORT, HANDLE BASIN	
25	006131	516849501	MANIGLIA BACINELLA	HANDLE, BASIN	
26	0C0613	529890100	COPERCHIO FRIGGITRICE 23Lt	LID, FRYER 23Lt	
27	0C0614	511819000	MANIGLIA COPERCHIO	HANDLE, LID	
28	006583	516847800	SUPPORTO CESTELLI	SUPPORT, BASKET	
29	006133	850894500	CESTELLO	BASKET	
30	0C7333	50389LP00	GRIGLIA CAMINO	CHIMNEY GRID	
31	0C6171	541813800	RONDELLA SILICONE	SILICONE WASHER	
32	0C7802	548877500	GHIERA	RING, KNOB	ELX
32	0C7484	548879800	GHIERA	RING, KNOB	ZAN, OEM
33	069567	218912211	ANELLO DI FISSAGGIO GHIERA	SPRING, KNOB RING	
34	0C7330	511850D01	MANOPOLA TERMOSTATO	THERMOSTAT KNOB	ELX
34	0C7179	548877Z01	MANOPOLA TERMOSTATO	THERMOSTAT KNOB	ZAN
34	0C5252	548872700	MANOPOLA TERMOSTATO	THERMOSTAT KNOB	OEM
34	0C6745	548856602	MANOPOLA TERMOSTATO	THERMOSTAT KNOB	G,H

FRIGGITRICI GAS 23Lt E900XP GAS FRYERS 23Lt E900XP					
Pos	Spare Parts Code	Factory Code	Descrizione	Description	Ref./Note
35	OC2021	548863303	MANOPOLA ACCENDITORE	LIGHTER KNOB	ELX
35	OC7181	548878303	MANOPOLA ACCENDITORE	LIGHTER KNOB	ZAN
35	OC0190	548856603	MANOPOLA ACCENDITORE	LIGHTER KNOB	OEM
35	OC0190	548856601	MANOPOLA ACCENDITORE	LIGHTER KNOB	H
36	006539	878824600	CESTELLO INTERO FRIGG. 23Lt	FULL SIZE BASKET	F927226
37	OC0137	516860700	PIASTRA GIUNZIONE APPARECC.	JOINTING REAR PLATE	
38	006083	147098044	ADESIVO SILICONICO gr.100	ADHESIVE PIPE gr.100	
51	005931	646810102	TERMOSTATO DI SICUREZZA	SAFETY THERMOSTAT	
53	051950	514862501	RACCORDO	PIPE FITTING	
54	050682	215170716	OGIVA	RING	
55	OC0625	516865800	TAPPO PER VALVOLA	STOPPER FOR VALVE	
56	OC5248	835859702	VALVOLA GAS	GAS VALVE	Tec bulletin PDX2008-05
57	OC0631	515863200	RACCORDO A "L"	L PIPE FITTING	
58	OC3162	831818901	TERMOCOPPIA INTERROTTA	THERMOCOUPLE; INTERRUPTED	
59	006127	830823100	BRUCIATORE	BURNER	
60	054039	830828001	AERATORE	AERATOR	
61	OC0121	214162000	RACCORDO TERMOCOPPIA	PIPE FITTING, THERMOCOUPLE	
63	020997	214105101	CONTRODADO	LOCK NUT	
64	OC0626	517870001	CONDUTTURA PILOTA	PIPE, PILOT	
65	OC0627	853855802	RIBALTA	MANIFOLD	
66	054029	506833401	GUARNIZIONE PER UGELLO	GASKET, INJECTOR	
67	*	85589DD00	ENTRATA GAS FRIGG.23Lt	GAS INLET 23Lt	1 WELL
67	OC8191	85589DB00	ENTRATA GAS FRIGG.23+23Lt	GAS INLET FRYER 23+23Lt	2 WELLS
68	*	529801501	CONVOGLIATORE BRUC. DESTRO	CONVEJOR, RIGHT SIDE BURNER	
68	*	529801401	CONVOGLIATORE BRUC. SINISTRO	CONVEJOR, LEFT SIDE BURNER	
69	OC9197	80589C000	SUPPORTO PILOTA ASSIEME	PILOT SUPPORT ASSEMBLY	2 pcs with one code
70	OC7141	569807J00	ELETTRODO	ELECTRODE	
71	006128	830885600	CANNELLO PILOTA	TUBE, PILOT	
72	052256	206993500	STAFFA PILOTA	BRACKET, PILOT	
73	052246	206649700	CONTROSTAFFA	INNER BRACKET	
74	006725	835854800	BRUCIATORE PILOTA	PILOT BURNER	
75	057960	214164101	RACCORDO ELETTRODO	PIPE FITTING, ELECTRODE	
77					
78					
79					
80	059295	514874500	RACCORDO	PIPE FITTING	
81	059293	543815000	GUARNIZIONE	GASKET	
82					
83					
84	OC4749	527871901	SUPPORTO BULBO LIMITATORE	SAFETY TERM. BULB SUPPORT	
85	OC4748	569806300	ISOLANTE BULBO	SAFETY THERMOSTAT BULB INSULATION	
91	*	529826201	CAMERA DI COMBUSTIONE	COMBUSTION CHAMBER	
92	*	530834401	PARETE ANT. CAM. COMB.	FRONT PANEL, COMB. CHAMB.	1 WELL
92	*	530834501	PARETE ANT. CAM. COMB.	FRONT PANEL, COMB. CHAMB.	2 WELLS
93	*	529825800	PARETE POST. CAM. COMB.	REAR PANEL, COMB. CHAMB.	1 WELL
93	*	529863200	PARETE POST. CAM. COMB.	REAR PANEL, COMB. CHAMB.	2 WELLS
94	*	523878302	CONVOGLIATORE FUMI	CONVEJOR	
95	*	527817400	SQUADRETTA PER CONVOGL.	STIFFENING	
96	*	529825701	PARETE ANT. CAMINO	FRONT PANEL, CHIMNEY	
97	*	529825601	PARETE POST. CAMINO	REAR PANEL, CHIMNEY	
98	052263	214680600	DISTANZIALE	SPACER	