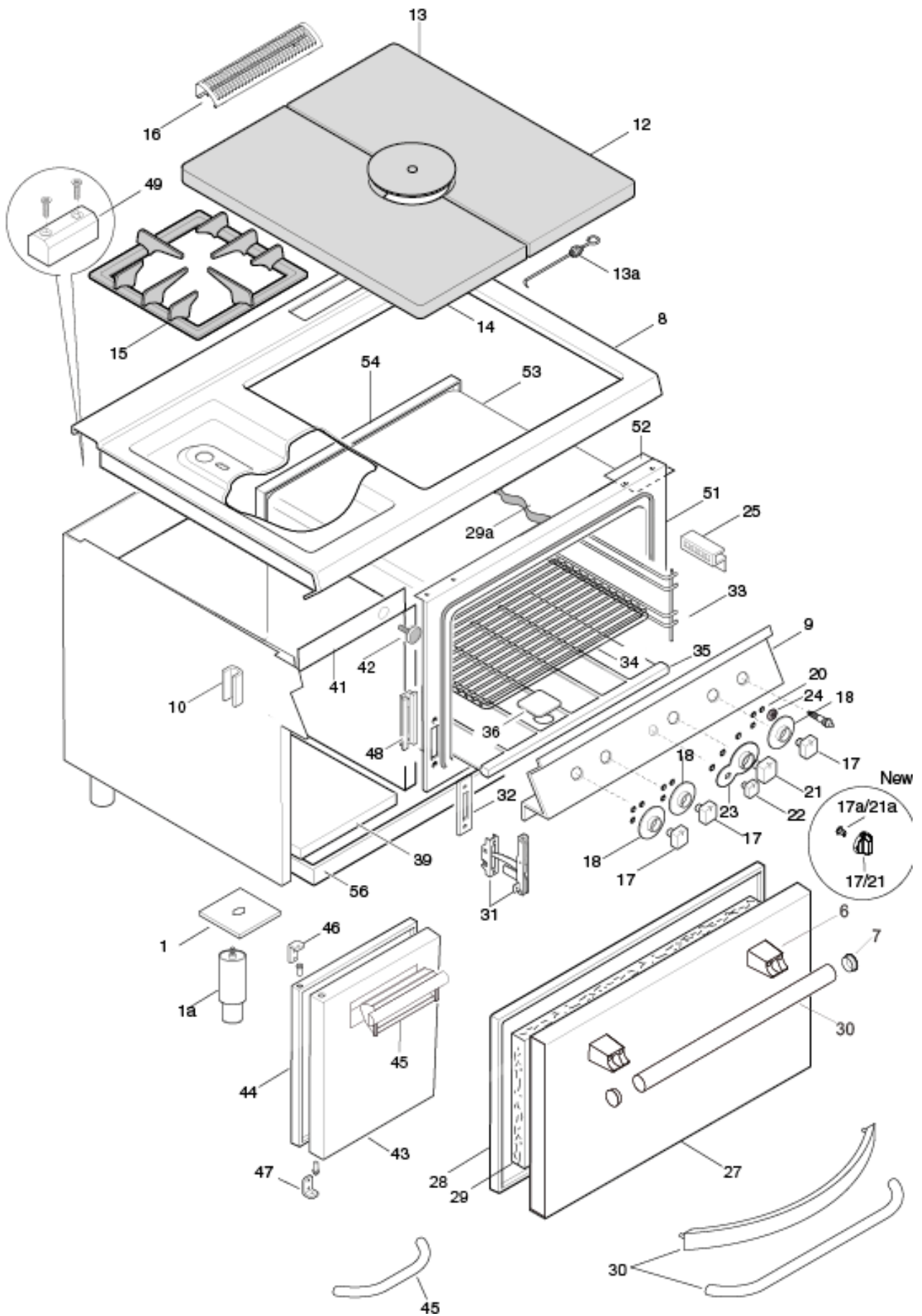
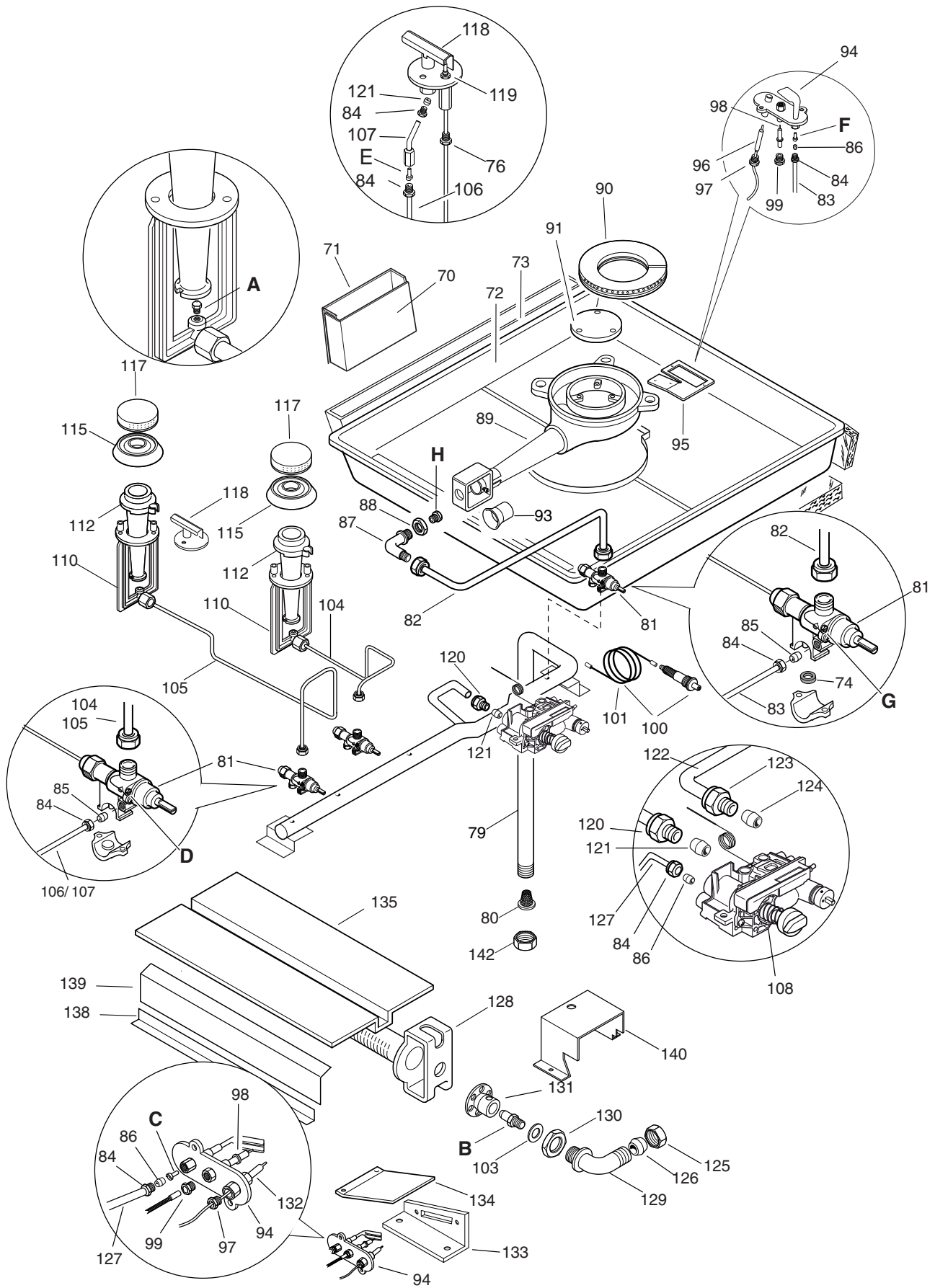


| PNC | Model | Ref | Brand | Version | Notes |
|---------------|-------------------|----------|------------|------------|---|
| 371008 | E7STGH10G0 | a | ELX | GAS | OVEN 800 MM |
| 371009 | E7STGH30G0 | b | ELX | GAS | 2 BURNERS + OVEN 800 MM |
| 371010 | E7STGL3010 | c | ELX | GAS | 2 BURN. + OVEN + OPEN BURN.1200MM |
| 371012 | E7STGL5000 | m | ELX | GAS | SOLID TOP + 4 BURNERS 1200 MM |
| 371217 | E7STGH10GA | j | ELX | GAS | SOLID TOP + OVEN 800 MM AUSTRALIA |
| 371218 | E7STGL301A | k | ELX | GAS | 2 BURN. + OVEN + OPEN BURN 1200MM AUSTRALIA |
| 372008 | Z7STGH10G0 | d | ZAN | GAS | SOLID TOP + OVEN 800 MM |
| 372009 | Z7STGH30G0 | e | ZAN | GAS | 2 BURNERS + OVEN 800 MM |
| 372010 | Z7STGL3010 | f | ZAN | GAS | 2 BURN. + OVEN + OPEN BURN.1200MM |
| 372217 | Z7STGH10GA | l | ZAN | GAS | SOLID TOP + OVEN 800 MM AUSTRALIA |
| 373008 | A7STGH10G0 | g | OEM | GAS | SOLID TOP + OVEN 800 MM |
| 373009 | A7STGH30G0 | h | OEM | GAS | 2 BURNERS + OVEN 800 MM |
| 373010 | A7STGL3010 | i | OEM | GAS | 2 BURN. + OVEN + OPEN BURN.1200MM |

| Pag | Index | Indice | Note |
|-------|-----------------------|----------------------|------|
| 2,3 | General components | Componenti struttura | |
| 4 | Gas components | Componenti Gas | |
| 5,6 | Pilot / Burner Nozzle | Tabelle ugelli | |
| 7,8,9 | Spare parts list | Lista ricambi | |

Brand/Marchio: All
 Factory code: 9PDX





A - Ugello bruciatore / Burner nozzle ø60

| 6DGT Code | Ref. / Notes | | |
|-----------|--------------|--------|--------------|
| 0C2809 | ø1.85 | 2H/2E+ | G20 20mbar |
| 0C2808 | ø1.75 | 2H | G20 25mbar |
| 0C2806 | ø1.85/2.10 | 2ELL | G25 20mbar |
| 0C2805 | ø1.75/2.10 | 2L | G25 25mbar |
| 059314 | ø1.15 | 3+3B/P | G30 30mbar |
| 0A2076 | ø1.10 | 3B/P | G30 36mbar |
| 0C2807 | ø1.10 | 3B/P | G30 50mbar |
| 0C2805 | ø1.75/2.10 | 2S | G25.1 25mbar |
| 0C5475 | ø3.50 | 1a | G110 |
| 0C3658 | ø3.30 | 1b | G120 |

D - Vite di minimo / Min screw ø60

| 6DGT Code | Ref./ Notes | | |
|-----------|-------------|--------|--------------|
| 002899 | n°80 | 2H/2E+ | G20 20mbar |
| 002899 | n°80 | 2H | G20 25mbar |
| 002899 | n°80 | 2ELL | G25 20mbar |
| 002899 | n°80 | 2L | G25 25mbar |
| 002911 | n°55 | 3+3B/P | G30 30mbar |
| 002911 | n°55 | 3B/P | G30 36mbar |
| 002925 | n°50 | 3B/P | G30 50mbar |
| 002899 | n°80 | 2S | G25.1 25mbar |
| - | adj | 1a | G110 |
| - | adj | 1b | G120 |

E - Pilota fuochi / Pilot nozzle open burner

| 6DGT Code | Ref./ Notes | | |
|-----------|-------------|--------|------------|
| 053670 | n°41 | 2H/2E+ | G20 20mbar |
| 053670 | n°41 | 2H | G20 25mbar |
| 053670 | n°41 | 2ELL | G25 20mbar |
| 053670 | n°41 | 2L | G25 25mbar |
| 054593 | n°25 | 3+3B/P | G30 30mbar |
| 054593 | n°25 | 3B/P | G30 36mbar |
| 054593 | n°25 | 3B/P | G30 50mbar |
| 053670 | n°41 | 2S | G25 25mbar |
| 053669 | n°75 | 1a | G110 |
| 053669 | n°75 | 1b | G120 |

| B - Ugello FORNO / Burner nozzle OVEN | | |
|--|--------------|-------------------|
| 6DGT Code | Ref. / Notes | |
| 0C0509 | ø1.85 | 2H/2E+ G20 20mbar |
| 003723 | ø1.75 | 2H G20 25mbar |
| 0A5165 | ø2.10 | 2ELL G25 20mbar |
| 0C2811 | ø2 | 2L G25 25mbar |
| 059804 | ø1.25 | 3+3B/P G30 30mbar |
| 0C2810 | ø1.20 | 3B/P G30 36mbar |
| 054082 | ø1.10 | 3B/P G30 50mbar |
| 0C2811 | ø2 | 2S G25.1 25mbar |
| 055133 | ø3.80 | 1a G110 |
| 054128 | ø3.40 | 1b G120 |

| C - Ugello pilota FORNO / Pilot nozzle OVEN | | |
|--|-------------|-------------------|
| 6DGT Code | Ref./ Notes | |
| 059215 | n°27 | 2H/2E+ G20 20mbar |
| 059215 | n°27 | 2H G20 25mbar |
| 059215 | n°27 | 2ELL G25 20mbar |
| 059215 | n°27 | 2L G25 25mbar |
| 059216 | n°14 | 3+3B/P G30 30mbar |
| 059216 | n°14 | 3B/P G30 36mbar |
| 059216 | n°14 | 3B/P G30 50mbar |
| 059215 | n°27 | 2S G25.1 25mbar |
| 059356 | n°50 | 1a G110 |
| 059356 | n°50 | 1b G120 |

| H - Ugello TuttaPiastra / Burner nozzle SolidTop 400 mm | | |
|--|--------------|-------------------|
| 6DGT Code | Ref. / Notes | |
| 0A2082 | ø1.40 | 2H/2E+ G20 20mbar |
| 002393 | ø1.30 | 2H G20 25mbar |
| 0A2103 | ø1.55 | 2ELL G25 20mbar |
| 0A2091 | ø1.45 | 2L G25 25mbar |
| 0A2091 | ø1.45 | 2S G25.1 25mbar |
| 0A2088 | ø0.95 | 3+3B/P G30 30mbar |
| 003397 | ø0.90 | 3B/P G30 36mbar |
| 059357 | ø0.85 | 3B/P G30 50mbar |
| 059383 | ø2.80 | No CE G110 |

| H - Ugello TuttaPiastra / Burner nozzle SolidTop 800 mm | | |
|--|--------------|-------------------|
| 6DGT Code | Ref. / Notes | |
| 0A2301 | ø1.95 | 2H/2E+ G20 20mbar |
| 0A2077 | ø1.85 | 2H G20 25mbar |
| 0A2083 | ø2.20 | 2ELL G25 20mbar |
| 0A2105 | ø2.10 | 2L G25 25mbar |
| 0A2105 | ø2.10 | 2S G25.1 25mbar |
| 0A2533 | ø1.35 | 3+3B/P G30 30mbar |
| 0A2101 | ø1.25 | 3B/P G30 36mbar |
| 059314 | ø1.15 | 3B/P G30 50mbar |
| 0C0703 | ø4.20 | No CE G110 |

| F - Pilota TuttaPiastra / Pilot nozzle SolidTop 400 mm | | |
|---|-------------|-------------------|
| 6DGT Code | Ref./ Notes | |
| 059215 | n°27 | 2H/2E+ G20 20mbar |
| 059215 | n°27 | 2H G20 25mbar |
| 059215 | n°27 | 2ELL G25 20mbar |
| 059215 | n°27 | 2L G25 25mbar |
| 059215 | n°27 | 2S G25.1 25mbar |
| 059216 | n°14 | 3+3B/P G30 30mbar |
| 059216 | n°14 | 3B/P G30 36mbar |
| 059216 | n°14 | 3B/P G30 50mbar |
| 059381 | n°75 | No CE G110 |

| F - Pilota TuttaPiastra / Pilot nozzle SolidTop 800 mm | | |
|---|-------------|-------------------|
| 6DGT Code | Ref./ Notes | |
| 059215 | n°27 | 2H/2E+ G20 20mbar |
| 059215 | n°27 | 2H G20 25mbar |
| 059215 | n°27 | 2ELL G25 20mbar |
| 059215 | n°27 | 2L G25 25mbar |
| 059215 | n°27 | 2S G25.1 25mbar |
| 059216 | n°14 | 3+3B/P G30 30mbar |
| 059216 | n°14 | 3B/P G30 36mbar |
| 059216 | n°14 | 3B/P G30 50mbar |
| 059381 | n°75 | No CE G110 |

| G - Vite di minimo T.P. / Min screw SolidTop 400 mm | | |
|--|-------------|-------------------|
| 6DGT Code | Ref./ Notes | |
| 002902 | n°105 | 2H/2E+ G20 20mbar |
| 002902 | n°105 | 2H G20 25mbar |
| 002902 | n°105 | 2ELL G25 20mbar |
| 002902 | n°105 | 2L G25 25mbar |
| 002902 | n°105 | 2S G25.1 25mbar |
| 002908 | n° 70 | 3+3B/P G30 30mbar |
| 002908 | n° 70 | 3B/P G30 36mbar |
| 002904 | n° 60 | 3B/P G30 50mbar |
| - | adjust | No CE G110 |

| G - Vite di minimo T.P. / Min screw SolidTop 800 mm | | |
|--|-------------|-------------------|
| 6DGT Code | Ref./ Notes | |
| 0C1326 | n°120 | 2H/2E+ G20 20mbar |
| 0C1326 | n°120 | 2H G20 25mbar |
| 0C1326 | n°120 | 2ELL G25 20mbar |
| 0C1326 | n°120 | 2L G25 25mbar |
| 0C1326 | n°120 | 2S G25.1 25mbar |
| 002899 | n° 80 | 3+3B/P G30 30mbar |
| 002899 | n° 80 | 3B/P G30 36mbar |
| 002908 | n° 70 | 3B/P G30 50mbar |
| - | adjust | No CE G110 |

**TUTTAPIASTRA GAS E700XP
GAS SOLID TOP E700XP**

| Pos | Factory Code | 6DGT Code | Descrizione | Description | Ref./Note |
|------------|-------------------|---------------|---|------------------------------------|----------------------------|
| 1 | 0835856900 | 0C0204 | PIEDE | FOOT | |
| 1 | 0315252601 | 026806 | PIEDE | FOOT | m |
| 1a | 050589CD00 | * | PIASTRA DI RINFORZO PER PIEDE | PLATE FOR FOOT | |
| 2 | 085089FF00 | * | RIVESTIMENTO LATERALE 800 MM | EXTERNAL PANEL 800 MM | ELX |
| 2 | 085089FB00 | * | RIVESTIMENTO LATERALE 800 MM | EXTERNAL PANEL 800 MM | ZAN, OEM |
| 2 | 085089FG01 | * | RIVESTIMENTO LATERALE 1200 MM | EXTERNAL PANEL 1200 MM | ELX |
| 2 | 085089FK00 | * | RIVESTIMENTO LATERALE 1200 MM | EXTERNAL PANEL 1200 MM | ZAN, OEM |
| 2 | 085089F901 | * | RIVESTIMENTO LATERALE TOP 1200 | EXTERNAL PANEL TOP 1200 | m |
| 3 | 0510814800 | 002529 | SEMIPIASTRA ANTERIORE | FRONT HALF PLATE CAST IRON | b, e, h, m |
| 4 | 0510814901 | 002530 | SEMIPIASTRA POSTERIORE | REAR HALF PLATE CAST IRON | b, e, h, m |
| 5 | 0510815000 | 002531 | TAMPONE | DISK, PLATE | b, e, h, m |
| 6 | 0530R01701 | 0C6891 | BLOCCHETTO MANIGLIA | HANDLE SUPPORT | ELX |
| 7 | 0530R01801 | 0C6823 | TAPPO CHIUSURA MANIGLIA | STOPPER FOR HANDLE | ELX |
| 8 | 087089AC00 | 0C7726 | RIPIANO TUTTAPIASTRA su FORNO 800mm | WORKTOP SOLIDTOP on OVEN 800mm | ELX |
| 8 | 087089MH00 | 0C7927 | RIPIANO TUTTAPIASTRA su FORNO 800mm | WORKTOP SOLIDTOP on OVEN 800mm | ZAN, OEM |
| 8 | 087089A801 | 0C7722 | RIPIANO TUTTAPIASTRA 2B su FORNO 800mm | WORKTOP SOLIDTOP 2B on OVEN 800mm | ELX |
| 8 | 087089MJ00 | 0C7928 | RIPIANO TUTTAPIASTRA 2B su FORNO 800mm | WORKTOP SOLIDTOP 2B on OVEN 800mm | ZAN, OEM |
| 8 | 087089AB00 | 0C7725 | RIPIANO TUTTAPIASTRA 2B su FORNO 1200mm | WORKTOP SOLIDTOP 2B on OVEN 1200mm | ELX |
| 8 | 087089MM00 | 0C7929 | RIPIANO TUTTAPIASTRA 2B su FORNO 1200mm | WORKTOP SOLIDTOP 2B on OVEN 1200mm | ZAN, OEM |
| 8 | 087089NC01 | 0C8376 | RIPIANO 4B 1200mm | WORKTOP 4B 1200mm | m |
| 9 | 085089JQ02 | 0C8042 | CRUSCOTTO TUTTAP. su FORNO | CONTR. PANEL SOLID TOP on OVEN | ELX 800mm |
| 9 | 085089JR00 | 0C8046 | CRUSCOTTO TUTTAP. su FORNO | CONTR. PANEL SOLID TOP on OVEN | ZAN 800mm |
| 9 | 050389UM00 | 0C8045 | CRUSCOTTO TUTTAP. su FORNO | CONTR.PANEL SOLID TOP on OVEN | OEM 800mm |
| 9 | 085089JS00 | 0C8043 | CRUSCOTTO TUTTAP. 2B su FORNO | C. PANEL SOLID TOP 2B on OVEN | ELX - 2 Burner+oven 800mm |
| 9 | 085089JT00 | * | CRUSCOTTO TUTTAP. 2Bsu FORNO | C. PANEL SOLID TOP 2B on OVEN | ZAN - 2 Burner+oven 800mm |
| 9 | 088839K00 | * | CRUSCOTTO TUTTAP. 2B su FORNO | C.PANEL SOLID TOP 2B on OVEN | OEM - 2 Burner+oven 800mm |
| 9 | 085089J100 | 0C7892 | CRUSCOTTO TUTTAP. 2B su FORNO | C. PANEL SOLID TOP 2B on OVEN | ELX - 2 Burner+oven 1200mm |
| 9 | 085589CW00 | 0C7899 | CRUSCOTTO TUTTAP. 2Bsu FORNO | C. PANEL SOLID TOP 2B on OVEN | ZAN-2 Burner+oven 1200mm |
| 9 | 0800839Y00 | * | CRUSCOTTO TUTTAP. 2B su FORNO | C.PANEL SOLID TOP 2B on OVEN | OEM-2 Burner+oven 1200mm |
| 9 | 085089K102 | 0C8362 | CRUSCOTTO 4B | C.PANEL 4B | m |
| 10 | 0527850500 | 0C0156 | PIASTRA FISSAGGIO FIANCHI | SIDE PANEL JOINTING PLATE | |
| 11 | | | | | |
| 12 | 0510805101 | 054823 | PIASTRA RADIANTE DESTRA | RIGHT PLATE CAST IRON | |
| 13 | 0210026714 | 050803 | DISCO RADIANTE | DISK, PLATE | |
| 13a | 0330294200 | 001158 | GANCIO SOLLEVADISCO | RINGS HOOK | |
| 14 | 0510805201 | 054824 | PIASTRA RADIANTE SINISTRA | LEFT PLATE CAST IRON | |
| 15 | 0511821400 | 0C2526 | GRIGLIA FUOCHI | GRID OPEN BURNER | |
| 16 | 050389LP00 | 0C7333 | GRIGLIA CAMINO | GRATE FOR CHIMNEY | 800mm + m |
| 16 | 050389LM00 | 0C7705 | GRIGLIA CAMINO | GRATE FOR CHIMNEY | 1200mm |
| 17 | 0511850D02 | 0C7330 | MANOPOLA PER RUBINETTO GAS | KNOB, GAS COCK | ELX up to 2201 |
| 17 | 054887AV00 | 0C8645 | MANOPOLA+ADATTATORE Ø8 | KNOB+ ADAPTER Ø8 | ELX from 2211 |
| 17a | 054887AP00 | 0C8714 | ADATTATORE Ø8 | ADAPTER Ø8 | ELX from 2211 |
| 17 | 0548878101 | 0C7425 | MANOPOLA PER RUBINETTO GAS | KNOB, GAS COCK | ZAN |
| 17 | 0548865700 | 0C1380 | MANOPOLA PER RUBINETTO GAS | KNOB, GAS COCK | OEM up to 1361 |
| 17 | 0548865600 | 0C1007 | MANOPOLA PER RUBINETTO GAS | KNOB, GAS COCK | OEM from 1371 |
| 18 | 0548876500 | 0C6671 | GHIERA FUOCO ANTERIORE | RING KNOB, FRONT BURNER | ELX |

**TUTTAPIASTRA GAS E700XP
GAS SOLID TOP E700XP**

| <i>Pos</i> | <i>Factory Code</i> | <i>6DGT Code</i> | <i>Descrizione</i> | <i>Description</i> | <i>Ref./Note</i> |
|------------|---------------------|------------------|-----------------------------|------------------------------|------------------|
| 18 | 0548879F00 | 0C7243 | GHIERA FUOCO ANTERIORE | RING KNOB, FRONT BURNER | ZAN, OEM |
| 19 | 0548876T00 | 0C7332 | GHIERA FUOCO POSTERIORE | RING KNOB, REAR BURNER | ELX |
| 19 | 0548879G00 | 0C7244 | GHIERA FUOCO POSTERIORE | RING KNOB, REAR BURNER | ZAN, OEM |
| 20 | 0218912211 | 069567 | MOLLETTA PER GHIERA | RING, RING KNOB | |
| 21 | 0511850D02 | 0C7330 | MANOPOLA TERMOST. VALVOLA | KNOB, GAS VALVE THERMOSTAT | ELX up to 2201 |
| 21 | 054887AV00 | 0C8645 | MANOPOLA+ADATTATORE Ø8 | KNOB+ ADAPTER Ø8 | ELX from 2211 |
| 21a | 054887AP00 | 0C8714 | ADATTATORE Ø8 | ADAPTER Ø8 | ELX from 2211 |
| 21 | 0548877Z01 | 0C7179 | MANOPOLA TERMOST. VALVOLA | KNOB, GAS VALVE THERMOSTAT | ZAN |
| 21 | 0548872700 | 0C5252 | MANOPOLA TERMOST. VALVOLA | KNOB, GAS VALVE THERMOSTAT | OEM |
| 22 | 0548863303 | 0C2021 | MANOPOLA ACCENDITORE VALV. | KNOB. GAS VALVE IGNITER | ELX |
| 22 | 548878303 | 0C7181 | MANOPOLA ACCENDITORE VALV. | KNOB. GAS VALVE IGNITER | ZAN |
| 22 | 0548856603 | 0C0190 | MANOPOLA ACCENDITORE VALV. | KNOB. GAS VALVE IGNITER | OEM |
| 23 | 0548877401 | 0C7342 | GHIERA PER VALVOLA FORNO | KNOB RING. GAS VALVE OVEN | ELX |
| 23 | 0548879700 | 0C7241 | GHIERA PER VALVOLA FORNO | KNOB RING. GAS VALVE OVEN | ZAN, OEM |
| 24 | | | | | |
| 25 | 0538831100 | 0C6445 | GRIGLIA PROTEZIONE BULBO | GRILL, PROTECTION PROBE | |
| 26 | | | | | |
| 27 | 050389G501 | 0C7272 | PORTA FORNO | DOOR, OVEN | |
| 28 | 050389G600 | 0C7273 | CONTROPORTA | INNER DOOR OVEN | |
| 29 | 0560839601 | 0C0197 | ISOLAMENTO PORTA FORNO | INSULATION, OVEN DOOR | |
| 29a | 0560802101 | 0C2305 | ISOLAMENTO CIELO FORNO | INSULATION, OVEN TOP | |
| 30 | 051589A500 | 0C7274 | MANIGLIA FORNO | HANDLE, OVEN DOOR | ELX |
| 30 | 051589A601 | 0C7226 | MANIGLIA FORNO | HANDLE, OVEN DOOR | ZAN |
| 30 | 083089FY00 | 0C7946 | MANIGLIA FORNO | HANDLE, OVEN DOOR | OEM |
| * | 085589A300 | 0C7271 | ASSIEME PORTA FORNO | COMPLETE DOOR | ELX |
| * | 085589CH01 | 0C7276 | ASSIEME PORTA FORNO | COMPLETE DOOR | ZAN |
| * | 085589CQ00 | 0C7278 | ASSIEME PORTA FORNO | COMPLETE DOOR | OEM |
| 31 | 0835848100 | 0C0203 | CERNIERA PORTA FORNO | HINGE, OVEN DOOR | |
| 32 | 0205075423 | 052725 | COPRICERNIERA | HINGE COVER | |
| 33 | 051489AA00 | 0C6446 | GUIDA PER GRIGLIA FORNO | GRATE LEADING | |
| 33 | 051489AG00 | 0C6454 | GUIDA PER GRIGLIA FORNO | GRATE LEADING | AUSTRALIA |
| 34 | 0330260842 | 025020 | GRIGLIA FORNO | GRID; OVEN | |
| 34 | 856814402 | 0C6455 | GRIGLIA FORNO | GRID; OVEN | AUSTRALIA |
| 35 | 0500847401 | 054114 | SUOLA | SOLE | |
| 36 | 0315280702 | 050761 | COPERTURA FORO PILOTA | COVERING, PILOT | |
| 39 | 0522891100 | * | FONDO VANO 1200 MM | BOTTOM CUPBOARD 1200 MM | |
| 41 | 0522891200 | * | CELLA VANO | CELL CUPBOARD | |
| 42 | 0830898200 | 0C0201 | MAGNETE PORTA | MAGNET, DOOR | |
| 43 | 050389G300 | 0C7157 | PORTA SINISTRA | LEFT DOOR, CUPBOARD | |
| 44 | 050489CQ00 | 0C7158 | CONTROPORTA | INNER DOOR | |
| 45 | 051589A700 | 0C7164 | MANIGLIA PORTA SINISTRA | HANDLE, LEFT DOOR | ELX |
| 45 | 054887A800 | 0C8190 | MANIGLIA PORTA SINISTRA | HANDLE, LEFT DOOR | ZAN |
| 45 | 0854864203 | 0A5021 | MANIGLIA PORTA SINISTRA | HANDLE, LEFT DOOR | OEM |
| * | 085589CT01 | 0C7163 | ASSIEME PORTA VANO | COMPLETE DOOR | ELX |
| * | 085589CV00 | 0C7627 | ASSIEME PORTA VANO | COMPLETE DOOR | OEM |
| 46 | 0516860801 | 0C0138 | CERNIERA INFERIORE DESTRA | BOTTOM HINGE, RIGHT | |
| 47 | 0516860901 | 0C0139 | CERNIERA SUPERIORE DESTRA | TOP HINGE, RIGHT | |
| 48 | 0529835402 | 0C0165 | SUPPORTO CERNIERA FORNO | SUPPORT FOR HINGE, DOOR OVEN | |
| 50 | 0516860700 | 0C0137 | PIASTRA GIUNZIONE APPARECC. | JOINTING REAR PLATE | |
| 51 | 0870838206 | 0C0218 | FACCIATA FORNO 800mm | FRONT OVEN 800mm | |
| 51 | 0870838306 | 0C0219 | FACCIATA FORNO 1200mm | FRONT OVEN 1200mm | |
| 52 | 0529850500 | 0C0182 | PIASTRINA FACCIATA FIANCO | PLATE FRONT OVEN | |
| 53 | 0522882600 | * | INVOLUCRO FORNO | GAS OVEN SHELL | |
| 54 | 0522882700 | * | SCHIENALE FORNO GAS | REAR SIDE PANEL OVEN | |
| 56 | 0522891101 | * | FONDO VANO | BORROM PANEL TOP 800mm | |
| 56 | 05038A2600 | * | FONDO MONOBLOCCO 800mm | BOTTOM PANEL FREEST. 800mm | |
| 56 | 05038A2702 | * | FONDO MONOBLOCCO 1200mm | BOTTOM PANEL FREEST. 1200mm | |
| 56 | 50389WD00 | 0C7391 | FONDO GAS TOP | BOTTOM PANEL GAS TOP | m |
| 57 | 0543815000 | 059293 | GUARNIZIONE OR | GASKET OR | |

**TUTTAPIASTRA GAS E700XP
GAS SOLID TOP E700XP**

| <i>Pos</i> | <i>Factory Code</i> | <i>6DGT Code</i> | <i>Descrizione</i> | <i>Description</i> | <i>Ref./Note</i> |
|------------|---------------------|------------------|--------------------------------------|---------------------------------|------------------------|
| 70 | 0533825302 | * | ANTERIORE CAMINO FORNO | FRONT CHIMNEY OVEN | |
| 71 | 0533825401 | * | POSTERIORE CAMINO FORNO | REAR CHIMNEY OVEN | |
| 71 | 0533828100 | * | CAMINO TUTTA PIASTRA | CHIMNEY SOLID TOP | |
| 72 | 0533828001 | * | CAMERA COMBUSTIONE | COMBUSTION CHAMBER | |
| 72 | 0533828500 | * | CAMERA COMBUSTIONE SS 800 | COMBUSTION CHAMBER SS800 | |
| 73 | 0533828200 | * | ANTERIORE CAMINO | FRONT PANEL CHIMNEY | |
| 74 | 0543844000 | OC6971 | GUARNIZIONE | GASKET | |
| 79 | 0853864402 | OC0793 | RIBALTA TUTTAPIASTRA | MANIFOLD SOLID | |
| 79 | 0853864402 | OC0793 | RIBALTA TUTTAPIASTRA SU FORNO | MANIFOLD SOLIDTOP on OVEN | |
| 79 | 0853864502 | OC0794 | RIBALTA SIMPLESERVICE SU FORNO | MANIFOLD SIMPLE SERV. ON OVEN | |
| 79 | 0853883400 | OC2977 | RIBALTA TUTTAP. SIMPLE SERVICE | MANIFOLD SOLIDTOP SIMPLE SERV. | |
| 79 | 085589DP00 | OC7589 | RIBALTA 4B | MANIFOLD 4B | m |
| 80 | 0516863900 | OC0140 | FILTRO | FILTER | |
| 81 | 0835857201 | OC0205 | RUBINETTO GAS | GAS TAP | |
| 82 | 0853898400 | OC2978 | CONDUTTURA GAS BRUCIATORE | GAS PIPE, BURNER | |
| 82 | 0853895100 | OC2979 | CONDUTTURA GAS SIMPLE SERVICE | GAS PIPE, SIMPLE SERVICE | b, e, h, m |
| 83 | 0517898601 | OC3633 | CONDUTTURA PILOTA | GAS PIPE, PILOT | |
| 83 | 0517898701 | OC3639 | CONDUTTURA PILOTA 1200MM | GAS PIPE, PILOT 1200MM | b, e, h, m |
| 84 | 0214164400 | 052125 | RACCORDO PILOTA | PIPE FITTING PILOT PIPE | |
| 85 | 0215199700 | 052127 | BICONO RUBINETTO | DOUBLE CONE, GAS TAP | |
| 86 | 0517808700 | 059161 | BICONO PILOTA | DOUBLE CONE, PILOT | |
| 87 | 0511805801 | 059375 | PORTAUGELLO | INJECTOR HOLDER | |
| 88 | 0214105101 | 020997 | CONTRODADO PORTAUGELLO | LOCK NUT, INJECTOR HOLDER | |
| 89 | 510817900 | 004279 | BRUCIATORE | BURNER | a, c, d, f, g, i, j, k |
| 89 | 510817900 | 005502 | BRUCIATORE | BURNER | b, e, h, m |
| 90 | 0510818001 | 004280 | SPARTIFIAMMA | FLAME SPREADER | |
| 91 | 0506841000 | 054536 | DISCO PER BRUCIATORE | DISK, BURNER | |
| 93 | 0206993401 | 052116 | BOCCOLA | BUSH | |
| 94 | 0830884101 | 005503 | PILOTA | PILOT BURNER | |
| 95 | 0528866100 | OC6442 | SUPPORTO PILOTA | HOLDER PILOT | |
| 96 | 0831800500 | OC0202 | TERMOCOPPIA | THERMOCOUPLE | |
| 96 | 0830853101 | 051119 | TERMOCOPPIA | THERMOCOUPLE | b, e, h, m |
| 97 | 0214162000 | OC0121 | RACCORDO TERMOCOPPIA | PIPE FITTING, THERMOCOUPLE | |
| 98 | 0830863300 | 059380 | ELETTRODO | ELECTRODE | |
| 99 | 0214164101 | 057960 | RACCORDO ELETTRODO | PIPE FITTING, ELECTRODE | |
| 100 | 0835834900 | 002605 | ACCENDITORE PIEZO | PIEZOELECTRIC IGNITER | |
| 101 | 0638883500 | 006514 | CAVO | IGNITION CABLE | |
| 102 | 0541809000 | 002816 | COPERTURA PULSANTE PIEZO | COVER, PIEZO | |
| 103 | 0506833401 | 054029 | GUARNIZIONE UGELLO | GASKET, INJECTOR | |
| 104 | 0835868100 | OC2799 | CONDUTTURA ANTERIORE FUOCHI | PIPE, FRONTAL OPEN BURNER | |
| 105 | 0835868202 | OC2800 | CONDUTTURA POSTERIORE FUOCHI | PIPE, REAR OPEN BURNER | |
| 106 | 0544821000 | OC4192 | CONDUTTURA ANTERIORE PILOTA | PIPE, FRONTAL PILOT | Up to 3281 |
| 106 | 051589BJ00 | OC9553 | CONDUTTURA ANTERIORE PILOTA | PIPE, FRONTAL PILOT | From 3291 |
| 106 | 0544820900 | OC4193 | CONDUTTURA POSTERIORE PILOTA | PIPE, REAR PILOT | Up to 3281 |
| 106 | 051589BH00 | OC9552 | CONDUTTURA POSTERIORE PILOTA | PIPE, REAR PILOT | From 3291 |
| 107 | 0510823900 | OC3643 | RACCORDO INFERIORE PILOTA | INFERIOR PILOT JUNCTION | |
| 108 | 0835859300 | OC0209 | VALVOLA GAS MERTIK | GAS VALVE MERTIK | Up to 814 |
| 108 | 0835859302 | OC5247 | VALVOLA GAS MERTIK | GAS VALVE MERTIK | From 815 |
| 108 | 0835865602 | OC5250 | VALVOLA GAS MERTIK | GAS VALVE MERTIK | AUSTRALIA |
| 109 | 0515827401 | 053665 | BICONO | DOUBLE CONE | |
| 110 | 0510819003 | OC0124 | SUPPORTO VENTURI | SUPPORT, VENTURI | |
| 112 | 0510819103 | OC0125 | VENTURI 6 KW | VENTURI, 6 KW | |
| 115 | 0510819303 | OC0127 | CORPO BRUCIATORE 6KW | BURNER 6KW | |
| 117 | 0510819501 | OC0129 | SPARTIFIAMMA 6kW | FLAME SPREADER 6kW | |
| 118 | 0830884101 | OC7102 | PILOTA | PILOT BURNER | |

**TUTTAPIASTRA GAS E700XP
GAS SOLID TOP E700XP**

| <i>Pos</i> | <i>Factory Code</i> | <i>6DGT Code</i> | <i>Descrizione</i> | <i>Description</i> | <i>Ref./Note</i> |
|------------|---------------------|------------------|-------------------------------|---------------------------------|-------------------|
| 119 | 0831800500 | 0C0202 | TERMOCOPPIA | THERMOCOUPLE | |
| 120 | 0514862501 | 051950 | RACCORDO VALVOLA - RIBALTA | PIPE FITT. MAINFOLD - GAS VALVE | |
| 121 | 0215170716 | 050682 | OGIVA VALVOLA - RIBALTA | RING , MAINFOLD - GAS VALVE | |
| 122 | 0835857602 | 0C0208 | CONDUTTURA FORNO | PIPE, OVEN | |
| 123 | 0516869500 | 0C0149 | RACCORDO VALVOLA - COND.FORNO | PIPE FITTING, GAS VALVE - OVEN | |
| 124 | 0516869600 | 0C0150 | BICONO VALVOLA - COND.FORNO | DOUBLE CONE, GAS VALVE - OVEN | |
| 125 | 0514829301 | 0A2125 | DADO, CONDUTTURA FORNO | NUT, OVEN PIPE | |
| 126 | 0215073101 | 060325 | BICONO, CONDUTTURA FORNO | DOUBLE CONE, OVEN PIPE | |
| 127 | 0544820800 | 0C0153 | CONDUTTURA PILOTA | PIPE, PILOT | |
| 128 | 0831823400 | 0C3584 | BRUCIATORE FORNO | OVEN BURNER | |
| 129 | 0511805401 | 059250 | PORTAUGELLO | INJECTOR HOLDER | |
| 130 | 0214105101 | 020997 | CONTRODADO | LOCK NUT | |
| 131 | 0830827102 | 054085 | AREATORE | AREATOR | |
| 132 | 0830852501 | 020094 | TERMOCOPPIA FORNO | THERMOCOUPLE OVEN | |
| 133 | 0529836201 | 0C0171 | SQUADRETTA PILOTA | BRACKET, PILOT | |
| 134 | 0529836300 | 0C0172 | PROTEZIONE PILOTA | PROTECTION, PILOT | |
| 135 | 0533819600 | 0C3472 | PARAFIAMMA BRUCIATORE FORNO | FLAME SPREADER, OVEN | |
| 138 | 0533814300 | 0C2823 | CONVOGLIATORE BRUCIATORE | PROTECTION, BURNER | |
| 139 | 0529836000 | 0C0169 | CHIUSURA PER CONVOGLIATORE | PROTECTION TIGHTENER | |
| 140 | 0529836101 | 0C0170 | CHIUSURA PER BRUCIATORE | OVEN BURNER TIGHTENER | |
| 141 | 0525867300 | 0A5415 | PARAFIAMMA CAMERA COMB. | FIREPROOF COMBUSTION CHAMBER | |
| 142 | 0246519800 | 0C2356 | TAPPO PER RIBALTA | MANIFOLD STOPPER | |
| 143 | 0533828400 | * | PARETE SUP. CAMINO | UPPER PANEL, CHIMNEY | b, m, e, h |