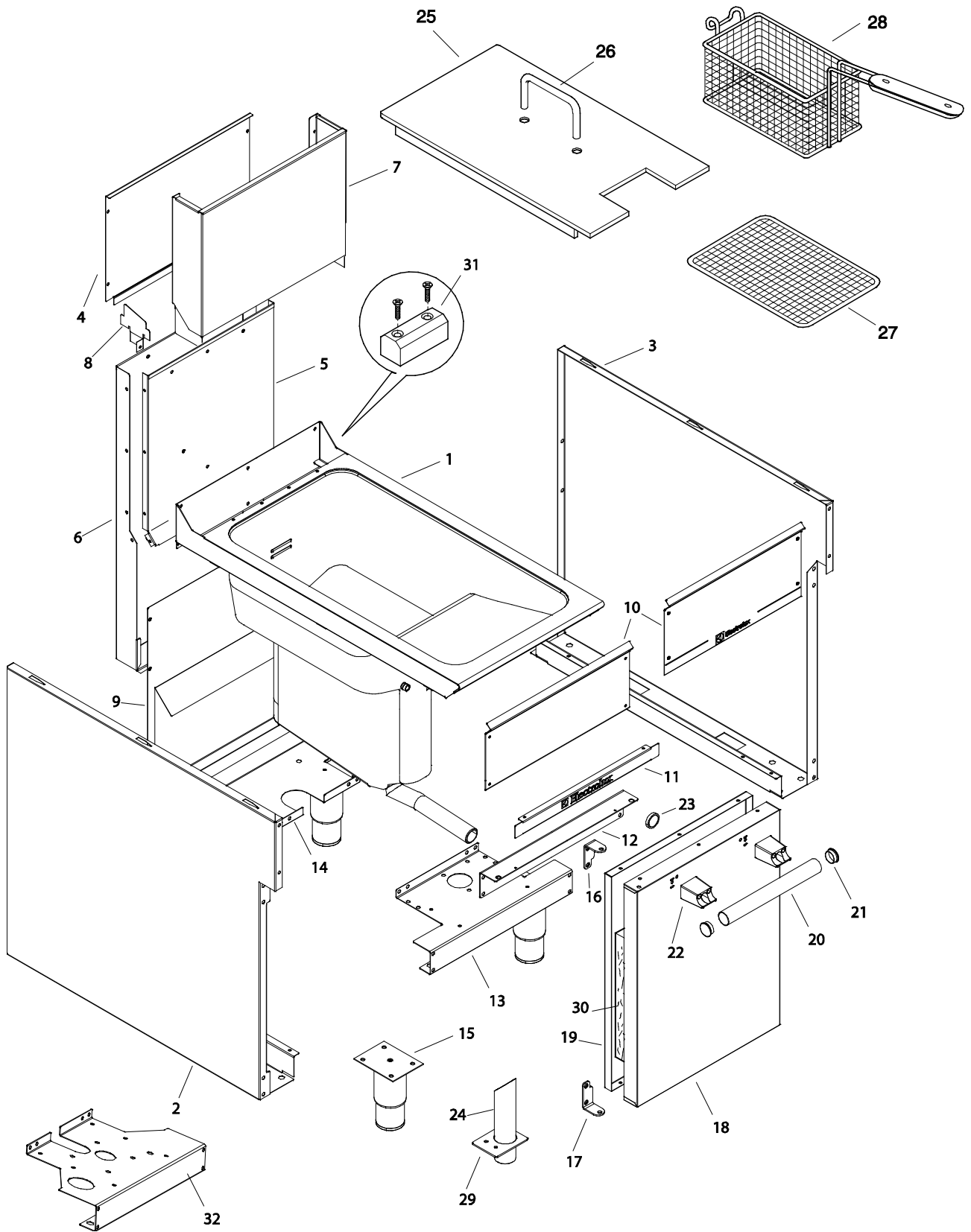
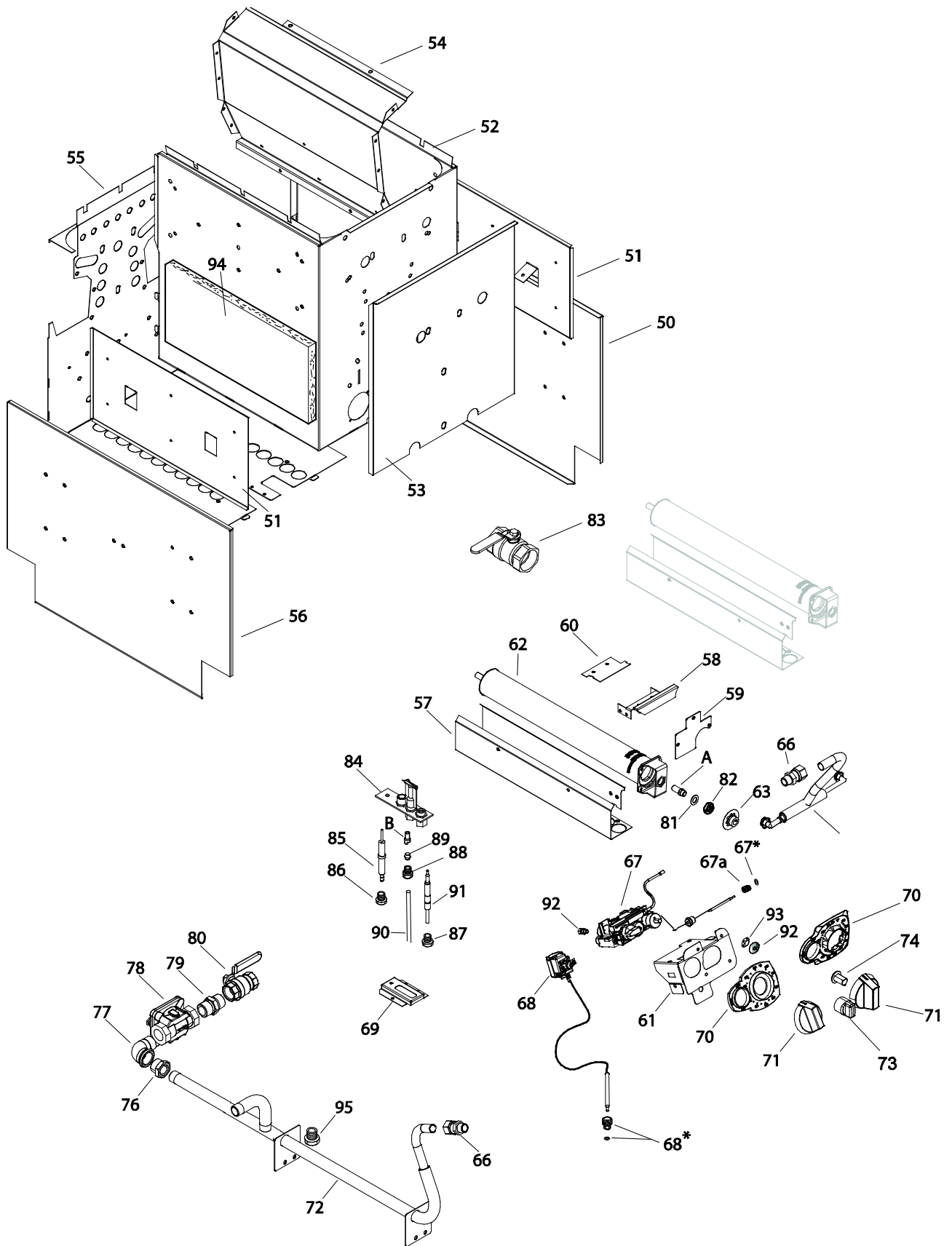

PNC	Model	Ref	Brand	Version	Notes
169010	AFRG16	a	ELX	GAS	FARENIGHT
169044	AFRG16W	b	ELX	GAS	CELSIUS
169109	AFRG16	c	ELX	GAS	FARENIGHT
169139	AFRG16W	d	ELX	GAS	CELSIUS

Pag	Index	Indice	Note
2	Frame	Struttura	
3	Gas components	Componenti Gas	
4,5	Spare parts list	Lista ricambi	





FRIGGITRICE 23L USA COMPACT
FRYER 23L USA COMPACT

<i>Pos</i>	<i>Factory Code</i>	<i>Spare Code</i>	<i>Descrizione</i>	<i>Description</i>	<i>Ref./Note</i>
1	875899B02	*	VASCA	WORKTOP / TANK	
2	5038A4400	*	FIANCO SINISTRO	LEFT PANEL	a b
2	50389AX02	*	FIANCO SINISTRO	LEFT PANEL	c d
3	50389AY01	*	FIANCO DESTRO	RIGHT PANEL	a b
3	50389AY02	*	FIANCO DESTRO	RIGHT PANEL	c d
4	50389BV00	*	SCHIENALE SUPERIORE	BACK PANEL	
5	50489A800	*	PARETE ANTERIORE CAMINO	FRONT CHIMNEY	
6	50489A701	*	PARETE POSTERIORE CAMINO	BACK CHIMNEY	
7	83089D900	0C7641	RIVESTIMENTO CAMINO	CHIMNEY COVERING	
8	50489FD00	*	STAFFA CAMINO	CHIMNEY SPACER	
9	50389BV00	*	SCHIENALE INFERIORE	INFERIOR BACK PANEL	
10	50389DQ00	*	CRUSCOTTO	FRONT PANEL	a b
10	5038AFQ00	0CA284	CRUSCOTTO	FRONT PANEL	c d
11	50389B300	0C6897	CRUSCOTTINO CON MARCHIO	INFERIOR FORNT PANEL	a b
12	504899X02	*	TRAVERSA	CROSSBEAM	
13	504899V02	*	SUPPORTO PIEDI ANTERIORE	FRONT FOOT SUPPORT	a b
14	50489JN00	*	SUPPORTO PIEDI POSTERIORE	BACK FOOT SUPPORT	a b
15	857761700	088026	PIEDE	FOOT	
16	516860901	0C0139	CERNIERA SUPERIORE	UPPER. HINGE, DOOR	
17	516860801	0C0138	CERNIERA INFERIORE	BOTTOM HINGE, DOOR	
18	50389B101	0C6906	PORTA	DOOR	
19	504899W00	0C6905	CONTROPORTA	INNER DOOR OVEN	
20	515899B01	0C6793	MANIGLIA	HANDLE	
21	530R01802	0C6823	TAPPO MANIGLIA	HANDLE STOPPER	
22	530R01702	0C6891	SUPPORTO MANIGLIA	HANDLE SUPPORT	
23	83089D900	0C7641	MAGNETE	MAGNET	
24	51589A200	*	SCARICO OLIO	OIL DRAINER	
25	529890101	0C0613	COPERCHIO	COVER	
26	511819000	0C0614	MANIGLIA COPERCHIO	HANDLE FOR COVER	
27	830884701	006130	GRIGLIA FONDO	GRID	
28	850894500	006133	CESTELLO	BASKET	
29	50589CJ00	*	FLANGIA SCARICO OLIO	OIL DRAINER FLANGE	a b
30	560873600	*	ISOLAMENTO PORTA	DOOR INSULATION	
31	50689A700	0C6733	PIASTRINA POSTERIORE	JOINTING REAR PLATE	
32	50489TF00	*	TRAVERSA	CROSSBEAM	c d
50	50489BD01	*	PANNELLO DESTRO	RIGHT PANEL FIREBOX	
51	50489BG00	*	PROTEZIONE ISOLAMENTO	INSULATION PROTECTION	
52	50489BD01	*	CAMERA DI COMBUSTIONE	FIREBOX	
53	50389DR00	*	PANNELLO ANTERIORE	FRON PANEL FIREBOX	
54	50489HQ00	0CA606	CONVOGLIATORE FUMI DX	SMOKE CONVEYOR, RIGHT	
54	50489HR00	0CA607	CONVOGLIATORE FUMI SX	SMOKE CONVEYOR, LEFT	
55	50489F700	*	FONDO CAMERA DI COMBUSTIONE	BACK PANEL FIREBOX	
56	50489F900	*	PANNELLO SINISTRO	LEFT PANEL FIREBOX	
57	50389DX00	*	CONVOGLIATORE DX	RIGHT CONVEYOR	
57	50389DY00	*	CONVOGLIATORE SX	LEFT CONVEYOR	
58	50589C700	*	CONVOGLIATORE GAS	GAS CONVEYOR	
59	50589CF01	*	CHIUSURA PILOTA	PILOT CLOSURE	
60	50689AV00	*	PARETE INFERIORE	INFERIOR WALL	
61	50489BC01	0C9238	PROTEZIONE VALVOLA	VALVE PROTECTION	a b
62	830823100	006127	BRUCIATORE	BURNER	a b
62	83089L900	0CA281	BRUCIATORE	BURNER	c d
63	830828001	054039	AREATORE	AREATOR	
65	83089HT00	*	TUBO BRUCIATORI	BURNER PIPE	
66	51489BL00	*	RACCORDO	JUNCTION	
67	835875S00	0C7969	VALVOLA GAS	GAS VALVE	Probe stopper already mounted
67*	543815000	059293	OR SONDA TERM.	O-RING GASKET THERM. PROBE	
67a	51489BJ00	0CA470	RACCORDO BULBO	JUNCTION	

**FRIGGITRICE 23L USA COMPACT
FRYER 23L USA COMPACT**

Pos	Factory Code	Spare Code	Descrizione	Description	Ref./Note
68	646817700	0C7975	TERMOSTATO SICUREZZA	SAFETY THERMOSTAT	a b
68	646817G00	0CA273	TERMOSTATO SICUREZZA	SAFETY THERMOSTAT	c d
68*	516801801	002076	PREMISTOPPA	PROBE STOPPER	
68*	543815600	002075	OR SONDA TERM. SIC.	O-RING GASKET SAFT.THERM. PROBE	
69	50589A900	0C9239	SUPPORTO PILOTA	PILOT SUPPORT	
70	548877300	0C7979	GHIERA MERTIK USA	RING KNOB MERTIK USA	a
70	54887AJ00	0C8470	GHIERA MERTIK STD	RING KNOB MERTIK STD	b
70	80589D800	0CA346	GHIERA MERTIK USA fahrenheit	RING KNOB MERTIK USA, F°	c
70	80589D700	0CA345	GHIERA MERTIK STD celsius	RING KNOB MERTIK STD, C°	d
71	511850D02	0C7330	MANOPOLA	KNOB	Up to to 224
71	54887AV00	0C8645	MANOPOLA	KNOB	From 225
72	83089HT00	0C9012	RIBALTA	GAS PIPE	
73	548863302	0C2021	MANOPOLA ACCENDITORE MERTIK	IGNITER KNOB MERTIK	a b
73	54887BJ01	0CA278	MANOPOLA ACCENDITORE MERTIK	IGNITER KNOB MERTIK	c d
74	54887AP00	0C8714	ADATTATORE DIAM. 8	ADAPTER DIAM. 8	a b c
76	230784304	0C6506	RIDUTTORE	REDUCER	
77	511850M00	0C6741	GOMITO	CURVE	
78	835850200	006135	REGOLATORE DI PRESSIONE	PRESSURE REGULATOR	Up to 5531...
78	835878R00	0CA484	REGOLATORE DI PRESSIONE	PRESSURE REGULATOR	d from 6011...
79	511850K00	0C6742	NIPPLIO	NIPPLE	
80	835850400	006137	RUBINETTO GAS	GAS TAP	
81	506833401	054029	GUARNIZIONE UGELLO	NOZZLE GASKET	
82	214105101	020997	DADO	NUT	
84	830828100	054032	PILOTA POLIDORO	PILOT BODY	Without components
85	330272401	052610	CANDELINA	ELECTRODE	
86	214164101	057960	RACCORDO CANDELINA	NUT ELECTRODE	
87	516801801	002076	RACCORDO TERMOCOPPIA	NUT THERMOCOUPLE	
88	214164400	052125	DADO CONDOTTO PILOTA	NUT FOR PILOT PIPING	
89	215199700	052127	OGIVA	OGIVE	
90	51589A400	0C7981	CONDUTTURA PILOTA	PILOT PIPING	
91	831818901	0C3162	TERMOCOPPIA INTERROTTA	THERMOCOUPLE	a b
91	83089L700	0CA280	TERMOCOPPIA INTERROTTA	THERMOCOUPLE	c d
92	541813800	0C6171	RONDELLA IN SILICONE	SILICONE WASHER	
93	218912211	069567	MOLLETTA PER GHIERA	RING, RING KNOB	
94	565816400	0C3476	ISOLANTE LATERALE	SIDE INSULATION	
94	565816300	0CA608	ISOLANTE INTERNO	INTERNAL INSULATION	
95	51489AW00	*	TAPPO	STOPPER	

A - Ugello bruciatore / Burner nozzle (a b c d)

Code	Spare Code	Reference
514856400	055459	Ø2,15 - G20
514853200	055388	Ø3,3 - Propane

B - Ugello pilota / Pilot nozzle (a b)

Code	Spare Code	Reference
514831500	054037-	2x 0,25 G20
514833900	054286	1x 0,25 Propane

B - Ugello pilota / Pilot nozzle (c d)

Code	Spare Code	Reference
51489DZ00	0CA275	2x 0,32 G20
514833900	054286	1x 0,25 Propane