

# THAWING 670 LT

Code	Model	Ref.	Page	Brand	Rel	Notes
190176	TC671DEU	o	2,3,4	ELUX	06	THAWING CABINET 670L 1 FULL DOOR EUROPE - KFC
190AOB	TC671DC	d	2,3,4	ELUX	00	1-DOOR THAWING CABINET 670L-OLD WILD WEST
<b>725115</b>	<b>TC671DUK</b>	<b>a5</b>	<b>2,3,4</b>	<b>ELUX</b>	<b>00</b>	<b>1-DOOR THAWING CABINET 670L-UK</b>
<b>725153</b>	<b>TC671DZXU2</b>	<b>a3</b>	<b>2,3,4</b>	<b>ELUX</b>	<b>00</b>	<b>THAWING CABINET 670L 208/60Hz-15 POSITIONS-USA</b>
<b>725154</b>	<b>TC671DUCB2</b>	<b>a4</b>	<b>2,3,4</b>	<b>ELUX</b>	<b>00</b>	<b>THAWING CABINET 670L 208/60Hz-10 POSITIONS-USA</b>
726675	TC671DEU	b	2,3,4	ELUX	12	THAWING CABINET 670L 1 FULL DOOR EU 10p
726676	TC671DUK	a	2,3,4	ELUX	12	THAWING CABINET 670L 1 FULL DOOR UK 15p
727505	TC671DRH	c	2,3,4	ELUX	12	THAWING CABINET 670L 1 FULL DOOR EU 15p
727506	TC671DN	d	2,3,4	ELUX	12	THAWING CABINET 670L 1 FULL DOOR 10p
727507	TC671DA	e	2,3,4	APX	12	THAWING CABINET 670L 1 FULL DOOR EU 10p
727541	TC671DC	r	2,3,4	ELUX	04	THAWING CABINET 670L 10 POS. + WHEELS
727542	TC671DPN	f	2,3,4	ELUX	09	THAWING CABINET 670L 1 FULL DOOR USA 208/60 hZ 15p
727544	TC671D60	l	2,3,4	ELUX	08	THAWING CABINET 670L 1 FULL DOOR 208/60 hZ 10p
727547	TC671DKU	g	2,3,4	ELUX	08	THAWING CABINET 670L 1 FULL DOOR USA 208/60 hZ 10p
727549	TC671DKC	i	2,3,4	ELUX	07	THAWING CABINET 670L 1 FULL DOOR 10p USA
727606	TC671DJ	m	2,3,4	ELUX	07	THAWING CABINET 670L JAPAN 100V 50hz 10p
727615	TC671DFR	d	2,3,4	ELUX	08	THAWING CABINET 670L 1 FULL DOOR 10p France
727620	TC671DC	h	2,3,4	ELUX	06	THAWING CABINET 670L 1 FULL DOOR 10p spa
727655	TC671DZXU	n	2,3,4	ELUX	05	THAWING CABINET 670L 208/60HZ ZaXBY'S USA 15p
727656	TC671DUCB	q	2,3,4	ELUX	02	THAWING CABINET 670L 10p 208/60Hz USA Cracker Barrel
727657	TC671DKU	v	2,3,4	ELUX	03	THAWING CABINET 670L 1 FULL DOOR USA 208/60 hZ 10p
727658	TC671DZXU	w	2,3,4	ELUX	04	THAWING CABINET 670L 208/60HZ ZaXBY'S USA 15p
727659	TC671DUCB	x	2,3,4	ELUX	04	THAWING CABINET 670L 10p 208/60Hz USA Cracker Barrel
727719	TC671DIT	s	2,3,4	ELUX	05	1-DOOR THAWING CABINET 670L
727721	TC671DJ2	p	2,3,4	ELUX	04	THAWING CABINET 670L JAPAN 100V 50/60hz, 10p + FEET
727725	TC671DJS	p	2,3,4	ELUX	04	THAWING CABINET 670L JAPAN 100V 50/60hz 10p Saizeriya + FEET
727764	TC671DD	t	2,3,4	ELUX	03	1-DOOR THAWING CABINET 670L EUROPE-KFC
727779	TC671DAC	u	2,3,4	ELUX	02	THAWING CAB. 670L 15 POSITIONS - KFC SPA
727939	TC671D60M	y	2,3,4	ELUX	00	1-DOOR THAWING CABINET 670L 220/60Hz
727940	TC671DCM	z	2,3,4	ELUX	00	1-DOOR THAWING CABINET 670L Marine
727976	TC671D6ME	j	2,3,4	ELUX	01	1-DOOR THAWING CABINET 670L 220/60Hz
727977	TC671D6M	k	2,3,4	ELUX	02	1-DOOR THAWING CABINET 670L R134a-220/60Hz-MARINE
727978	TC671D5M	a1	2,3,4	ELUX	02	1-DOOR THAWING CABINET 670L-R134a-MARINE
727997	TC671DC	a2	2,3,4	ELUX	00	1-DOOR THAWING CABINET 670L- 50Hz
<b>727998</b>	<b>TC671DZXU</b>	<b>a3</b>	<b>2,3,4</b>	<b>ELUX</b>	<b>01</b>	<b>THAWING CABINET 670L 208/60Hz-15 POSITIONS-USA</b>
<b>727999</b>	<b>TC671DUCB</b>	<b>a4</b>	<b>2,3,4</b>	<b>ELUX</b>	<b>02</b>	<b>THAWING CABINET 670L 208/60Hz-10 POSITIONS-USA</b>
<b>881255</b>	<b>TWHNDL</b>		<b>2</b>		<b>00</b>	<b>Handle for Thawing Cabinet</b>
<b>881286</b>	<b>SUPTH15US</b>		<b>2</b>		<b>00</b>	<b>SHELF SUPPORT FOR THAWING CABINET USA 15 POS (3" PITCH)</b>
<b>881287</b>	<b>SUPTH10US</b>		<b>2</b>		<b>00</b>	<b>SHELF SUPPORT FOR THAWING CABINET USA 10 POS (4.5" PITCH)</b>
<b>881290</b>	<b>SUPTH15EU</b>		<b>2</b>		<b>00</b>	<b>SHELF SUPPORT FOR THAWING CABINET USA 15 POS (3" PITCH)</b>
<b>881291</b>	<b>SUPTW10EU</b>		<b>2</b>		<b>00</b>	<b>SHELF SUPPORT FOR THAWING CABINET USA 10 POS (4.5" PITCH)</b>
P71334	TC671DUK	a	2,3,4	ELUX	04	THAWING CABINET 670L 1 FULL DOOR UK 15p
P71413	TC671DEU	b	2,3,4	ELUX	01	THAWING CABINET 670L 1 FULL DOOR EU 10p

**Pag.**

**Indice**

**Index**

2 Armadio porta intera  
3-4 Gruppo refrigerante (positivo)  
5-8 Lista ricambi

Cabinet with full doors  
Cooling unit ( refrigerated)  
Spare parts list

Rev.15

Marchio / Brand: **ELECTROLUX PROFESSIONAL-APX-To brand**  
Paese / Country: **all**

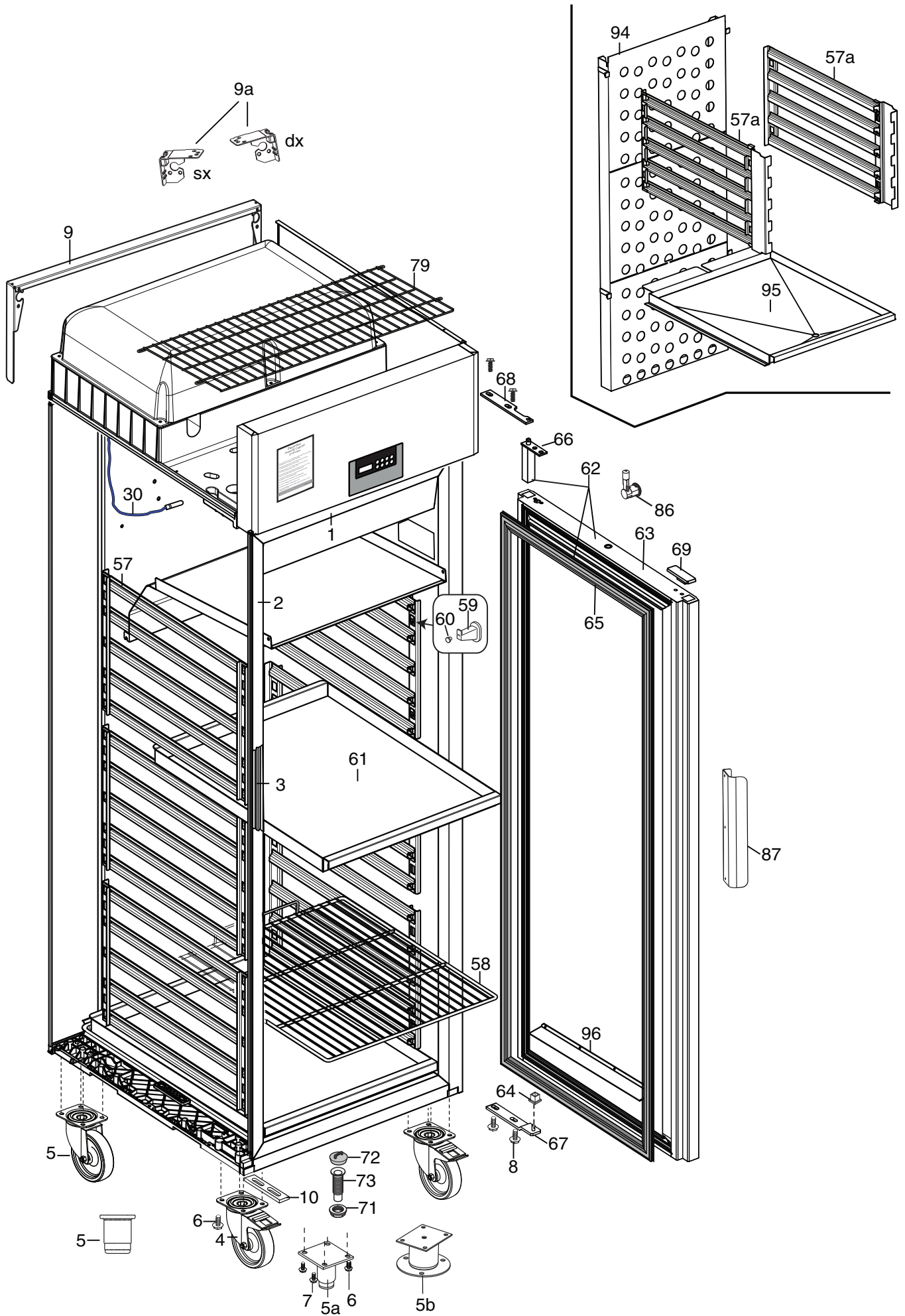
\* Componenti a richiesta \*Components on demand

Grassetto= variato compon. Bolt print = Change

Page:1

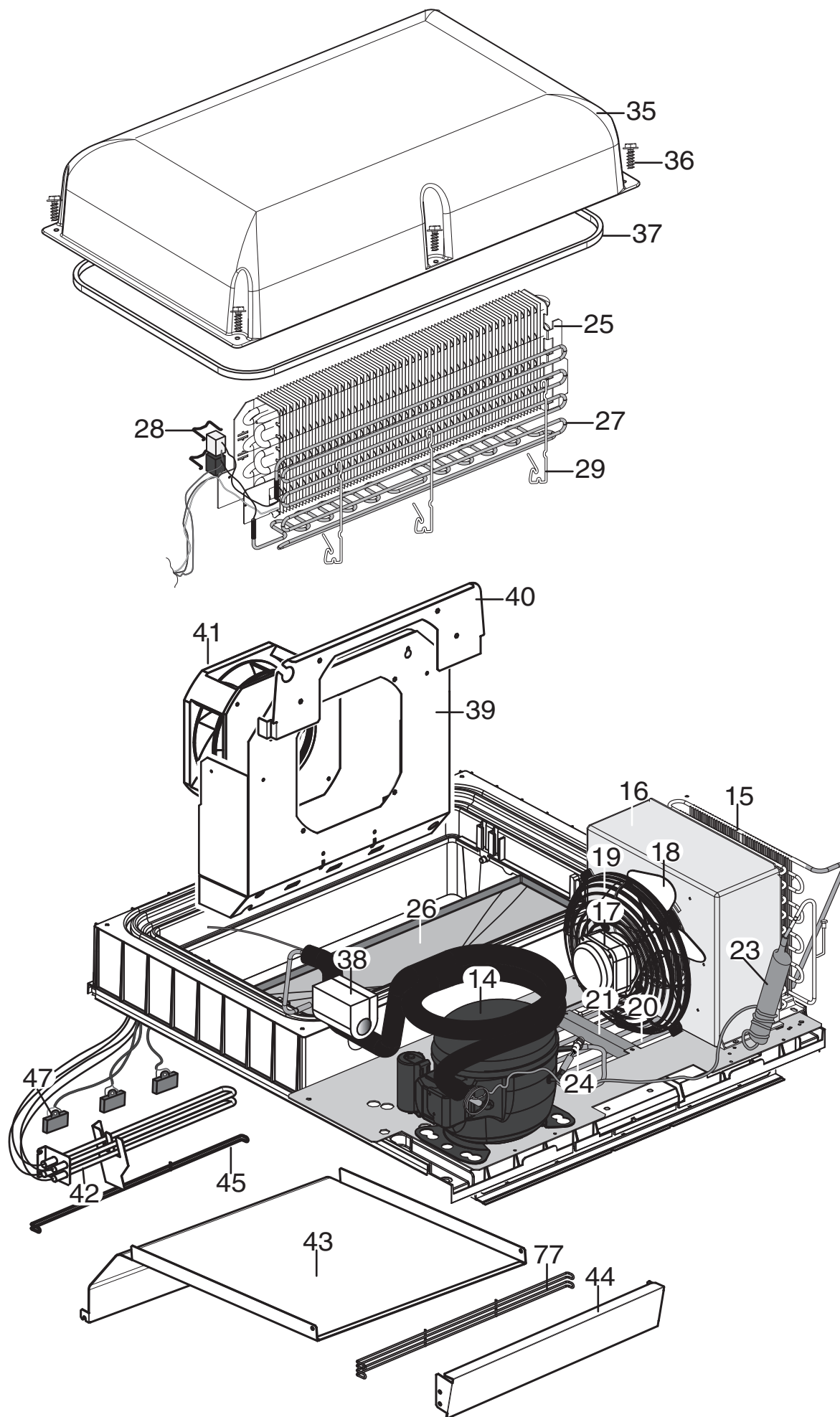
Ed. 01 28/05/2014  
Update 04/2022

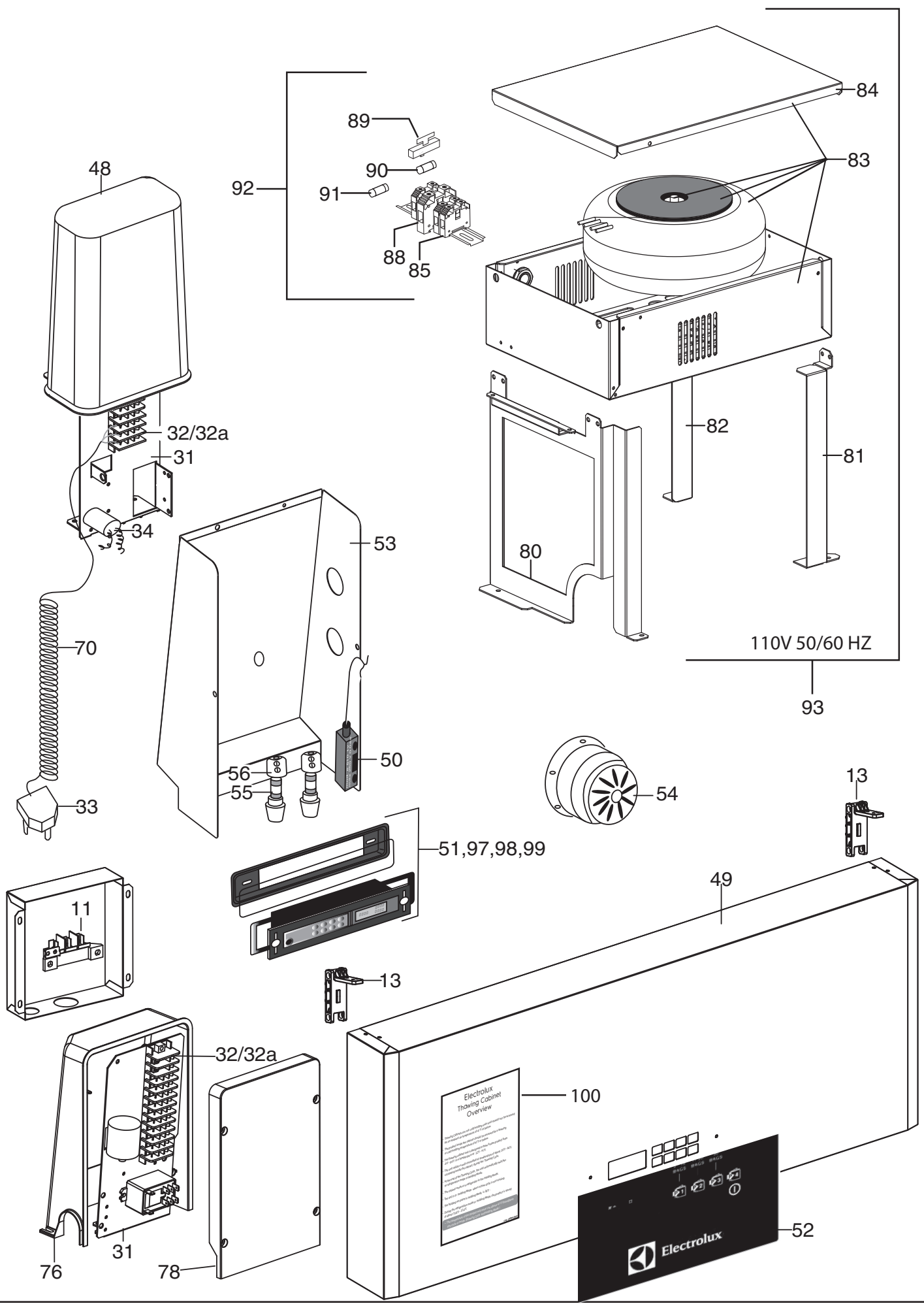
Doc. Nr.: **561000**



\* Componenti a richiesta  
\*Components on demand

Grassetto= variato comp.  
Bolt print = Change





\* Componenti a richiesta  
\*Components on demand

Grassetto= variato comp.  
Bolt print = Change

Pos	Spare parts code	Factory code	Descrizione	Description	References
1	093254	832R09001	Cornice orizzontale	Horizontal frame	
2	093255	832R09101	Cornice verticale	Vertical frame	
3	093361	617R07101	Cavo riscaldante	Hot frame cable	a,b,c,d,e,h,j,k,l,m,p,r,s,u,y,z,a1,a2,a5
3	094540	617R11801	Cavo riscaldante	Hot frame cable	f,g,i,n,q,v,w,x,a3,a4
4	087110	835739900	Ruota DERBY con freno	Wheel DERBY with brake	a,b,c,d,e,f,g,h,i,j,l,n,o,r,s,u,v,w,x,a2,a3,a4,a5
4	095051	518R07300	Ruota TENTE con freno	Wheel TENTE with brake	m
5	087111	835740000	Ruota DERBY senza freno	Wheel without brake	a,b,c,d,e,f,g,h,i,j,l,n,o,r,s,u,v,w,x,a2,a3,a4,a5
5	095050	518R07200	Ruota TENTE senza freno	Wheel without brake	m
5a	093243	541R05001	Piedino	Foot	k,y,z,a1
5b	0TTR11	518R04501	Piedino marine	Marine foot	k,y,z,a1
*	093825	546R28900	Piastra stampata per ruote h70	Plate for wheels h70	m,t
5	095220	518R08300	Piedino regolabile h84-125	Adjustable feet h84-125	p
6	093245	217555204	Vite per ruota	Wheel screw	
7	093246	518708601	Vite m8 x 20 superiore	Upper screw 8 x20	
8	094426	518708700	Vite m8 x 25 inferiore	Lower Screw 8 x25	
9	093247	502R17400	Staffa supporto fianchi	Upper side support	Up to 6441
9a	095202	546R34400	Staffa per calotta (dx e sx)	Support for evaporator cover (dx and sx)	
10	093248	546R27100	Distanziale estetico inferiore	Lower spacer	
11		639804901	Morsettieria 3 poli	Clamp	f,g,i,n,q,v,a3,a4
12	093609	832R10100	Cerniera superiore dx	Upper hinge "right"	
13	093610	832R10200	Cerniera superiore sx	Upper hinge "left"	
14	093206	684R05300	Compressore EMT6170ZA	Compressor EMT6170ZA	a,b,c,d,e,h,o,r,s,u,z,a1,a2,a5
14	093629	684R07900	Compressore NEK 6170Z	Compressor NEK 6170Z	f,g,i,n,q,v,a3,a4
14	093457	684R07200	Compressore NEK 6160Z	Compressor NEK 6160Z	j,k,l,m,p,y
15	093431	830R06601	Condensatore A FILI	Wiring condenser	a,b,c,d,e,h,j,k,l,m,p,r,s,u,y,z,a1,a2,a5
15	093499	830R05800	Condensatore A FILI 4R	Wiring condenser 4 R	o
15	093333	830R04900	Condensatore ALETTATO	Gas Condenser	f,g,i,n,q,v,a3,a4
16	093518	501R36701	Convogliatore condensatore	Condenser cover	60 HZ
16	093602	546R24200	Convogliatore condensatore	Condenser cover	
17	094407	856R24300	Assieme ventilatore	Condenser fan usa	f,g,i,n,q,v,a3,a4
17	094184	682R07700	Assieme ventilatore	Condenser fan	a,b,c,d,e,h,j,k,l,m,p,r,s,u,y,z,a1,a2,a5
18	089697	511708800	Ventola aspirante 230 31	Fan 230 31	a,b,c,d,e,h,r,s,u,z,a1,a2,a5
18	093365	511R01000	Ventola aspirante 230 34	Fan 230 34	f,g,i,n,o,q,v,a3,a4
18	082230	511700800	Ventola aspirante 230 28	Fan 230 28	j,k,l,m,p,y
19	089755	546709500	Griglia ventilatore condensatore	Fan protection	a,b,c,d,e,h,o,r,s,u,z,a1,a2,a5
19	094416	514R20200	Griglia ventilatore condensatore	Fan protection	f,g,i,n,q,v,a3,a4
19	0A8843	514711501	Griglia ventilatore condensatore	Fan protection	j,k,l,m,p,y
20	093259	515R12701	Serpentina gas caldo	Hot pipe for evaporation conden.	
21	093260	543R09300	Staffa fissaggio serpentina	Stopper hot pipe	
22	093507	858R06400	Ass. scambiatore per comp. EMT6170ZA	Heat exchanger for comp. EMT6170ZA	a,b,c,d,e,h,o,r,s,u,z,a1,a2,a5
22	093568	858R09200	Ass. scam. comp. NEK 6170Z+ 6160Z	Heat exchanger for comp. NEK 6170Z	f,g,i,j,k,l,m,n,p,q,v,y,a3,a4
23	099949	858R00100	Filtro gr 15	Filter gr 15	a,b,c,d,e,h,j,k,l,m,p,r,s,u,y,z,a1,a2,a5

Pos	Spare parts code	Factory code	Descrizione	Description	References
23	084078	805729802	Filtro gr 40	Filter gr 40	f,g,i,n,o,q,v,a3,a4
24	0A8171	A02021800	Valvola per compressore	Compressor valve "charge/disc./	
25	094408	830R10000	Evaporatore	Evaporator	f,g,i,n,q,v,a3,a4
25	094576	830R10600	Evaporatore	Evaporator	a,b,c,d,e,h,j,k,l,m,p,r,s,u,y,z,a1,a2,a5
25	093430	830R04101	Evaporatore 4R	Evaporator 4R	o
26	093469	546R19201	Vaschetta evaporatore	Evaporator basin	
27	093427	617R06002	Resistenza evaporatore con term.	Evaporator heating el.+thermost.	a,b,c,d,e,h,j,k,l,m,p,r,s,u,y,z,a1,a2,a5
28	093487	514R11601	Molla per termostati	Thermostat spring	a,b,c,d,e,h,j,k,l,m,o,p,r,s,u,y,z,a1,a2,a5
29	093508	514R11100	Molla per fissaggio resist. evapor.	Evap. spring for heating element	a,b,c,d,e,h,j,k,l,m,p,r,s,u,y,z,a1,a2,a5
30	092175	646R06700	Sonda cella	Cell probe	
30	092177	646R06700	Sonda cella	Cell probe	o
31	094409	502R55300	Supporto impianto elettrico	Electrical support	f,g,i,n,q,v,a3,a4
31		502R34400	Supporto impianto elettrico	Electrical support	a,b,c,d,e,h,l,m,o,r,s up to 7141
31	OTTMOI	503R14600	Supporto impianto elettrico	Electrical support	a,b,c,d,e,h,j,k,l,m,o,p,r,s,t,u,y,z,a1,a2,a5 from 7151
32	093599	639R10000	Morsettiera	Clamp	a,b,c,d,e,h,j,k,l,m,p,r,s,u,y,z,a1,a2,a5
32	093528	639R09900	Morsettiera	Clamp	f,g,i,n,q,v,w,x,a3,a4
32a	095786	856R21501	Cablaggio scatola elettrica	Electric box wiring	a,b,c,d,e,h,j,k,l,m,p,r,s,u,y,z,a1,a2,a5
<b>32a</b>	<b>096666</b>	<b>856R24101</b>	<b>Cablaggio scatola elettrica</b>	<b>Electric box wiring</b>	<b>a3,a4</b>
33	093180	639R09600	Convertitore spina UK	Adaptor power cable UK	a
34	059078	694502400	Filtro antisturbo	RFI filter	
35	093261	835R24101	Assieme Calotta schiumata	Evaporator foamed cover	up to 6181
35	095201	835R47601	Assieme Calotta schiumata	Evaporator foamed cover assy	from 6191
36	093245	217555204	Vite senza punta per calotta	Screw for evaporator cover	
37	093262	1470R003	Neoprene espanso per calotta	Gasket for evaporator cover	a,b,c,d,e,f,g,h,i,j,l,m,n,o,r,s,t,u,a5
38	093263	546R19702	Tamponcino cavi evaporatore	Seal wiring cable evaporator	
39	094411	501R94002	Supporto ventilatore evaporatore	Evaporator fan support	
40	094412	501R94200	Fissaggio sup. ventilatore evap.	Upper fixing support for fan evap.	
41	094410	856R24601	Ventilatore centrifugo	Centrifugal fan	
42	091430	617R02002	Resistenza 750W 230V	Heating element 750W 230V	a,b,c,d,e,h,j,k,l,m,p,r,s,u,y,z,a1,a2,a5
42	094405	617R11900	Resistenza 650W 208V	Heating element 650W 208V	f,g,i,n,v,a3,a4
43	094413	501R94300	Convogliatore aria	Air conveyor	
44	094822	501R94100	Copertura frontale aria	Air front cover	
45	094011	514R15801	Griglia di protezione posteriore	Back protection grid	
46	094011	514R15801	Griglia di protezione frontale	Griglia di protezione frontale	
47	094414	856R24400	Ass.Termostato ELTH +40 +30	Safety thermostat +40 +30	f,g,i,n,q,v,a3,a4
47	088567	648727000	Ass.Termostato ELTH +40 +30	Safety thermostat +40 +30	a,b,c,d,e,h,j,k,l,m,o,p,r,s,u,y,z,a1,a2,a5
48	093264	541R04801	Copertura impianto elettrico	Electrical cover	up to 6441
48	094425	546R26501	Coperchio impianto elettrico	Electrical cover	from 6451
48	093976	546R26701	Scatola impianto elettrico	Electrical box	from 6451
49	094012	833R26101	Cruscotto senza componenti	Control panel without components	

Pos	Spare parts code	Factory code	Descrizione	Description	References
49	096562	833R44900	Cruscotto senza componenti cn serratura	Control panel without components with lock	j,k,a1,a3,a4
*	094248	877R71701	Cruscotto con componenti OLD WILD WEST	Control panel with compon. OLD WILD WEST	a,d,h,l,r,s,u,y,z,a5
*	*	877R92900	Cruscotto con componenti con serratura	Control panel with compon. with lock	j,k,a1,a2
*	*	877R88701	Cruscotto con componenti con serratura	Control panel with compon. with lock	a3,a4
50	083881	640708100	Micro magnetico per porta	Door micro switch	
51	094013	646R12400	Termoregolatore 230v	Controller 230v	a,b,c,d,e,h,j,k,l,m,o,p,r,s,u,y,z,a1,a2,a5
51	094415	646R12502	Termoregolatore 208v	Controller 208v	f,g,i,n,q,v,w,x,a3,a4
52	094014	755R07802	Membrana adesiva di controllo	Sticker control	a,t
52	094251	755R08102	Membrana adesiva di controllo	Sticker control	c
52	094245	755R08802	Membrana adesiva di controllo	Sticker control	b,d,h,j,k,l,m,o,p,r,s,t,u,y,z,a1,a2,a5
52	095305	755R10201	Membrana adesiva di contr. 7 programmi	Sticker control 7 programmes	f,g,i,n,q,v, a3,a4
52	094246	755R08900	Membrana adesiva di controllo	Sticker control	e
53	094485		Protezione controllore	Controller protection	
54	094244	655R01200	Avvisatore acustico	Buzzer	a,b,c,d,e,h,j,k,l,m,o,r,s,t,u,y,z,a1,a2,a5
54	094417	655R01600	Avvisatore acustico UL	Buzzer UL	f,g,i,n,q,v,w,x,a3,a4
55	094427	639R15000	Portafusibile ul 414-601	Fuse support ul 414-601	f,g,i,j,l,v,a3,a4
55	091981	639R05000	Portafusibile 10A 250V	Fuse support 10A 250V	a,b,c,d,e,h,r,s,t,u,z,a1,a5
56	094015	652R00700	Fusibile 5X20 125 MA	Fuse 5X20 125 MA	a,b,c,d,e,h,j,k,l,o,r,s,t,u,y,z,a1,a2,a5
56	090094	652703000	Fusibile 5X20 125 MA	Fuse 5X20 125 MA	f,g,i,n,q,v,a3,a4
57	094207	833R25803	Cremagliera dx e sx 15 posizioni	Right and left rack sup. 15 posit.	a,h,j,u,a2
57	094247	833R25903	Cremagliera dx e sx 10 posizioni	Right and left rack sup. 10 posit.	b,d,e,l,m,o,p,r,s,t,a5
57	094250	833R28401	Cremagliera dx e sx 10 posizioni	Right and left rack sup. 10 posit.	c
57a	094541	833R29903	Cremagliera dx e sx 15 posizioni usa	Right and left rack sup. 15 posit. usa	f,n,w,a3
57a	094476	833R30302	Cremagliera dx e sx 10 posizioni usa	Right and left rack sup. 10 posit.usa	g,i,k,q,v,x,y,z,a1,a4
58	081883	514702003	Griglia 650X530	Shelve	For all prod. always For b up to 6441
58	095020	514R23702	Griglia GN2/1 Germania	Shelve GN2/1	For b,o from 6451
59	090214	546710300	Supporto cremagliera H12	Rack support	
60	083839	546704200	Tappo per supporto cremagliera	Plig rack support	
61	094018	501R93900	Vassoio divisorio	Tray	a,b,c,d,e,f,g,h,i,l up to 6441
61	095425	502R91600	Vassoio divisorio	Tray	a,b,c,d,e,f,g,h,j,l,o,r,s, u,a2 from 6451
61	095406	503R04500	Vassoio divisorio	Tray	i from 6451
61	095304	503R19400	Vassoio divisorio THAWING ZAXBY'S s/a foro	Tray THAWING ZAXBY'S whitout hole	k,n,q,t,v,y,z,a1,a3,a4a5
61	095073	503R04602	Vassoio divisorio	Tray	m,p
62	094419	835R36303	Porta assemblata	Door assembly	a,b,c,d,e,h,l,m,o,p,r,s,u,y,z,a5
62	094420	835R42602	Porta assemblata usa	Door assembly usa	f,g,i,n,q
62	095748	882R51900	Porta assemblata ribassata usa	Lowered door assembly usa	t,v,w,x
62	096556	835R74702	Porta assemblata con serratura	Door assembly with lock	j,a2
62	096571	883R27101	Porta assemblata con serratura	Door assembly with lock	k,a1
62	096665	883R37300	Porta assemblata con serratura e deflettore	Door assembly with lock and deflector	a3,a4

Pos	Spare parts code	Factory code	Descrizione	Description	References
63	094421	835R36003	Porta	Door	a,b,c,d,e,h,l,m,p,r,s,u,y,z,a5
63	*	835R42701	Porta	Door	f,g,i,n,q
63	*	835R69301	Porta	Door	t,v,w,x
63	*	835R74601	Porta	Door	j,a2
63	*	835R76201	Porta	Door	k,a1
63	*	835R76901	Porta	Door	a3,a4
64	081654	544700601	Boccola per porta	Busch for door	
65	094422	548R10300	Guarnizione porta USA	Door gasket usa	f,g,i,k,n,q,t,v,w,x,a1,a3,a4
65	093257	548R06802	Guarnizione porta	Door gasket	1570x610 mm Up to 47/2019
65	094152	548R08000	Guarnizione porta	Door gasket	1595x610 mm Up to 47/2019
65	094152	548R08000	Guarnizione porta	Door gasket	1595x610 mm From 48/2019
66	082219	835704001	Cerniera (inserto corto)	Hinge door	
67	093341	833R21600	Staffa inferiore	Lower bracket door	
68	082257	505723802	Staffa superiore	Upper bracket door	
69	093271	541R05300	Tappo fori porta	Plug door	
70	094423	A02060702	Cavo alimentazione spina SCHUKO	Power cable with SCHUKO plug	c,d,e,u
70	094823	634R02900	Cavo alimentazione spina UK	Power cable with UK plug	a,o,a5 - with 13A fuse
70		634R00900	Cavo alimentazione senza spina	Power cable without plug	l,r,y,z
70		634702901	Cavo alimentazione spina GEWISS	Power cable with GEWISS plug	b,d
71	081797	544701400	Controdado	Nut	d,e,h,i,j,k,l,m,n,p,q,r,s,u,y,z,a1,a2,a3,a4,a5
72	085535	545733700	Tappo	Plug	d,e,h,i,j,k,l,m,n,p,q,r,s,u,y,z,a1,a2,a3,a4,a5
73	093714	546R26000	Piletta	Pipe	d,e,h,i,j,k,l,m,n,p,q,r,s,u,y,z,a1,a2,a3,a4,a5
74	094424	502R55201	Copertura morsettiere usa	Back cover clamp	f,g,i,n,q,v,a3,a4
75	099869	646765300	Tappo fusibile alta pressione	Pressure plug fuse	f,g,i,n,q,v,a3,a4
76	093976	546R26701	Ass. scatola elettrica	Electrical box protection	f,g,i,n,o,q,v,a3,a4
77	094390	501R95201	Filtro aspirazione thawing	Protection	c,d,e,f,g,i,j,l,n,m,q,r,s,v,a2,a3,a4,a5
77	095021	502R91700	Filtro aspirazione thawing	Protection	a,b,d,h,k,o,p,r,s,t,u,y,z,a1,a5
78	094425	546R26501	Coperchio scatola elettrica	Cover electrical box	f,g,i,n,o,q,v,a3,a4
79	094542	514R20001	Griglia protezione gruppo	Cooling Protection	f,g,i,n,q,v,a3,a4
80		502R78101	Supporto sx box trasformatore	Left support v oltagge adapter box	m,p
81		502R78401	Supporto ant. dx box trasformatore	Front right support voltage adapter box	m,p
82		502R78502	Supporto post. dx box trasformatore	Back right support voltage adapter box	m,p
83	095602	835R52301	Assieme box trasformatore (Box trasformatore + Coperchio + Barra filettata M10 L=260 + Tappo di fissaggio + Trasformatore 100/230V 2500VA)	Voltage adapter box assembly (Voltage adapter box + Cover + Threaded rod + Stopper + Voltage adapter 100/230V 2500VA)	m,p
84		502R78301	Coperchio trasformatore	Cover voltage adapter box	m,p
85	089994	A02033100	Morsetti	Terminal, clamps	m,p
86	093433	833R21100	Serratura	Lock	j,a2,a3,a4
87		504R35100	Maniglia	Handle	a3,a4
88	094825	639726500	Morsetto giallo verde	Ground terminal	m,p
89	083506	639714300	Porta fusibile	Fuse support	m,p
90	094719	652R00900	Fusibile CH10 AM 25A (10,3X38)	Fuse CH10 AM 25A (10,3X38)	m,p
91	094835	652R01000	Fusibile CH10 AM 10A (10,3X38) 500V	Fuse CH10 AM 10A (10,3X38) 500V	m,p



Pos	Spare parts code	Factory code	Descrizione	Description	References
92	095797	857R35600	Assieme morsettiera	Clamp assembly	m,p
<b>93</b>	<b>095034</b>	<b>857R27405</b>	<b>Assieme scatola trasformatore</b>	<b>Voltage adapter box</b>	<b>m,p</b>
94	094959	833R35801	Convogliatore 15 teglie per schienale	Back air 15 positions conveyor	j,n,u,a2,a3
94	095306	833R35501	Convogliatore 10 teglie per schienale	Back air 10 positions conveyor	i,k,q,t,v,y,z,a1,a4,a5
95		503R04500	Vassoio inferiore con foro	Tray with hole	n
96	0TT0B5	502R94900	Deflettore porta	Door deflector	i,n,q
96	095747	503R50500	Deflettore porta	Door deflector	g,v,w,x,a3,a4 up to 2021/11
<b>96</b>	<b>096664</b>	<b>503R50501</b>	<b>Deflettore porta</b>	<b>Door deflector</b>	<b>g,v,w,x,a3,a4 from 2021/12</b>
97	092665	639R07000	Connettore PHOENIX 5 vie passo 5,0	Connector 5 ways (order 2 pieces)	
98	095244	639723400	Connettore PHOENIX MSTB2.5/6-ST 6 vie P.5.0	Connector 6 ways	
98	094016	639R03300	Connett. Phoenix 6 vie P 5.0	Connector 6 ways	
99	091682	639R04400	Connettore PHOENIX 4 via passo5,0	Connector 4 ways	
100	096667	595R42100	Adesivo informativo	Sticker Thawing overview	a3,a4